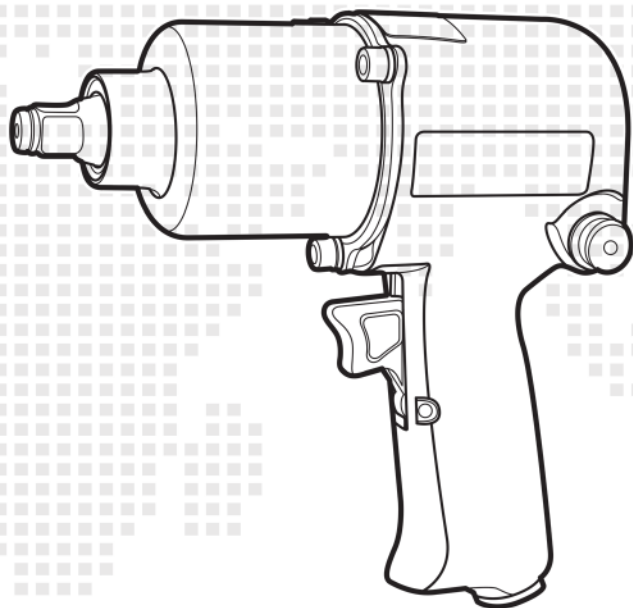


CROWN

TOOLS FOR A BETTER LIFE

- CT38112
- CT38113
- CT38115
- CT38114
- CT38085
- CT38116
- CT38083
- CT38084



en Original instructions

fr Notice originale

es Manual original

pt Manual original

tr Orijinal işletme talimatı

ru Оригинальное руководство по эксплуатации

ua Оригінальна інструкція з експлуатації

kz Пайдалану нұсқаулығының түпнұсқасы

ar دليل استعمال تاميعة

fa دفترچه راهنمای اصلی



English

Explanatory drawings	pages 4 - 12
General safety rules, instructions manual	pages 13 - 18
CROWN warranty	page 73
Warranty card and service cards	pages 84 - 86

Français

Dessins explicatifs	pages 4 - 12
Recommandations générales de sécurité, mode d'emploi	pages 19 - 24
Garantie CROWN	page 74
Garantie coupon et cartes de service	pages 84 - 86

Español

Dibujos explicativos	páginas 4 - 12
Recomendaciones generales de seguridad, manual de instrucciones	páginas 25 - 30
Garantía CROWN	página 75
Tarjetas de mantenimiento y cupón de garantía	páginas 84 - 86

Português

Esboços explicativos	páginas 4 - 12
Recomendações gerais de segurança, manual de instruções	páginas 31 - 36
Garantia CROWN	página 76
Cupão da garantia e cartões de reparação	páginas 84 - 86

Türkçe

Açıklayıcı resimler	sayfalar 4 - 12
Genel güvenlik tavsiyeleri, kullanım kılavuzu	sayfalar 37 - 42
CROWN garanti koşulları	sayfa 77
Garanti kuponu ve servis kartları	sayfalar 84 - 86

Русский

Пояснительные рисунки	страницы 4 - 12
Общие указания по ТБ, инструкция по эксплуатации	страницы 43 - 49
Гарантия CROWN	страница 78
Гарантийный талон и сервисные талоны	страницы 84 - 86

Українська

Пояснювальні малюнки	сторінки 4 - 12
Загальні вказівки по ТБ, інструкція з експлуатації	сторінки 50 - 55
Гарантія CROWN	сторінки 79
Гарантійний талон і сервісні талони	сторінки 84 - 86

Қазақ тілі

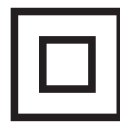
Түсіндіргіш әлеміштер	беттер 4 - 12
Жалпы қауіпсіздік жөніндегі ұсыныстар, пайдалану нұсқаулығы	беттер 56 - 61
CROWN кепілдігі	бет 80
Гарантиялы талон және қызмет көрсету карталары	беттер 84 - 86

عربي

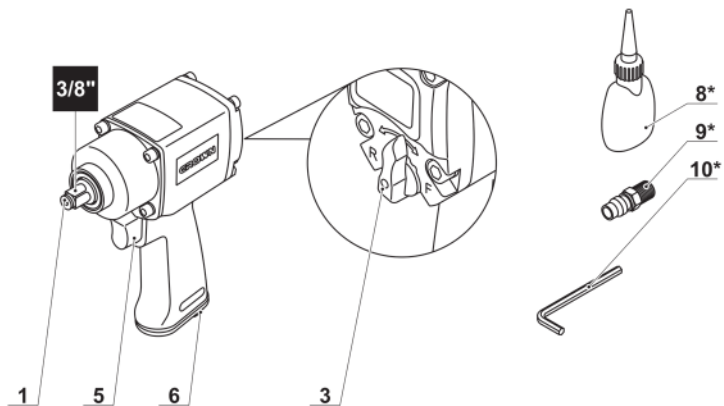
رسوم توضيحية	الصفحات 4 - 12
قواعد السلامة العامة، دليل التعليمات	الصفحات 62 - 66
CROWN ضمان	الصفحات 81
بطاقة الضمان وبطاقات الخدمة	الصفحات 84 - 86

فارسی

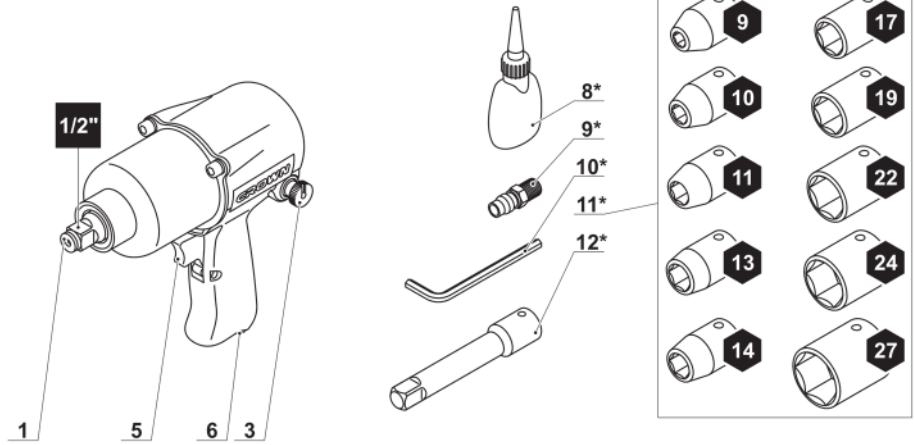
اشکال توضیحی	صفحه های 4 - 12
قوانین ایمنی کلی، دفترچه دستورالعمل ها	صفحه های 67 - 72
CROWN ضمانت	صفحه های 82
کارت های ضمانت و خدمات	صفحه های 84 - 86



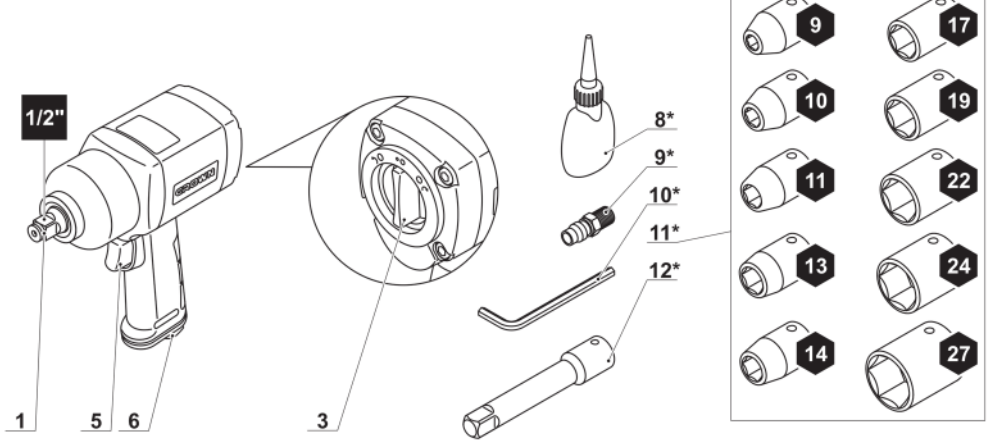
CT38112



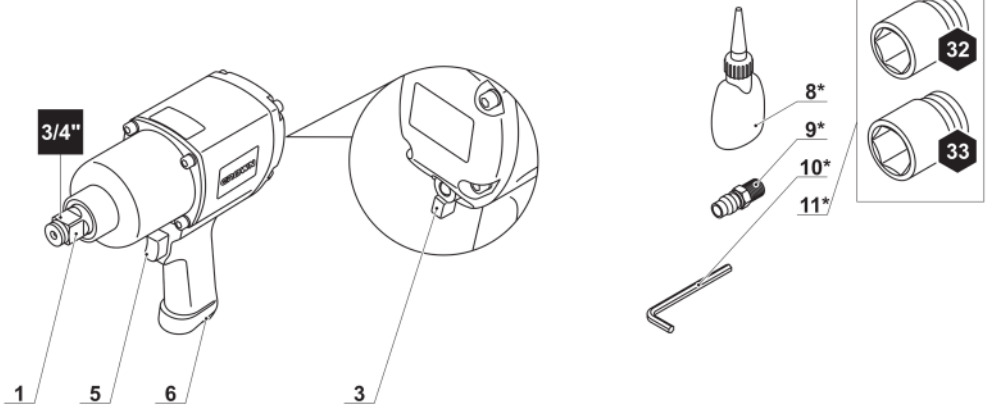
CT38113



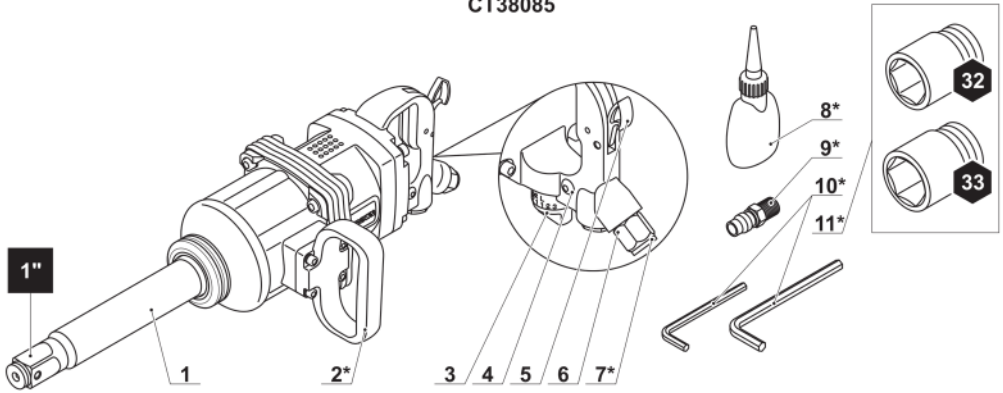
CT38115



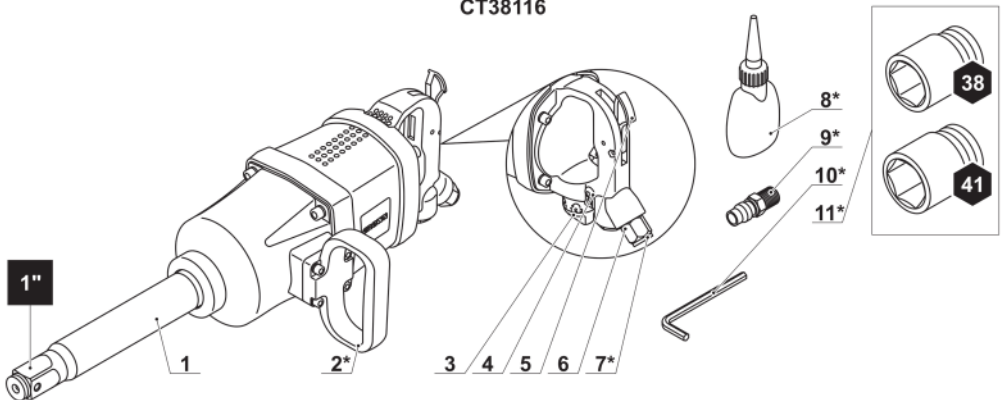
CT38114



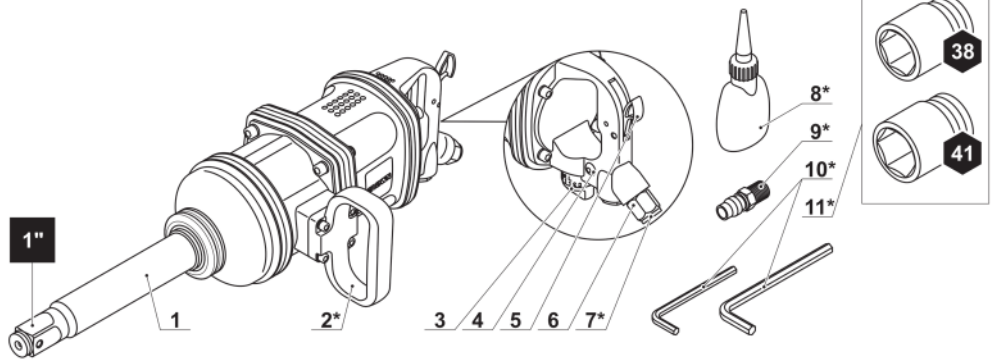
CT38085



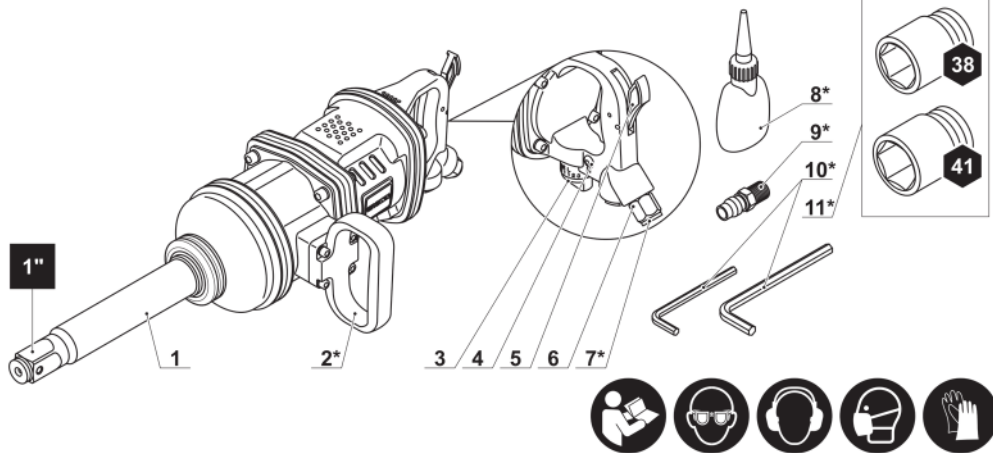
CT38116



CT38083



CT38084

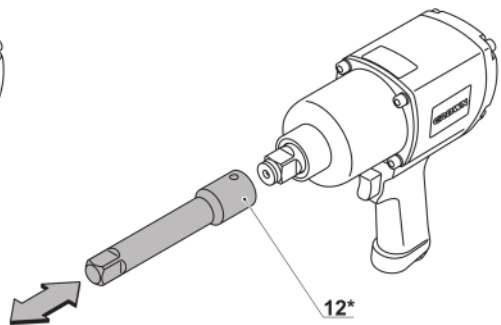
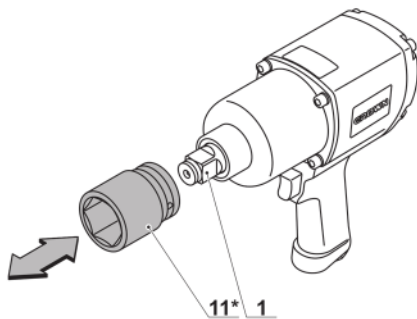


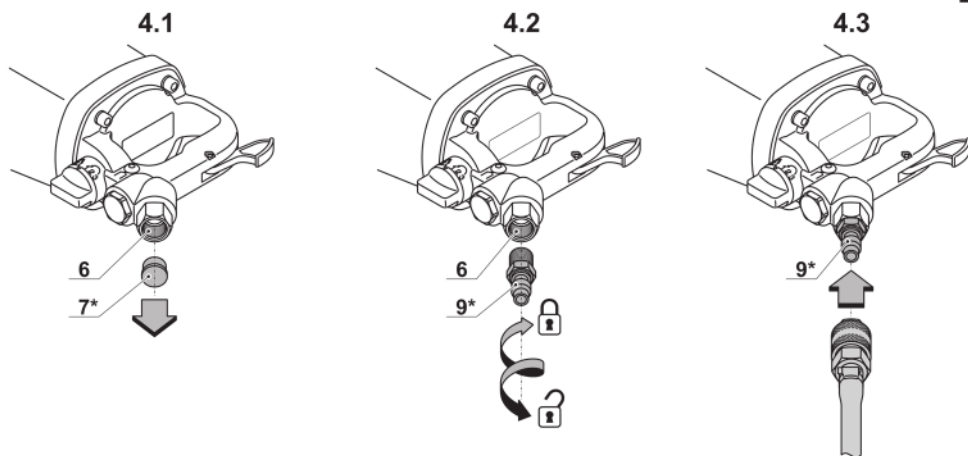
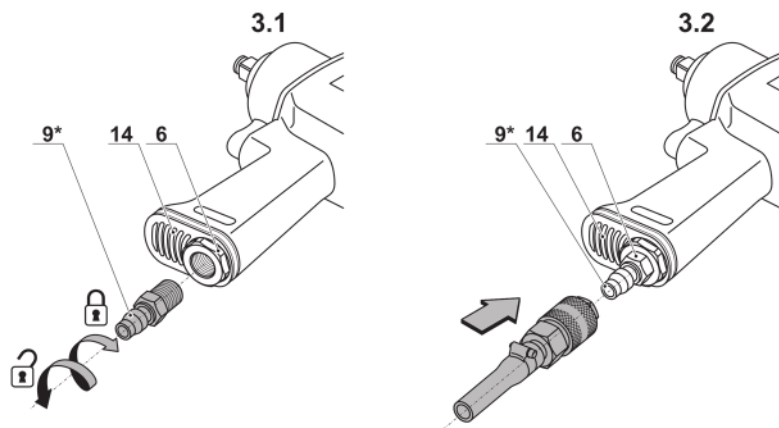
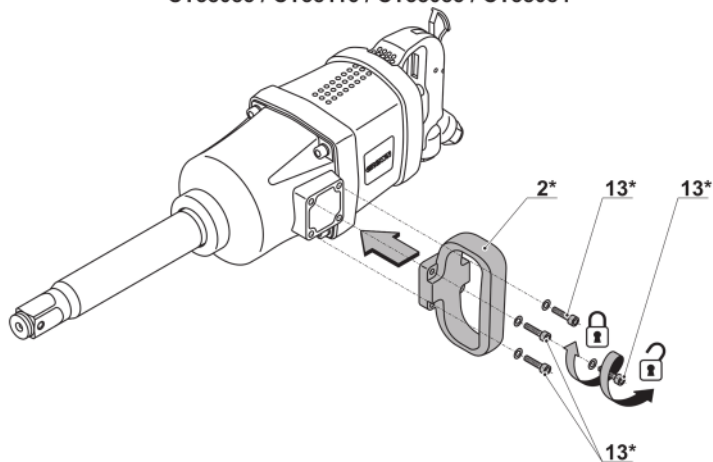
CT38113 / CT38115

1

1.1

1.2





CT38112

CT38113

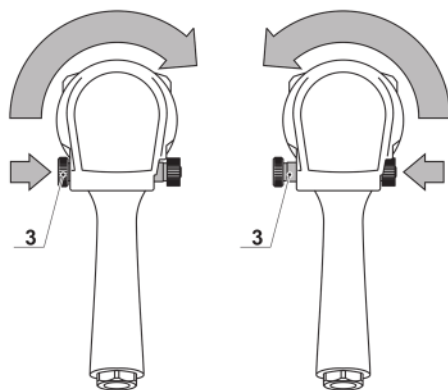
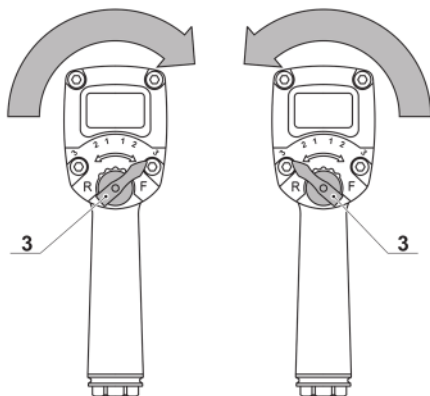
5

5.1

5.2

5.3

5.4



CT38115

CT38114

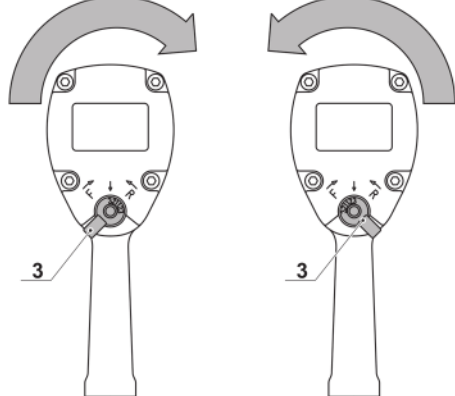
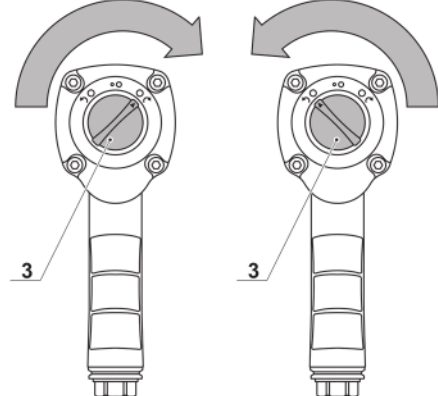
6

6.1

6.2

6.3

6.4

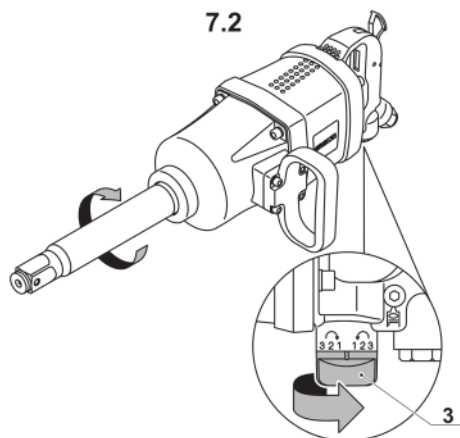
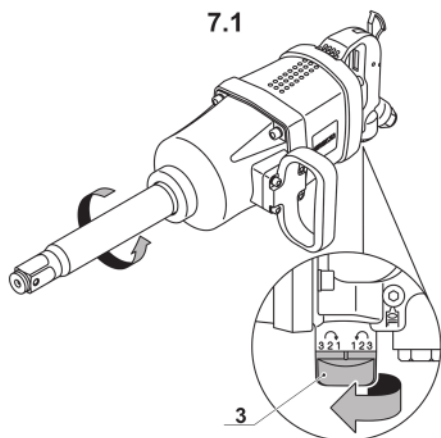


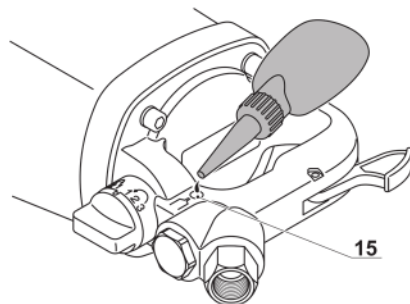
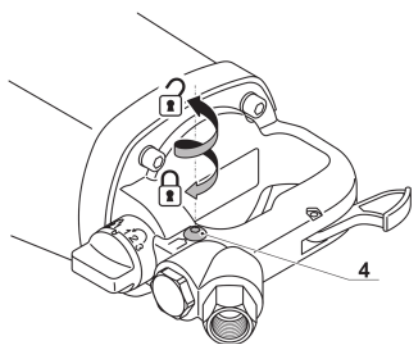
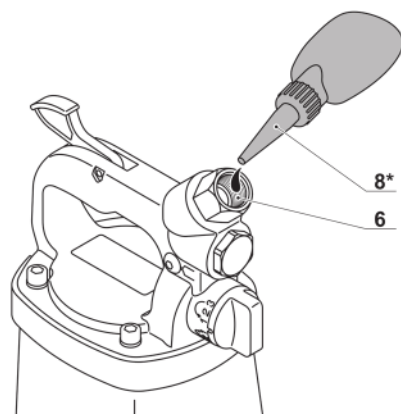
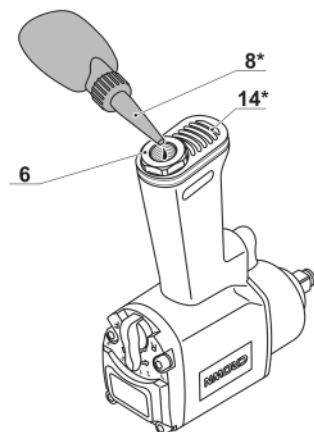
CT38085 / CT38116 / CT38083 / CT38084

7

7.1

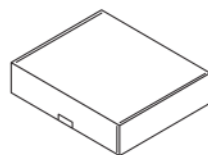
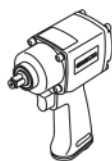
7.2





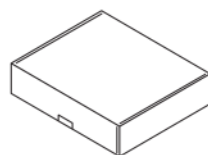
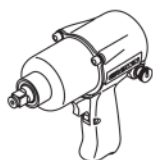
CT38112

EAN : 7640177421333



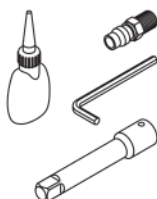
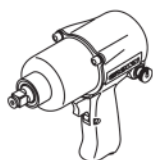
CT38113

EAN : 7640177421340



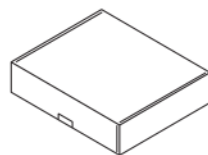
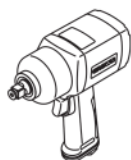
CT38113 BMC

EAN : 7640177421357



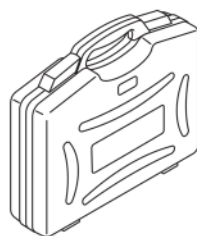
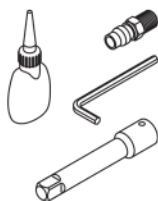
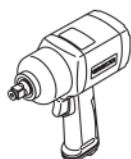
CT38115

EAN : 7640177421388



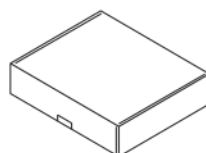
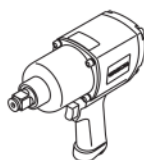
CT38115 BMC

EAN :7640177421395



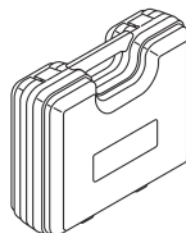
CT38114

EAN :7640177421364



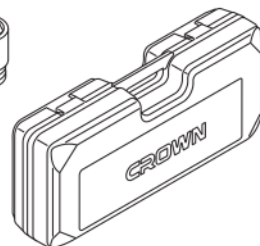
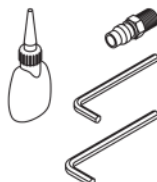
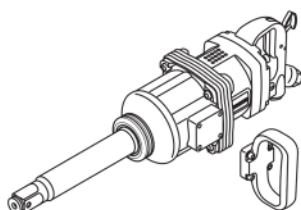
CT38114 BMC

EAN :7640177421371



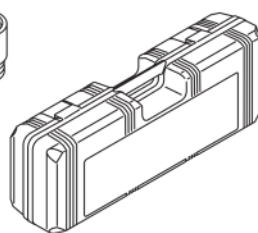
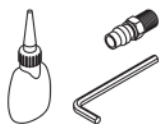
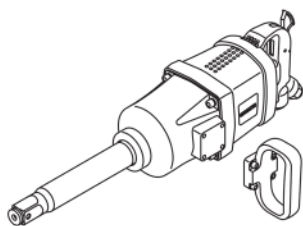
CT38085 BMC

EAN :7640177421432



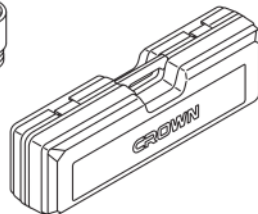
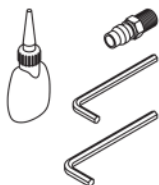
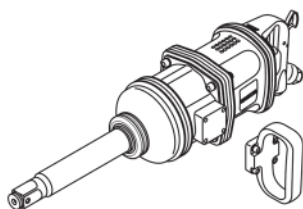
CT38116 BMC

EAN :7640177421401



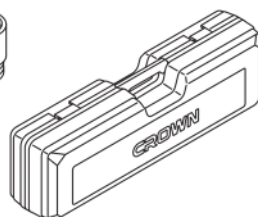
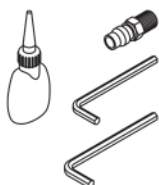
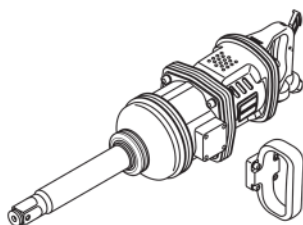
CT38083 BMC

EAN :7640177421418



CT38084 BMC

EAN :7640177421425



Air tool specification

Pneumatic impact wrench	CT38112	CT38113	CT38115	CT38114	CT38085	CT38116	CT38083	CT38084
Air tool code	see pages 10-12							
No-load speed	[min ⁻¹]	9800	8000	8000	4600	4200	3600	3300
Recommended working pressure	[bar] [psi]	6-8 87-116	6-8 87-116	6-8 87-116	6-8 87-116	8-12 116-174	8-12 116-174	8-12 116-174
Air consumption at no-load	[m ³ /min]	≤1,08	≤1,08	≤1,08	≤1,2	≤1,2	≤1,3	≤1,3
Max. torque	[Nm]	520	660	800	1200	2180	3260	3800
Min. bolt / nut diameter		M10	M10	M10	M14	M18	—	—
Max. bolt / nut diameter		M12	M16	M16	M22	M39	M48	M48
Tool holder	[mm] [inches]	9,5 3/8"	12,7 1/2"	12,7 1/2"	19 3/4"	25,4 1"	25,4 1"	25,4 1"
Thread of air connector		1/4"	1/4"	1/4"	3/8"	1/2"	1/2"	1/2"
Inner Ø of air hose	[mm] [inches]	10 25/64"	10 25/64"	10 25/64"	13 33/64"	13 33/64"	13 33/64"	13 33/64"
Weight	[kg] [lb]	1,6 3.53	2,6 5.73	2,1 4.63	4 8.82	14 30.86	18,5 40.79	19 41.89
Sound pressure	[dB(A)]	—	—	—	—	108	111	109
Acoustic power	[dB(A)]	96	96	95	102	119	122	120
Weighted vibration	[m/s ²]	3,2	4,2	4,2	7,6	11	13	14

Noise information



Always wear ear protection if the sound pressure exceed 85 dB(A).

CE Declaration of conformity

We declare under our sole responsibility that the product described under "Air tool specification" is in conformity with all relevant provisions of the directives 2006/42/EC including their amendments and complies with the following standards: EN1953:2013.

Certification manager

Wu Cunzhen

Merit Link International AG
Stabio, Switzerland, 01.05.2017

General safety warnings



Before installing, operating, repairing, maintaining and replacing accessories as well as prior to working near by the air tool, please read and observe all instructions. Failure to follow the following safety warnings may result in serious injury. Save all safety warnings and instructions for future reference, and make them available to the operator.

Work area safety

- Pay attention to surfaces that may have become slippery from using the machine, and to tripping hazards from the pneumatic or hydraulic hose. Slipping, tripping and falling are main reasons for workplace injuries.
- Do not operate the air tool in explosive atmospheres, such as in the presence of flammable liquids, gases or dusts. While working the workpiece, sparks can be created which may ignite the dust or fumes.
- Keep children and bystanders away from your workplace while operating the air tool. Distractions from other persons can cause you to lose control over the air tool.

Air tool safety

- Never direct the airflow against yourself or other persons close by, and conduct cold air away from your hands. Compressed air can lead to serious injuries.
- Check the connections and the air supply lines. All maintenance units, couplers, and hoses should conform to the product specifications in terms of pressure and air volume. Too low pressure impairs the function of the air tool; too high pressure can result in material damage and personal injury.
- Protect the hoses from kinks, restrictions, solvents, and sharp edges. Keep the hoses away from heat, oil, and rotating parts. Immediately replace a damaged hose. A defective air supply line may result in a wild compressed-air hose and can cause personal injury. Raised dust or chips may cause serious eye injury.

- Make sure that hose clamps are always tightened firmly. Loose or damaged hose clamps may result in uncontrolled air escape.

Personal safety

- Stay alert, watch what you are doing, and use common sense when operating a air tool. Do not use a air tool while tired or under the influence of drugs, alcohol, or medication. A moment of inattention while operating a air tool may result in personal injury.
- Use personal protective equipment. Always wear eye protection. Wearing personal protective equipment such as a respirator, non-skid safety shoes, hard hat or hearing protection - according to the instructions of your employer or as required by the provisions for work and health protection, reduces the risk of personal injury.
- Prevent unintentional starting. Make sure that the air tool is switched off before connecting it to the air supply, picking it up or carrying it. When your finger is on the on / off switch while carrying the air tool or when connecting the air tool to the air supply while it is switched on, accidents can occur.
- Remove any adjustment tools before switching on the air tool. A wrench or key left attached to a rotating part of a air tool may result in personal injury.
- Do not overreach. Keep proper footing and balance at all times. This enables better control of the air tool in unexpected situations.
- Dress properly. Do not wear loose clothing or jewellery. Keep your hair, clothing and gloves away from moving parts. Loose clothes, jewellery or long hair can be caught in moving parts.
- If devices are provided for the connection of dust extraction and collection facilities, ensure these are connected and properly used. Use of dust collection can reduce dust-related hazards.
- Do not directly inhale the exhaust air. Avoid exposing the eyes to exhaust air. The air tool's exhaust air can contain water, oil, metal particles and debris from the compressor. This can cause damage to one's health.

Air tool use and care

- Use the clamping devices or a vice to secure and support the workpiece. Holding the workpiece by hand or against your body will not allow for safe operation of the air tool.
- Do not overload the air tool. Use the air tool intended for your work. The correct air tool will do the job better and safer at the rate for which it is designed.
- Do not use a air tool that has a defective on / off switch. A air tool that cannot be controlled with the switch is dangerous and must be repaired.
- Disconnect the air supply before making any adjustments, changing accessories, or when not using for extended periods. This safety measure prevents accidental starting of the air tool.
- Store idle air tools out of the reach of children. Do not allow persons unfamiliar with the air tool or these instructions to operate the device. Air tools are dangerous in the hands of untrained users.
- Maintain the air tool with care. Check for misalignment or binding of moving parts, breakage of parts and any other condition that may affect the air tool's operation. Have damaged parts repaired before using the air tool. Many accidents are caused by poorly maintained air tools.

- Keep cutting tools sharp and clean. Properly maintained cutting tools with sharp cutting edges are less likely to bind and are easier to control.
- Use the air tool, accessories, application tools, etc. according to these instructions. Take into consideration the working conditions and the activities to be carried out. This reduces the development of dust, vibrations and noise to the greatest extent.
- The air tool should be set up, adjusted or used exclusively by qualified and trained operators.
- The air tool may not be modified in any way. Modifications can reduce the effectivity of the safety measures and increase the risks for the operator.

Service

Have your air tool repaired only through a qualified repair person and only using original replacement parts. This will ensure that the safety of the air tool is maintained.

Safety instructions

Before commencing work



- People with the appropriate physical form required to operate the air tool of such size, weight and capacity, are allowed to work with the air tool.
- During operation, as well as repair, maintenance and replacement of the air tool accessories, it is mandatory to wear shockproof safety glasses, as in case of crash of the fastener head, accessories or the air tool itself, fragments can fly apart at high speed.
- Never turn on the air tool when moving. Rotating parts of the air tool can wind on clothes or hair that will result in an injury.
- The air tool handles can be blown off with the compressed air flow that will result in hands cooling, so always wear protective gloves. The protective gloves should fit closely, loose gloves can get into the rotating parts of the air tool causing serious injuries.
- Make sure to monitor the state of the tool holder and socket wrenches. The damaged tool holder and socket wrenches (cracks, chippings, etc.) generate the elevated vibration during the operation, they can also break down and their pieces, discarded at high speed, may cause injury.
- Use special detectors to find hidden energy, gas and water supply systems, or refer to a local public utility for information. Contact with wiring may cause fire and an electric shock. Gas pipeline damage can cause an explosion. Water pipeline damage results in property damage.
- Never carry the air tool holding it by its hose.
- Use the socket wrenches specially designed for impact wrenches. They are black, more durable, and their design contributes to operation without damaging a screw or a bolt head. Using standard socket wrenches may lead to their destruction, which may lead to injuries to the user.
- It is prohibited to change the socket wrenches design, as well as to use the removable tips and devices not designed for this air tool.
- Make sure to use special clamping devices to treat small work pieces with the weight not sufficient for reliable fixing.
- If the air tool is equipped with a silencer, always check if it is properly placed and in good working condition.















During operation

- During operation take a comfortable position, avoid awkward or such postures in which it is difficult to keep a balance. When working for extended periods of time, change your body position to reduce fatigue.
- Keep your hands at a safe distance from the rotating parts of the air tool. Never try to hold the rotating socket wrenches or the tool holder, it may cause serious injuries.
- Special care should be taken when operating the tool in cramped work spaces. When influenced by reactive torques, the air tool can turn over and lead to hands injuries (jamming, crushing injuries).
- Hold the air tool tightly, and when operating the air tool take a position in which you can counteract the movements caused by reactive forces or the replacement working tool breakdown. If your air tool is equipped with an additional handle, always use it during operation. These precautions will help prevent injuries.
- Turn off the air tool in case of the air supply failure or decreased working pressure. Check the working pressure and turn on the air tool again when the working pressure is optimal again.
- When operating the air tool, an operator may experience unpleasant feelings in wrists, hands, shoulders, neck, or other body parts.
- When operating the tool, a kickback may occur (a sudden jerk of the air tool); to avoid negative effects (for example, the balance loss) hold the air tool tightly and keep a steady position.
- Do not touch the movable parts of the air tool while working - you can be injured (cuts, burns, etc.).
- During operation avoid contact with live wiring. The air tool is not isolated and contact with the live wiring may cause electric shock.
- Do not ignore the symptoms such as long-term ailment, fast heartbeat, pain, itching, deafness, burning, or numbness. If such symptoms occur, please inform the employer and consult a qualified medical specialist.
- Vibration can exert negative influence on nerves and the blood circulation in wrists and hands. If the skin on your fingers or wrists numbs, itches, hurts or gets pale, stop working with the air tool, inform your employer and consult a doctor.
- While working hold the air tool securely, but do not apply excessive force as adverse health effects caused by vibration will increase.

Symbols

Following symbols are used in the operation manual, please remember their meanings. Correct interpretation of the symbols will allow correct and safe use of the air tool.

Symbol	Meaning
	Serial number sticker: CT ... - model; XX - date of manufacture; XXXXXXX - serial number.
	Size / type of the tool holder.

Symbol	Meaning
	Width across flat of the nut to be unscrewed.
	Read all safety regulations and instructions.
	Wear safety goggles.
	Wear ear protectors.
	Wear a dust mask.
	Wear protective gloves.
	Movement direction.
	Rotation direction.
	Locked.
	Unlocked.
	Attention. Important.
	A sign certifying that the product complies with essential requirements of the EU directives and harmonized EU standards.
	Useful information.
	Do not dispose of the air tool in a domestic waste container.

Intended use of the air tool

The air tool is designed to tighten and unscrew threaded fasteners (bolts, nuts, screws, wood screws, etc.).

Elements of the air tool

- 1 Tool holder
- 2 Additional handle *
- 3 Combination switch (reverse and torque)
- 4 Threaded plug
- 5 On / off switch
- 6 Inlet connector
- 7 Plug *
- 8 Oiler *
- 9 Quick-removable connector *
- 10 Allen key *
- 11 Socket wrench *
- 12 Extension rod *
- 13 Bolt for additional handle fastening *
- 14 Output hole
- 15 Oil-fill hole

* Optional extra

Not all of the accessories illustrated or described are included as standard delivery

Installation / regulation

Before execution of any procedures, disconnect air tool from compressor.



Do not draw up the fastening elements too tight to avoid damaging the thread.



Mounting / dismounting / setting-up of some elements is the same for all air tools models, in this case specific models are not indicated in the illustration.

Installing / removing the socket wrench (see fig. 1.1)

- When mounting, install socket wrench **11** onto the tool holder **1**, as shown in figure 1.1.
- Disassembly operations do in reverse sequence.

Installing / removing the extension rod (see fig. 1.2)

[CT38113, CT38115]

- When mounting, install extension rod **12** onto the tool holder **1**, as shown in figure 1.2.
- Disassembly operations do in reverse sequence.

Installing / removing the additional handle (see fig. 2)

[CT38085, CT38116, CT38083, CT38084]

- When mounting, install additional handle **2** and screw in bolts **13** with the help of Allen key **10**, as shown in figure 2.
- Disassembly operations do in reverse sequence.

Connecting to the compressor (see fig. 3-4)



Note: make sure that the air pressure is not less than that one specified in the table "Air tool specification", otherwise the air tool will work with less efficiency.



To protect the air tool against damage, contamination and corrosion, the supplied compressed air should be purified from foreign particles and moisture. It is recommended to use special devices (filters, dehumidifiers or specific air preparation units).

- **CT38085, CT38116, CT38083, CT38084** - extract plug 7 (see fig. 4.1).
- Screw in quick-removable connector 9 into inlet connector 6 (see fig. 3.1, 4.2). When screwing in quick-removable connector 9, it is recommended to hold inlet connector 6 using an open-ended spanner.
- Connect the air hose with the quick-removable adapter to quick-removable connector 9 (see fig. 3.2, 4.3). Make sure that the air hose is securely fixed on quick-removable connector 9 (the quick-removable adapter on the air hose should snap).

Initial operation of the air tool

- Check before each using of the tightness of all threaded connections, as well as the tightness of connections and hoses.
- Add oil into the air tool, strictly observing the recommendations set out in the clause "Air tool maintenance / preventative measures".

Switching the air tool on / off

Air tool should be pre-connected to the compressor.

Switching on:

Press and hold the on / off switch 5.

Switching off:

Release the on / off switch 5.

Design features of the air tool

Changing the rotational directions and torque value (see fig. 5-7)



Move combination switch 3 only after a complete stop of rotating parts of the air tool.

Clockwise rotation - move combination switch 3 as shown in figures 5.1, 5.3, 6.1, 6.3, 7.1. By rotating combination switch 3, you also select the torque value (the torque steps are indicated with digits on switch 3 or the air tool body).

Counter clockwise rotation - move combination switch 3 as shown in figures 5.2, 5.4, 6.2, 6.4, 7.2. By rotating combination switch 3, you also select the torque value (the torque steps are indicated with digits on switch 3 or the air tool body).

Recommendations on the air tool operation



Sometimes, after the long idle time, the air tool may not turn on, in this case it is necessary to turn off the air supply and manually rotate de-

vice 1 that holds accessories several times, and after that re-enable the air tool.

- Connect the air tool to the compressor as described above.
- Select the rotation direction as well as the torque value by using combination switch 3. You can choose the torque value by practical testing. After screwing, it is recommended to check the tightening torque using the torque-measuring wrench.
- Install socket wrench 11 onto the fastener head. **Note: install socket wrench 11 onto the fastener head only when the air tool is turned off.**
- Turn on the air tool and perform twisting or untwisting. You can choose the operating duration when screwing by practical testing.
- Turn off the air tool and remove socket wrench 11 from the fastener head.

Air tool maintenance / preventative measures

Before execution of any procedures, disconnect air tool from compressor.

Grid cleaning (see fig. 3.1, 4.2)

Regularly clean the grid installed inside inlet connector 6.

- Unscrew quick-removable connector 9 (see fig. 3.1, 4.2).
- Remove dust and contamination from the grid.
- Screw in quick-removable connector 9 as described above.

Air tool lubrication (see fig. 8-10)

Water and pollution particles in the compressed air cause corrosion and lead to the wear of blades, valves, etc. To prevent the mentioned, the air tool should be lubricated before / after every using.

- Put a few drops of oil (use oil 46#) from oiler 8 into inlet connector 6 (see fig. 8-9).
- Connect the air tool to the compressor and turn it on for 5-10 seconds.
- In **CT38112, CT38113, CT38115, CT38114** models, the oil may bleed out of holes 14 - wipe it with a cloth.

[CT38085, CT38116, CT38083, CT38084]

- Unscrew threaded plug 4 using Allen key 10.
- Add the 10 ml of oil (use oil 46#).
- Screw in threaded plug 4 using Allen key 10.

After-sales Service and Application Service

Our after-sales service responds to your questions concerning maintenance and repair of your product as well as spare parts. Information about

service centers, parts diagrams and information about spare parts can also be found under: www.crown-tools.com.

Transportation of the air tools

- Categorically not to drop any mechanical impact on the packaging during transport.
- When unloading / loading is not allowed to use any kind of technology that works on the principle of clamping packaging.

Environmental protection



Recycle raw materials instead of disposing as waste.

■ Air tool, accessories and packaging should be sorted for environment-friendly recycling. The plastic components are labelled for categorized recycling. These instructions are printed on recycled paper manufactured without chlorine.

The manufacturer reserves the possibility to introduce changes.

English

Spécification de l'outil pneumatique

Clé à chocs pneumatique	CT38112	CT38113	CT38115	CT38114	CT38085	CT38116	CT38083	CT38084
Code de l'outil pneumatique	voir la page 10-12							
Régime à vide	[min ⁻¹]	9800	8000	8000	4200	3200	3600	3300
Pression de service recommandée	[bar] [psi]	6-8 87-116	6-8 87-116	6-8 87-116	8-12 116-174	8-10 116-145	8-12 116-174	8-12 116-174
Consommation d'air en marche à vide	[m ³ /min]	≤1,08	≤1,08	≤1,2	≤1,2	≤1,5	≤1,3	≤1,3
Couple de serrage max.	[Nm]	520	660	800	2180	3200	3260	3800
Diamètre min. boulon / écrou		M10	M10	M10	M14	M18	—	—
Diamètre max. boulon / écrou		M12	M16	M16	M22	M42	M48	M48
Porte-outils	[mm] [inches]	9,5 3/8"	12,7 1/2"	12,7 1/2"	19 3/4"	25,4 1"	25,4 1"	25,4 1"
Fil de connecteur d'air		1/4"	1/4"	1/4"	3/8"	1/2"	1/2"	1/2"
Ø intérieur du tuyau à air	[mm] [inches]	10 25/64"	10 25/64"	10 25/64"	13 33/64"	13 33/64"	13 33/64"	13 33/64"
Poids	[kg] [lb]	1,6 3.53	2,6 5.73	2,1 4.63	4 8.82	14 30.86	18,5 40.79	19 41.89
Pression acoustique	[dB(A)]	—	—	—	108	—	111	109
Puissance acoustique	[dB(A)]	96	96	95	102	102	122	120
Vibration	[m/s ²]	3,2	4,2	4,2	7,6	9,4	13	14

Bruit d'information



Portez toujours des protections pour les oreilles (casque) lorsque le niveau de pression acoustique est supérieur à 85 dB(A).

CE Déclaration de conformité

Nous déclarons sous notre entière responsabilité que le produit décrit sous " Spécification de l'outil pneumatique " est conforme à toutes les dispositions applicables des directives 2006/42/CE, y compris leurs modifications et se conforme aux normes suivantes : EN1953:2013.

Gestionnaire de certification

Wu Cunzhen

Merit Link International AG
Stabio, Suisse, 01.05.2017

Consignes de sécurité générales



Avant d'installer, exploiter, réparer, entretenir et remplacer des accessoires, ainsi que avant de travailler à proximité de l'outil d'air, lire et suivre toutes les instructions. Le non-respect des consignes de sécurité suivantes peut entraîner des blessures graves.
Garder tous les avertissements et consignes de sécurité pour les consulter en future, et les rendre disponibles à l'opérateur.

Sécurité de la zone de travail

- Faites attention aux planchers qui, peut-être, ont devenues glissantes, d'utiliser la machine, aux risques de chute du tuyau pneumatique ou hydraulique. Glisser, trébucher et tomber sont les raisons principales des blessures au lieu de travail.
- Ne pas opérer l'outil de l'air dans des atmosphères explosives, par exemple en présence des liquides, gazes ou poussières inflammables. Tout en travaillant sur la pièce, des étincelles peuvent se créer qui peuvent, à son tour, enflammer la poussière ou les vapeurs.
- Tenez à l'écart les enfants et les curieux de la proximité de votre lieu de travail pendant le fonctionnement de l'outil d'air. Distractions des autres peuvent vous faire perdre le contrôle de l'outil d'air.

Sécurité d'outil d'air

- Ne jamais diriger le flux d'air contre vous-même ou à n'importe qui à la proximité, et conduire d'air froid loin de vos mains. L'air comprimé peut entraîner des blessures graves.
- Vérifiez les connexions et les conduites d'alimentation en air. Toutes les unités d'entretien, les coupleurs et les tuyaux doivent conformer aux spécifications du produit en termes de pression et le volume d'air. Une pression trop basse altère la fonction de l'outil de l'air; une pression trop élevée

peut entraîner des endommagements matériels et des blessures corporelles.

- Protéger les tuyaux des noeuds, des restrictions, des solvants et des tranchants. Gardez les tuyaux loin de la chaleur, l'huile et les pièces en rotation. Remplacez un tuyau endommagé immédiatement. Une ligne d'alimentation en air défectueux peut entraîner un tuyau d'air comprimé violent et peut causer des blessures corporelles. La poussière ou de copeaux surélevé peuvent provoquer des lésions oculaires graves.
- Assurez-vous que les colliers de serrage sont toujours bien serrés. Les colliers de serrage desserrés ou endommagés peuvent entraîner échappement incontrôlé d'air.

Sécurité personnelle

- Restez alerte, soyez vigilant à ce que vous faites, et utilisez le bon sens lorsque vous utilisez un outil pneumatique. Ne pas utiliser un outil d'air en cas de fatigue ou sous l'influence de drogues, d'alcool ou des médicaments. Un moment d'inattention pendant l'utilisation d'un outil d'air peut entraîner des blessures corporelles.
- Utilisez un équipement de protection individuelle. Portez Toujours des lunettes de protection. Porter un équipement de protection individuelle, comme un respirateur, des chaussures de sécurité antidérapantes, un casque ou une protection auditive - selon les instructions de votre employeur ou tel que requis par les dispositions pour le travail et la protection de la santé, réduit le risque de blessures corporelles.
- Evitez tout démarrage involontaire. Assurez - vous que l'outil d'air est éteint avant de le connecter à l'alimentation d'air, le ramasser ou le porter. Les accidents peuvent se produire lorsque votre doigt se reste sur l'interrupteur marche / arrêt tout en portant l'outil d'air ou lors de la connexion de l'outil d'air pour l'alimentation d'air alors qu'il est allumé.
- Retirez tous les outils de réglage avant de faire marcher l'outil pneumatique. Une clé laissée sur une partie rotative d'un outil d'air peut entraîner des blessures corporelles.
- Ne penchez pas trop. Gardez une bonne assise et un bon équilibre tout le temps. Cela permet un meilleur contrôle de l'outil d'air dans les situations inattendues.
- Habillez - vous comme il faut. Ne portez pas de vêtements amples ou des bijoux. Gardez vos cheveux, vêtements et gants éloignés des pièces mobiles. Des vêtements amples, des bijoux ou des cheveux longs peuvent être attirés vers les pièces mobiles.
- Si les outils sont prévus pour le raccordement d'aspiration des poussières et collection des objets, vérifiez qu'ils sont connectés et correctement utilisés. La pratique de la collection de la poussière peut réduire les risques liés à la poussière.
- Ne pas respirer dans l'air d'échappement directement. Evitez d'exposer les yeux à l'air d'échappement. L'air d'échappement de l'outil d'air peut contenir de l'eau, l'huile, les particules métalliques et les débris du compresseur. Cela peut causer des endommagements corporelle de la personne.

Exploitation et soins de l'outil d'air

- Utilisez les dispositifs de serrage ou un étai pour fixer et soutenir l'objet de travail. Tenir la pièce à la main ou contre votre corps ne permettra pas pour un fonctionnement de l'outil d'air sans danger.

- Ne surchargez pas l'outil d'air. N'utilisez l'outil de l'air que pour le travail destiné. L'outil d'air correct fonctionne mieux et plus sûr à la vitesse pour laquelle il est conçu.
- Ne pas utiliser un outil d'air qui dispose d'un interrupteur défectueux. Un outil d'air qui ne peut pas être contrôlé par son interrupteur est dangereux et doit être réparé.
- Débranchez l'alimentation en air avant de faire des ajustements, de changer les accessoires, ou lorsque vous n'utilisez pas l'outil pendant des périodes prolongées. Cette mesure de sécurité empêche le démarrage accidentel de l'outil d'air.
- Gardez les outils pneumatiques au repos hors de la portée des enfants. Ne pas permettre à des personnes ignorant l'outil de l'air ou ces instructions de faire fonctionner l'outil de l'air. Tous les outils sont dangereux aux mains d'utilisateurs novices.
- Maintenez l'outil d'air avec soin. Vérifiez l'alignement ou des bandes de pièces mobiles, bris de pièces et toute autre condition qui pourrait affecter le fonctionnement des outils pneumatiques. Faites réparer les pièces endommagées avant d'utiliser l'outil pneumatique. De nombreux accidents sont causés par des outils d'air mal entretenus.
- Gardez les outils de coupe aiguisés et propres. Des outils correctement entretenus avec des bords tranchants sont moins susceptibles de se coincer et sont plus faciles à contrôler.
- Utilisez l'outil de l'air, les accessoires, les outils d'application, etc. conformément à ces instructions. Prenez en considération les conditions de travail et les activités à réaliser. Ceci réduit le développement de la poussière, des vibrations et du bruit dans la plus grande mesure.
- L'outil d'air ne doit être mis en place, réglé ou utilisé exclusivement que par des opérateurs qualifiés et formés.
- L'outil de l'air ne doit pas être modifié d'aucune façon. Les modifications peuvent réduire l'effectivité des mesures de sécurité et d'augmenter les risques pour l'opérateur.

Service

Faites les réparations d'outils de l'air que par un réparateur qualifié et en utilisant des pièces de rechange originale. Cela permettra d'assurer que la sécurité de l'outil de l'air est maintenue.

Instructions de sécurité

Avant de commencer le travail

- Les personnes ayant la forme physique appropriée requise pour faire fonctionner l'outil pneumatique d'une telle taille, poids et capacité, sont autorisées à travailler avec l'outil pneumatique.
- Pendant le fonctionnement et la réparation, l'entretien et le remplacement des accessoires de l'outil pneumatique, il est obligatoire de porter des lunettes de sécurité antichoc, en cas de collision de la tête de fixation, d'accessoires ou de l'outil pneumatique lui-même, car les fragments peuvent se déplacer à grande vitesse.
- Ne jamais mettre en marche l'outil pneumatique lorsqu'il est en mouvement. Les pièces rotatives de










l'outil pneumatique peuvent enrouler les vêtements ou les cheveux, ce qui peut entraîner des blessures.

- Les poignées de l'outil pneumatique peuvent être soufflées avec le flux d'air comprimé, ce qui entraînera un refroidissement des mains, veillez donc à toujours porter des gants de protection. Les gants de protection doivent être bien ajustés, car les gants amples peuvent se glisser dans les parties rotatives de l'outil pneumatique, et peuvent causer des blessures graves.
- Assurez-vous de surveiller l'état du porte-outil et des clés à douille. L'endommagement du porte-outil et des clés à douille (fissures, gravillons, etc.) génèrent des vibrations élevées pendant le fonctionnement. Cela peut également entraîner une décomposition des pièces qui, jetées à grande vitesse, peuvent causer des blessures.
- Utilisez des détecteurs spéciaux pour trouver les systèmes cachés d'énergie, de gaz et d'alimentation en eau, ou consultez un utilitaire public local pour obtenir plus d'informations. Tout contact avec le câblage peut provoquer un incendie et un choc électrique. Les dommages causés par le gazoduc peuvent provoquer une explosion. Les dommages causés par le pipeline d'eau entraînent des dommages matériels.
- Ne jamais transporter l'outil pneumatique en le tenant par son tuyau.
- Utilisez les clés à douille conçues spécialement pour les clés à chocs. Elles sont noires, plus durables, et leur conception contribue au bon fonctionnement sans endommager une vis ou une tête de boulon. Une utilisation de clés à douille standard peut conduire à leur destruction, ce qui peut entraîner des blessures pour l'utilisateur.
- Il est interdit de changer la conception des clés à douille, ainsi que d'utiliser les pointes amovibles et les dispositifs non conçus pour cet outil pneumatique.
- Assurez-vous d'utiliser des dispositifs de serrage spéciaux pour traiter des pièces de travail de petites dimensions avec un poids insuffisant pour une fixation fiable.
- Si l'outil pneumatique est équipé d'un silencieux, veuillez toujours vérifier s'il est correctement placé et en bon état de fonctionnement.

Pendant le fonctionnement


- Pendant le fonctionnement, prenez une position confortable, évitez les contraintes ou les situations dans lesquelles il est difficile de maintenir un équilibre. Lorsque vous travaillez pendant de longues périodes, changez de position pour réduire la fatigue.
- Maintenez vos mains à une distance de sécurité suffisante des pièces rotatives de l'outil pneumatique. N'essayez jamais de maintenir les clés à douille rotatives ou le porte-outil, cela peut causer des blessures graves.
- Il convient de veiller tout particulièrement lors de l'utilisation de l'outil dans des espaces de travail à l'étroit. Lorsqu'il est influencé par des couples réactifs, l'outil pneumatique peut se retourner et entraîner des blessures aux mains (coincement, blessures par écrasement).
- Tenez fermement l'outil pneumatique et, lors de son fonctionnement, prenez une position dans laquelle vous pouvez contrecarrer les mouvements causés par des forces réactives ou la rupture de l'outil de travail de remplacement. Si votre outil pneumatique est équipé d'une poignée supplémentaire, veillez à toujours l'utiliser pendant le fonctionnement. Ces précautions vous aideront à prévenir les blessures.

- Éteignez l'outil pneumatique en cas de défaillance de l'alimentation en air ou de diminution de la pression de travail. Vérifiez la pression de travail et allumez l'outil pneumatique lorsque la pression de travail est à nouveau optimale.
- Lors du fonctionnement de l'outil pneumatique, un opérateur peut ressentir des sensations désagréables dans les poignets, les mains, les épaules, le cou ou d'autres parties du corps.
- Lors du fonctionnement de l'outil, un rebond peut se produire (un sifflement soudain de l'outil pneumatique) ; pour éviter les effets négatifs (par exemple, la perte de balance), maintenez fermement l'outil pneumatique et maintenez une position stable.
- Ne pas toucher les parties mobiles de l'outil pneumatique pendant son fonctionnement - vous risquez de vous blesser (coupures, brûlures, etc.).
- Pendant le fonctionnement, évitez tout contact avec le câblage sous tension. L'outil pneumatique n'est pas isolé et le contact avec le câblage sous tension peut provoquer un choc électrique.
- Ne pas ignorer les symptômes tels qu'une maladie à long terme, rythme cardiaque rapide, douleur, démangeaisons, surdité, brûlure ou engourdissement. Si de tels symptômes apparaissent, veuillez en informer l'employeur et consultez un médecin spécialiste qualifié.
- La vibration peut exercer une influence négative sur les nerfs et la circulation sanguine dans les poignets et les mains. Si la peau de vos doigts ou de vos poignets s'engourdit, pique, est douloureuse ou devient pâle, cessez de travailler avec l'outil pneumatique, informez votre employeur et consultez un médecin.
- Maintenez l'outil pneumatique en toute sécurité lors de son fonctionnement, mais n'exercez pas de force excessive car les effets néfastes sur la santé causés par les vibrations augmenteront.

Symbole	Légende
	Portez les lunettes.
	Portez le casque de protection.
	Portez le masque antipoussière.
	Portez les gants de protection.
	Sens du mouvement.
	Sens de la rotation.
	Bloqué.
	Débloqué.
	Attention. Information importante.


Les symboles


Les symboles suivants sont utilisés dans le manuel d'utilisation. N'oubliez pas, s'il vous plaît, leurs significations. L'interprétation correcte des symboles permettra une utilisation correcte et sûre de l'outil d'air.

Symbole	Légende
	Étiquette avec le numéro d'usine: CT ... - modèle; XX - date de fabrication; XXXXXXX - numéro d'usine.


	Taille / type du porte-outil.
--	-------------------------------

	Large à travers les méplats de l'écrou à dévisser.
--	--

	Lisez attentivement toutes les consignes de sécurité et les instructions.
--	---

	Signe certifiant que l'article correspond aux directives CE et aux standards harmonisés de l'Union Européenne.
---	--

	Information utile.
---	--------------------

	Ne jetez pas l'outil de l'air dans un conteneur de déchets domestiques.
---	---

Utilisation prévue de l'outil pneumatique

L'outil pneumatique est conçu pour serrer et dévisser les attaches filetées (boulons, écrous, vis, vis à bois, etc.).

Éléments de l'outil pneumatique

- 1 Porte-outil
- 2 Poignée supplémentaire *
- 3 Commande combinée (marche arrière et couple)

- 4 Bouchon fileté
- 5 Interrupteur on / off
- 6 Connecteur d'entrée
- 7 Bouchon *
- 8 Huile *
- 9 Connecteur amovible rapide *
- 10 Clé Allen *
- 11 Clé à douille *
- 12 Tige d'extension *
- 13 Boulon pour fixation de poignée supplémentaire *
- 14 Trou de sortie
- 15 Trou de remplissage d'huile

* Accessoires

Une partie des accessoires représentés et décrits ne figurent pas dans la livraison.

L'installation / le réglagement

Avant l'exécution de toutes les procédures, débranchez l'outil d'air du compresseur.



Ne pas trop serrer les fixations afin d'éviter tout endommagement du filetage.



Le montage / démontage / mise en place de certains éléments est identique pour tous les modèles d'outils pneumatiques, dans ce cas, des modèles spécifiques ne sont pas indiqués dans l'illustration.

Installation / retrait de la clé à douille (voir la fig. 1.1)

- Lors du montage, installez la clé à douille **11** sur le porte-outil **1**, comme indiqué dans la figure 1.1.
- Effectuez les opérations de démontage dans le sens contraire.

Installation / retrait de la tige rallonge (voir la fig. 1.2)

[CT38113, CT38115]

- Lors du montage, installez la tige rallonge **12** sur le porte-outil **1**, comme indiqué dans la figure 1.2.
- Effectuez les opérations de démontage dans le sens contraire.

Installation / retrait de la poignée supplémentaire (voir la fig. 2)

[CT38085, CT38116, CT38083, CT38084]

- Lors du montage, installez la poignée supplémentaire **2** et vissez les boulons **13** à l'aide de la clé Allen **10**, comme indiqué dans la figure 2.
- Effectuez les opérations de démontage dans le sens contraire.

Raccordement au compresseur (voir les fig. 3-4)



Remarque : veillez à ce que la pression d'air ne soit pas inférieure à celle spécifiée dans le tableau " Spécification de l'outil pneumatique ", sinon

l'outil pneumatique fonctionnera avec moins d'efficacité.



Pour protéger l'outil pneumatique contre les dommages, la contamination et la corrosion, l'air comprimé fourni doit être purifié des particules étrangères et de l'humidité. Il est recommandé d'utiliser des dispositifs spéciaux (filtres, déshumidificateurs ou unités spécifiques de préparation de l'air).

- **CT38085, CT38116, CT38083, CT38084** - extraire le bouchon **7** (voir la fig. 4.1).
- Vissez le connecteur amovible rapide **9** dans le connecteur d'entrée **6** (voir les fig. 3.1, 4.2). Lors du vissage dans le connecteur amovible rapide **9**, il est recommandé de maintenir le connecteur d'entrée **6** à l'aide d'une clé ouverte.
- Raccordez le tuyau de l'air avec l'adaptateur amovible rapide au connecteur amovible rapide **9** (voir les fig. 3.2, 4.3). Assurez-vous que le tuyau de l'air est solidement fixé sur le connecteur amovible rapide **9** (l'adaptateur amovible rapide sur le tuyau de l'air doit être enclenché).

Fonctionnement initial de l'outil pneumatique

- Vérifier avant chaque utilisation de l'étanchéité de tous les raccords filetés, ainsi que l'étanchéité des raccords et tuyaux.
- Ajoutez de l'huile dans l'outil pneumatique, en respectant strictement les recommandations énoncées dans la clause " Entretien de l'outil pneumatique / mesures préventives ".

Marche / arrêt de l'outil pneumatique

L'outil de l'air doit être pré-relié au compresseur.

Mettre en marche:

Appuyez et maintenez le bouton marche / arrêt **5**.

Arrêter:

Relâchez le bouton marche / arrêt **5**.

Caractéristiques de conception de l'outil pneumatique

Modification des directions de rotation et de la valeur de couple (voir les fig. 5-7)



Déplacez une commande combinée 3 uniquement après un arrêt complet des pièces en rotation de l'outil pneumatique.

Rotation dans le sens des aiguilles d'une montre - déplacez la commande combinée **3** comme indiqué dans les figures 5.1, 5.3, 6.1, 6.3, 7.1. En tournant la commande combinée **3**, vous sélectionnez également les valeurs de couple (les étapes de couple sont indiquées avec des chiffres sur le commutateur **3** ou le corps de l'outil pneumatique).

Rotation dans le sens contraire des aiguilles d'une montre - déplacez la commande combinée **3** comme

indiqué dans les figures 5.2, 5.4, 6.2, 6.4, 7.2. En tournant la commande combinée **3**, vous sélectionnez également les valeurs de couple (les étapes de couple sont indiquées avec des chiffres sur le commutateur **3** ou le corps de l'outil pneumatique).

Lubrification de l'outil pneumatique (voir les fig. 8-10)

Les particules d'eau et de pollution dans l'air comprimé provoquent une corrosion et conduisent à l'usure des lames, des valves, etc. Pour éviter ce qui précède, l'outil pneumatique devrait être lubrifié avant / après chaque utilisation.

Recommandations sur le fonctionnement de l'outil pneumatique



Parfois, après une durée d'inactivité prolongée, l'outil pneumatique ne peut pas s'allumer. Dans ce cas, il est nécessaire d'éteindre l'alimentation en air et de faire pivoter manuellement le dispositif 1 qui maintient les accessoires à plusieurs reprises, puis réactive l'outil pneumatique.

- Connectez l'outil pneumatique au compresseur comme décrit ci-dessus.
 - Sélectionnez le sens de rotation ainsi que la valeur de couple en utilisant la commande combinée **3**. Vous pouvez choisir la valeur de couple par des tests pratiques. Après le vissage, il est recommandé de vérifier le couple de serrage à l'aide de la clé de mesure du couple.
 - Installez la clé à douille **11** sur la tête de fixation.
- Remarque : installez la clé à douille 11 sur la tête de fixation seulement lorsque l'outil pneumatique est éteint.**
- Allumez l'outil pneumatique et effectuez la torsion ou la détorsion. Vous pouvez choisir la durée de fonctionnement lors du vissage par des essais pratiques.
 - Éteignez l'outil pneumatique et retirez la clé à douille **11** de la tête de fixation.

Entretien de l'outil pneumatique / mesures préventives

Avant l'exécution de toutes les procédures, débranchez l'outil d'air du compresseur.

Nettoyage de la grille (voir les fig. 3.1, 4.2)

Nettoyez régulièrement la grille installée à l'intérieur du connecteur d'entrée **6**.

- Dévissez le connecteur amovible rapide **9** (voir les fig. 3.1, 4.2).
- Retirez la poussière et la contamination de la grille.
- Vissez le connecteur amovible rapide **9** comme décrit ci-dessus.

- Mettez quelques gouttes d'huile (utiliser l'huile 46 #) du lubrificateur **8** dans le connecteur d'entrée **6** (voir les fig. 8-9).
- Connectez l'outil pneumatique au compresseur et allumez-le pendant 5 à 10 secondes.
- Dans les modèles **CT38112, CT38113, CT38115, CT38114**, l'huile peut s'échapper des trous **14** - essuyez-la avec un chiffon.

[CT38085, CT38116, CT38083, CT38084]

- Dévissez le bouchon fileté **4** à l'aide de la clé Allen **10**.
- Ajoutez les 10 ml d'huile (utilise l'huile 46 #).
- Vissez le bouchon fileté **4** à l'aide de la clé Allen **10**.

Services après-vente et d'application

Notre service après-vente répond à vos questions concernant l'entretien et la réparation de votre appareil et de ses pièces de rechange. Des informations sur les centres d'entretien, les schémas des pièces de rechange et les pièces de rechange sont également disponibles à l'adresse suivante : www.crown-tools.com.

Transport des outils pneumatiques

- Éviter strictement tout impact mécanique sur l'emballage pendant le transport.
- Lors du déchargement / chargement, il est interdit d'utiliser tout type de technologie fonctionnant sur le principe de serrage de l'emballage.

Protection de l'environnement



Récupération des matières premières plutôt qu'élimination des déchets.

L'outil pneumatique, les accessoires et l'emballage devraient être triés pour un recyclage respectueux de l'environnement.

Nos pièces plastiques ont ainsi été marquées en vue d'un recyclage sélectif des différents matériaux.

Ce manuel d'instructions a été fabriqué à partir d'un papier recyclé blanchi en l'absence de chlore.

Le fabricant se réserve le droit d'apporter des changements.

Français

Especificaciones de la herramienta neumática

Llave de impacto neumática	CT38112	CT38113	CT38115	CT38114	CT38085	CT38116	CT38083	CT38084
Código de la herramienta neumática	consulte las página 10-12							
Velocidad de giro en vacío	[min ⁻¹]	9800	8000	8000	4600	4200	3600	3300
Presión de trabajo recomendada	[bar] [psi]	6-8 87-116	6-8 87-116	6-8 87-116	6-8 87-116	8-12 116-174	8-12 116-174	8-12 116-174
Consumo de aire en vacío	[m ³ /min]	≤1,08	≤1,08	≤1,08	≤1,2	≤1,2	≤1,3	≤1,3
Torque máximo	[Nm]	520	660	800	1200	2180	3200	3800
Diámetro mínimo del bulón / de la tuerca		M10	M10	M10	M14	—	M18	—
Diámetro máximo del bulón / de la tuerca		M12	M16	M16	M22	M39	M48	M48
Del soporte de la herramienta	[mm] [pulgadas]	9,5 3/8"	12,7 1/2"	12,7 1/2"	19 3/4"	25,4 1"	25,4 1"	25,4 1"
Rosca del conector de aire		1/4"	1/4"	1/4"	3/8"	1/2"	1/2"	1/2"
Ø interno de la manguera	[mm] [pulgadas]	10 25/64"	10 25/64"	10 25/64"	13 33/64"	13 33/64"	13 33/64"	13 33/64"
Peso	[kg] [lb]	1,6 3.53	2,6 5.73	2,1 4.63	4 8.82	14 30.86	18,5 40.79	19 41.89
Presión acústica	[dB(A)]	—	—	—	—	108	111	109
Potencia acústica	[dB(A)]	96	96	95	102	119	122	120
Vibración ponderada	[m/s ²]	3,2	4,2	4,2	7,6	11	13	14

Información sobre ruidos



Tome medidas adecuadas para proteger sus oídos cuando la presión acústica exceda el valor de 85 dB(A).

CE Declaración de conformidad

Declaramos bajo nuestra exclusiva responsabilidad que el producto descrito en "Especificación de la herramienta neumática" está en conformidad con todas las disposiciones pertinentes de las directivas 2006/42/CE incluyendo sus enmiendas y cumple con las siguientes normas: EN1953:2013.

Gerente de
certificación

Wu Cunzhen

Merit Link International AG
Stabio, Suiza, 01.05.2017

Advertencias generales de seguridad



Antes de la instalación, poner en funcionamiento, reparar, realizar el mantenimiento y reemplazar accesorios, así como también antes de trabajar cerca de la herramienta neumática, por favor, lea y siga todas las instrucciones. De no seguir las siguientes advertencias de seguridad, se pueden producir lesiones graves.

Guarde todas las advertencias de seguridad y las instrucciones para referencia futura y póngalas a disposición del operador.

Seguridad en el área de trabajo

- Preste atención a las superficies que pueden volverse resbalosas con el uso de la máquina y que pueden provocar riesgos de desconexión a causa de la manguera neumática o hidráulica. Los resbalones, las desconexiones y las caídas son los principales motivos de lesiones en el lugar de trabajo.
- No opere la herramienta neumática en atmósferas explosivas, como por ejemplo, en presencia de líquidos, gases o polvos inflamables. Mientras esté trabajando en la obra, se pueden producir chispas que pueden encender el polvo o los vapores.
- Mantenga a los niños y observadores alejados de su lugar de trabajo mientras esté operando la herramienta neumática. Las distracciones de otras personas pueden provocar que pierda el control de la herramienta neumática.

Seguridad de la herramienta neumática

- Nunca dirija el flujo de aire contra usted o contra personas que estén cerca, y dirija el aire frío lejos de sus manos. El aire comprimido puede provocar lesiones graves.
- Revise las conexiones y las líneas de suministro de aire. Todas las unidades de mantenimiento, los acoples y las mangueras deben cumplir con las especificaciones del producto en lo que respecta a la presión y el volumen de aire. La presión demasiado baja imposibilita la función de la herramienta de aire; la presión

demasiado alta puede producir daño material y lesiones personales.

- Proteja las mangueras de torcimientos, restricciones, solventes y bordes filosos. Mantenga las mangueras alejadas del calor, del aceite y de piezas giratorias. Reemplace inmediatamente cualquier manguera dañada. Una línea de suministro de aire defectuosa puede resultar en una manguera de aire comprimido descontrolada y provocar lesiones personales. El polvo o los fragmentos que se levantan pueden provocar lesiones graves en los ojos.
- Asegúrese de que las abrazaderas de la manguera estén siempre bien ajustadas. Las abrazaderas flojas o dañadas pueden resultar en un escape de aire descontrolado.

Seguridad personal

- Al operar una herramienta neumática, esté alerta, mire lo que está haciendo y use el sentido común. No utilice una herramienta neumática cuando esté cansado o bajo la influencia de drogas, alcohol o medicamentos. Un momento de falta de atención al operar una herramienta neumática puede provocar una lesión personal.
- Utilice equipo de protección personal. Use siempre protección ocular. Usar equipo de protección personal como por ejemplo respirador, zapatos antideslizantes, casco o protección para los oídos, de acuerdo con las instrucciones de su empleador o según lo requieran las disposiciones para el trabajo y la protección de la salud, reduce el riesgo de lesiones personales.
- Evite el arranque no intencional. Asegúrese de que la herramienta neumática esté apagada antes de conectarla al suministro de aire, recogerla o cargarla. Cuando su dedo esté en el interruptor de encendido / apagado al transportar la herramienta neumática o cuando conecte la herramienta neumática al suministro de aire mientras está encendida, pueden producirse accidentes.
- Retire cualquier herramienta de ajuste antes de encender la herramienta neumática. Una llave o una llave inglesa dejada en una pieza giratoria de una herramienta neumática pueden producir lesiones personales.
- No adopte una postura forzada. Mantenga una base de apoyo y equilibrio adecuados en todo momento. Esto permite un mejor control de la herramienta neumática en situaciones inesperadas.
- Vístase adecuadamente. No use vestimenta suelta ni joyas. Mantenga su cabello, vestimenta y guantes alejados de las piezas móviles. La vestimenta suelta, las joyas o el cabello largo pueden atascarse en las piezas móviles.
- Si se proporcionan dispositivos para la conexión de extracción de polvo e instalaciones de recolección, asegúrese de que estén conectados y se utilicen correctamente. El uso de la recolección de polvo puede reducir los riesgos relacionados con el polvo.
- No inhale directamente el escape. Evite exponer los ojos al escape. El escape de la herramienta neumática puede contener agua, aceite, partículas de metal y residuos del compresor. Esto puede provocar daños en su salud.

Uso y cuidado de la herramienta neumática

- Use los dispositivos de sujeción o una pinza para asegurar y sostener la pieza de trabajo. Sostener la pieza de trabajo con la mano o contra su cuerpo no le

permitirá la operación segura de la herramienta neumática.

- No sobrecargue la herramienta neumática. Use la herramienta neumática sólo para realizar el trabajo correspondiente. La herramienta neumática correcta hará el trabajo mejor y de manera más segura a la velocidad para la cual fue diseñada.
- No utilice una herramienta neumática que tenga un interruptor de encendido / apagado defectuoso. Una máquina que no puede ser controlada con el interruptor es peligrosa y debe repararse.
- Desconecte el suministro de aire antes de hacer cualquier ajuste, cambiar accesorios o cuando no esté usando la herramienta durante períodos extensos. Esta medida de seguridad evita el arranque accidental de la herramienta neumática.
- Almacene las herramientas neumáticas inactivas fuera del alcance de los niños. No permita que las personas no familiarizadas con la herramienta neumática o con estas instrucciones operen el dispositivo. Las herramientas neumáticas son peligrosas en manos de usuarios no capacitados.
- Realice el mantenimiento de la herramienta neumática con cuidado. Revise las piezas móviles para asegurarse de que no tengan una mala alineación o que estén bien conectadas, que no haya piezas rotas o ninguna otra conexión que pueda afectar el funcionamiento de la herramienta de aire. Haga reparar las piezas dañadas antes de usar la herramienta neumática. Muchos accidentes se producen por herramientas neumáticas con mantenimiento defectuoso.
- Mantenga las herramientas de corte, afiladas y limpias. Las herramientas de corte que tienen un mantenimiento adecuado y bordes de corte afilados son menos propensas a engancharse y son más fáciles de controlar.
- Utilice la herramienta neumática, los accesorios, las herramientas de aplicación, etc. de acuerdo con estas instrucciones. Tenga en cuenta las condiciones de trabajo y las actividades a realizar. Esto reduce al máximo el desarrollo de polvo, vibraciones y ruido.
- La herramienta neumática debe ser armada, ajustada o utilizada exclusivamente por operadores calificados y capacitados.
- La herramienta neumática no debe modificarse de ningún modo. Las modificaciones pueden reducir la efectividad de las medidas de seguridad y aumentar los riesgos para el operador.

Mantenimiento

Repáre su herramienta neumática sólo a través de una persona calificada y utilice sólo piezas de repuesto originales. Esto garantizará que se mantenga la seguridad de la herramienta neumática.

Instrucciones de seguridad

Antes de comenzar a trabajar

- Se permite trabajar con la herramienta neumática a las personas en forma física apropiada requerida para operar herramientas neumáticas de este tamaño, peso y capacidad.
- Durante el funcionamiento, así como la reparación, el mantenimiento y el cambio de los accesorios de la herramienta neumática, es obligatorio usar gafas de seguridad a prueba de golpes, como en el caso

de colisión del cabezal sujetador, los accesorios o la herramienta neumática en sí, los fragmentos pueden volar a alta velocidad.

- Nunca encienda la herramienta neumática cuando usted esté en movimiento. Las partes giratorias de la herramienta de aire pueden enrollarse sobre la ropa o el cabello y producir una lesión.
- Las manijas de las herramientas neumáticas pueden recibir el flujo de aire comprimido lo que producirá la refrigeración de las manos, así que siempre use guantes protectores. Los guantes de protección deben quedar justos, los guantes sueltos pueden entrar en las partes giratorias de la herramienta de aire y causar lesiones graves.
- Asegúrese de controlar el estado del portaherramientas y las llaves de tubo. El daño en el portaherramientas o las llaves de tubo (grietas, astillas, etc.) genera vibración elevada durante la operación, también se pueden romper y sus piezas, descartadas a alta velocidad, pueden causar lesiones.
- Utilice detectores especiales para encontrar sistemas ocultos de energía, gas y agua, o consulte a la compañía local de servicios públicos para obtener información. El contacto con el cableado puede provocar un incendio y una descarga eléctrica. Los daños en la tubería de gas pueden causar una explosión. Los daños en la tubería de agua producen daños materiales.
- Nunca lleve la herramienta neumática sosteniéndola por su manguera.
- Utilice las llaves de tubo especialmente diseñadas para llaves de impacto. Son negras, más duraderas y su diseño contribuye a la operación sin dañar un cabezal de tornillo o de perno. El uso de llaves de tubo estándar puede producir su destrucción y provocar lesiones al usuario.
- Está prohibido cambiar el diseño de las llaves de tubo, así como utilizar puntas extraíbles y dispositivos no diseñados para esta herramienta neumática.
- Asegúrese de utilizar dispositivos de sujeción especiales para tratar piezas de trabajo pequeñas con peso insuficiente para una fijación confiable.
- Si la herramienta neumática está equipada con un silenciador, compruebe siempre que esté bien colocado y en buenas condiciones de funcionamiento.

Durante el funcionamiento

- Durante el funcionamiento colóquese en una posición cómoda, evite posturas complicadas o con las que sea difícil mantener un equilibrio. Cuando trabaje durante períodos de tiempo prolongados, cambie su posición corporal para reducir la fatiga.
- Mantenga sus manos a una distancia segura de las piezas giratorias de la herramienta neumática. Nunca intente sujetar las llaves giratorias o el portaherramientas, ya que puede causar lesiones graves.
- Se debe tener especial cuidado al operar la herramienta en espacios de trabajo reducidos. Cuando recibe la influencia de torques reactivos, la herramienta neumática puede darse vuelta y provocar lesiones en las manos (atascos, lesiones por aplastamiento).
- Sujete firmemente la herramienta neumática y, cuando use la herramienta neumática, colóquese una posición en la que pueda contrarrestar los movimientos causados por fuerzas reactivas o cambie la herramienta de trabajo si se rompe. Si su herramienta neumática está equipada con una manija

adicional, utilícela siempre durante el funcionamiento. Estas precauciones le ayudarán a evitar lesiones.

- Apague la herramienta neumática en caso de fallo del suministro de aire o disminución de la presión de trabajo. Revise la presión de trabajo y vuelva a encender la herramienta neumática cuando la presión de trabajo sea óptima de nuevo.

- Cuando use la herramienta neumática, un operador puede sentir sensaciones desagradables en muñecas, manos, hombros, cuello u otras partes del cuerpo.

- Cuando use la herramienta, puede producirse un contragolpe (un tirón repentino de la herramienta neumática); para evitar efectos negativos (por ejemplo, la pérdida de equilibrio), sujete firmemente la herramienta neumática y mantenga una posición estable.

- No toque las partes móviles de la herramienta de aire mientras trabaja; puede lastimarse (cortes, quemaduras, etc.).

- Durante el funcionamiento, evite el contacto con el cable con corriente. La herramienta neumática no está aislada y el contacto con el cableado con corriente puede causar una descarga eléctrica.

- No ignore los síntomas tales como dolencias a largo plazo, latidos cardíacos rápidos, dolor, picazón, sordera, ardor o entumecimiento. Si se producen estos síntomas, informe al empleador y consulte a un especialista médico calificado.

- La vibración puede ejercer una influencia negativa sobre los nervios y la circulación sanguínea en las muñecas y las manos. Si la piel de los dedos o las muñecas se adormece, pica, duele o se pone pálida, deje de trabajar con la herramienta neumática, informe a su empleador y consulte a un médico.

- Mientras trabaja, sujete la herramienta neumática firmemente, pero no aplique fuerza excesiva, ya que los efectos adversos a la salud causados por la vibración aumentarán.

Símbolos

Los siguientes símbolos se utilizan en este manual de funcionamiento. Por favor, recuerde sus significados. La correcta interpretación de los símbolos permitirá el uso correcto y seguro de la herramienta neumática.

Símbolo	Significado
	Etiqueta con número de serie: CT ... - modelo; XX - fecha de fabricación; XXXXXXX - número de serie.
	Tamaño / tipo de portaherramientas.
	Ancho a través de la cara de la tuerca a ser desenroscado.
	Lea todas las reglas e instrucciones de seguridad.

Símbolo	Significado
	Use gafas de seguridad.
	Use protectores para los oídos.
	Use una máscara antipolvo.
	Use guantes de protección.
	Dirección del movimiento.
	Dirección de la rotación.
	Bloqueado.
	Desbloqueado.
	Atención. Importante.

Un signo que certifica que el producto cumple con los requisitos esenciales de las directivas de la UE y las normas armonizadas de la UE.

	Información útil.
	No deseche la herramienta neumática en un recipiente de basura doméstico.

Uso previsto de la herramienta neumática

La herramienta neumática está diseñada para ajustar y desenroscar los tornillos roscados (pernos, tuercas, tornillos, tornillos de madera, etc.).

Elementos de la herramienta neumática

- 1 Portaherramientas
- 2 Manija adicional *

- 3 Interruptor de combinación (reversa y torque)
- 4 Tapón a rosca
- 5 Interruptor de encendido / apagado
- 6 Conector de entrada
- 7 Enchufe *
- 8 Lubricador *
- 9 Conector de extracción rápida *
- 10 Llave Allen *
- 11 Llave de tubo *
- 12 Varilla de extensión *
- 13 Perno para la sujeción adicional de la manija *
- 14 Orificio de salida
- 15 Orificio para el llenado de aceite

* Accesorios

No todos los accesorios fotografiados o descritos están incluidos en el envío estándar.

Conexión al compresor (vea la fig. 3-4)



Nota: asegúrese de que la presión de aire no sea inferior a la especificada en la tabla "Especificación de la herramienta neumática", de lo contrario la herramienta neumática funcionará con menos eficiencia.



Para proteger la herramienta de aire contra daños, contaminación y corrosión, el aire comprimido suministrado debe ser purificado de partículas extrañas y humedad. Se recomienda utilizar dispositivos especiales (filtros, deshumidificadores o unidades específicas para la preparación del aire).

- **CT38085, CT38116, CT38083, CT38084** - sacar el tapón 7 (vea la fig. 4.1).
- Enrosque el conector de extracción rápida 9 en el conector de entrada 6 (vea la fig. 3.1, 4.2). Cuando enrosque el conector desmontable rápido 9, se recomienda sujetar el conector de entrada 6 con una llave plana.
- Conecte la manguera de aire con el adaptador de extracción rápida al conector de extracción rápida 9 (vea la fig. 3.2, 4.3). Asegúrese de que la manguera de aire esté firmemente fijada en el conector de extracción rápida 9 (el adaptador de extracción rápida debe encajar en la manguera de aire).

Instalación / regulación

Antes de la ejecución de cualquier procedimiento, desconecte la herramienta neumática del compresor.



No apriete demasiado los elementos de ajuste para evitar dañar el hilo.



El montaje / desmontaje / configuración de algunos de los elementos es el mismo para todos los modelos de herramientas neumáticas, en este caso los modelos específicos no están indicados en la ilustración.

Colocación / extracción de la llave de tubo (vea la fig. 1.1)

- Cuando se monte, coloque la llave de tubo 11 en el portaherramientas 1, como se muestra en la figura 1.1.
- Para desmontar, realice las actividades en orden inverso.

Colocación / extracción de la varilla de extensión (vea la fig. 1.2)

[CT38113, CT38115]

- Cuando se monte, coloque la varilla de extensión 12 en el portaherramientas 1, como se muestra en la figura 1.2.
- Para desmontar, realice las actividades en orden inverso.

Colocación / extracción de la manija adicional (vea la fig. 2)

[CT38085, CT38116, CT38083, CT38084]

- Cuando se monte, coloque la manija adicional 2 y atornille los pernos 13 con la ayuda de la llave Allen 10, como se muestra en la figura 2.
- Para desmontar, realice las actividades en orden inverso.

Operación inicial de la herramienta neumática

- Antes del uso, revise todas las conexiones roscadas para asegurarse de que estén firmes, así como también las conexiones y las mangueras.
- Añada aceite a la herramienta neumática, respetando estrictamente las recomendaciones establecidas en la cláusula "Mantenimiento / medidas preventivas para la herramienta neumática".

Encendido / apagado de la herramienta neumática

La herramienta de aire debe estar previamente conectada al compresor.

Encendido:

Presione y mantenga presionado el interruptor de encendido / apagado 5.

Apagado:

Suelte el interruptor de encendido / apagado 5.

Características de diseño de la herramienta neumática

Cambio de las direcciones de rotación y el valor de torque (vea la fig. 5-7)



Mover el interruptor de combinación 3 sólo después de un tope completo de las piezas giratorias de la herramienta neumática.

Rotación en el sentido de las agujas del reloj - mueva el interruptor de combinación **3** como se muestra en las figuras 5.1, 5.3, 6.1, 6.3, 7.1. Al girar el interruptor de combinación **3**, también selecciona el valor de torque (los pasos para el torque se indican con dígitos en el interruptor **3** o el cuerpo de la herramienta neumática).

Rotación en el sentido contrario a las agujas del reloj - mueva el interruptor de combinación **3** como se muestra en las figuras 5.2, 5.4, 6.2, 6.4, 7.2. Al girar el interruptor de combinación **3**, también selecciona el valor de torque (los pasos para el torque se indican con dígitos en el interruptor **3** o el cuerpo de la herramienta neumática).

Recomendaciones sobre el funcionamiento de la herramienta neumática



A veces, después de un largo tiempo de inactividad, la herramienta neumática no se enciende, en este caso es necesario desconectar el suministro de aire y girar manualmente el dispositivo giratorio 1 que sostiene los accesorios varias veces, y después volver a activar la herramienta neumática.

- Conecte la herramienta neumática al compresor como se describió anteriormente.
- Seleccione el sentido de rotación así como el valor del torque utilizando el interruptor de combinación **3**. Puede elegir el valor del torque mediante pruebas prácticas. Después de atornillar, se recomienda comprobar el torque de ajuste utilizando la llave de medición de torque.
- Coloque la llave de tubo **11** en el cabezal del sujetador. **Nota: coloque la llave de tubo 11 en el cabezal del sujetador sólo cuando la herramienta neumática esté apagada.**
- Encienda la herramienta neumática y enrosque o desenrosque. Usted puede elegir la duración de funcionamiento al atornillar mediante pruebas prácticas.
- Apague la herramienta neumática y retire la llave de tubo **11** del cabezal del sujetador.

Mantenimiento / medidas preventivas para la herramientas neumática

Antes de la ejecución de cualquier procedimiento, desconecte la herramienta neumática del compresor.

Limpieza de la rejilla (vea la fig. 3.1, 4.2)

Limpie regularmente la rejilla instalada dentro del conector de entrada **6**.

- Desenrosque el conector de extracción rápida **9** (vea la fig. 3.1, 4.2).

- Quite el polvo y la contaminación de la rejilla.
- Enrosque el conector de extracción rápida **9** según se describió anteriormente.

Lubricación de la herramienta neumática (vea la fig. 8-10)

El agua y las partículas de contaminación en el aire comprimido causan corrosión y conducen al desgaste de las palas, válvulas, etc. Para evitar lo mencionado anteriormente, la herramienta neumática debe lubricarse antes / después de cada uso.

- Coloque unas gotas de aceite (utilice aceite 46#) del lubricador **8** en el conector de entrada **6** (vea la fig. 8-9).
- Conecte la herramienta neumática al compresor y enciéndala durante 5-10 segundos.
- En los modelos **CT38112, CT38113, CT38115, CT38114**, el aceite se puede purgar de los orificios **14** - limpie con un paño.

[CT38085, CT38116, CT38083, CT38084]

- Desenrosque el tapón roscado **4** con la llave Allen **10**.
- Agregue 10 ml de aceite (utilice aceite 46#).
- Enrosque el tapón roscado **4** con la llave Allen **10**.

Servicio de post-venta y servicio de aplicaciones

Nuestro servicio de post-venta responde a sus preguntas sobre el mantenimiento y la reparación de su producto, así como también sobre los repuestos. La información sobre los centros de servicio, los diagramas de las piezas y sobre los repuestos también se puede encontrar en: www.crown-tools.com.

Transporte de las herramientas neumáticas

- Está terminantemente prohibido dejarlas caer para que no se produzca ningún impacto mecánico en el embalaje durante el transporte.
- Cuando se descarguen / carguen, no se permite usar ningún tipo de tecnología que funcione bajo el principio de sujeción de embalajes.

Protección del medio ambiente



Recicle las materias primas en lugar de eliminarlas como basura.

La herramienta neumática, los accesorios y el embalaje deben clasificarse para el reciclado que respete el medioambiente. Las piezas de material plástico están marcadas para un reciclado selectivo. Estas instrucciones están impresas sobre papel reciclado sin la utilización de cloro.

El fabricante se reserva la posibilidad de incluir cambios.

Español

Especificações da ferramenta de ar

Chave de impacto pneumática	CT38112	CT38113	CT38115	CT38114	CT38085	CT38116	CT38083	CT38084
Código da ferramenta de ar consulte a página 10-12								
rotações sem carga	[min ⁻¹]	9800	8000	4600	4200	3200	3600	3300
Pressão de funciona- mento recomendada	[bar] [psi]	6-8 87-116	6-8 87-116	6-8 87-116	8-12 116-174	8-10 116-145	8-12 116-174	8-12 116-174
Consumo de ar em vazio	[m ³ /min]	≤1,08	≤1,08	≤1,2	≤1,2	≤1,5	≤1,3	≤1,3
Binário máximo	[Nm]	520	660	1200	2180	3200	3260	3800
Diâmetro mínimo do parafuso / porca		M10	M10	M14	—	M18	—	—
Diâmetro máximo do parafuso / porca		M12	M16	M22	M39	M42	M48	M48
Do suporte da ferra- menta	[mm] [polegadas]	9,5 3/8"	12,7 1/2"	19 3/4"	25,4 1"	25,4 1"	25,4 1"	25,4 1"
Rosca do conector do ar		1/4"	1/4"	3/8"	1/2"	1/2"	1/2"	1/2"
Ø interno da mangue- ira do ar	[mm] [polegadas]	10 25/64"	10 25/64"	13 33/64"	13 33/64"	13 33/64"	13 33/64"	13 33/64"
Peso	[kg] [lb]	1,6 3.53	2,6 5.73	4 8.82	14 30.86	16,1 35.49	18,5 40.79	19 41.89
Pressão sonora	[dB(A)]	—	—	—	108	—	111	109
Potência sonora	[dB(A)]	96	96	102	119	102	122	120
Vibrações	[m/s ²]	3,2	4,2	7,6	11	9,4	13	14

Informações sobre ruído



Use protectores auditivos quando a potência sonora ultrapassar 85 dB(A).

CE Declaração de conformidade

Declaramos sob nossa responsabilidade que o produto descrito em "Especificações da ferramenta de ar" se encontra em conformidade com todas as provisões relevantes das diretivas 2006/42/CE, incluindo respetivas correções, e encontra-se em conformidade com as seguintes normas: EN1953:2013.

Gestor de
certificação

Wu Cunzhen

Merit Link International AG
Stabio, Suíça, 01.05.2017

Avisos gerais de segurança



Antes de instalar, utilizar, reparar, proceder à manutenção e substituir acessórios, bem como antes de trabalhar perto da ferramenta de ar, leia e siga todas as instruções. Não seguir os avisos de segurança pode dar origem a lesões sérias. Guarde todos os avisos de segurança e instruções para futuras referências e disponibilize-as para o operador.

Segurança na área de trabalho

- Preste atenção às superfícies que possam ficar escorregadias devido à utilização da máquina e com a mangueira pneumática ou hidráulica. Escorregar, tropeçar e cair são as principais razões para lesões no local de trabalho.
- Não utilize a ferramenta de ar em ambientes explosivos, tal como na presença de líquidos inflamáveis, gases ou pó. Enquanto trabalha, podem ser criadas faíscas que podem incendiar pó ou fumos.
- Mantenha as crianças e pessoas que passem afastadas do local de trabalho enquanto trabalhar com a ferramenta de ar. Distrações de outras pessoas podem causar a perda de controlo da ferramenta de ar.

Segurança da ferramenta de ar

- Nunca oriente o fluxo do ar contra si nem contra outras pessoas. Oriente o ar frio para longe das suas mãos. O ar comprimido pode dar origem a lesões sérias.
- Verifique as ligações e as linhas de abastecimento de ar. Todas as unidades de manutenção, acopladores e mangueiras deverão estar em conformidade com as especificações em termos de pressão e volume do ar. Pressão demasiado baixa anula a função da ferramenta de ar. Pressão demasiado alta pode dar origem a danos no material e lesões pessoais.
- Proteja as mangueiras de dobras, restrições, solventes e extremidades afiadas. Mantenha as mangueiras afastadas do calor, óleo e peças rotativas.

Substitua imediatamente uma mangueira danificada. Uma linha de alimentação do ar que esteja defeituosa pode dar origem a uma mangueira de ar comprimido sem controlo, o que pode dar origem a lesões pessoais. Pó e lascas criadas podem causar lesões oculares sérias.

- Certifique-se de que as braçadeiras da mangueira ficam sempre bem apertadas. Braçadeiras da mangueira soltas ou danificadas podem dar origem a uma fuga descontrolada do ar.

Segurança pessoal

- Mantenha-se alerta, observe o que está a fazer e use senso comum quando utilizar uma ferramenta de ar. Não utilize uma ferramenta de ar enquanto estiver cansado ou sobre o efeito de drogas, álcool ou medicação. Um momento de falta de atenção enquanto trabalha com ferramentas de ar pode resultar em lesões pessoais sérias.
 - Use equipamento pessoal de proteção. Utilize sempre proteção ocular. Usar equipamento pessoal de proteção, como máscara respiratória, calçado de segurança anti-derrapante, capacete ou proteção auditiva, de acordo com as instruções do seu empregador, ou conforme exigido pelas provisões de segurança e saúde no trabalho, reduz o risco de lesões pessoais.
 - Evite ligações sem intenção. Certifique-se de que a ferramenta de ar é desligada antes de a ligar à alimentação do ar, antes de a segurar ou transportar. Quando o seu dedo está no interruptor de ligar / desligar enquanto transporta a ferramenta de ar ou quando ligar a ferramenta de ar à alimentação do ar enquanto estiver ligada à alimentação elétrica pode dar origem a acidentes.
 - Retire quaisquer ferramentas de ajuste antes de ligar a ferramenta de ar. Uma chave de ajuste ou uma chave deixada ligada a uma peça rotativa da ferramenta de ar pode dar origem a lesões pessoais.
 - Não se estique. Mantenha sempre a base e o equilíbrio adequados. Isto permite um melhor controlo da ferramenta de ar em situações inesperadas.
 - Vista-se adequadamente. Não use roupas largas ou joalheria. Mantenha o cabelo, roupa e luvas afastados das partes móveis. Roupas largas, jóias ou cabelo comprido podem ser apanhados pelas peças em movimento.
 - Se forem fornecidos dispositivos para a ligação de extração de pó e facilidades de recolha, certifique-se de que estas estão ligadas e de que são devidamente utilizadas. A utilização da recolha do pó pode reduzir os perigos relacionados com o pó.
 - Não inspire diretamente o ar de saída. Evite expor os olhos ao ar de saída. O ar de saída da ferramenta de ar pode conter água, óleo, partículas de metal e lixo do compressor. Isto pode causar danos na sua saúde.
- ### Utilização e cuidados da ferramenta de ar
- Use dispositivos de fixação ou um torno para fixar e suportar a peça a ser trabalhada. Segurar a peça a ser trabalhada à mão ou contra o seu corpo não permite uma utilização segura da ferramenta de ar.
 - Não sobreacregue a ferramenta de ar. Use a ferramenta de ar correta para o seu trabalho. A ferramenta de ar correta fará o trabalho melhor e de forma mais segura à taxa para a qual foi criada.
 - Não use uma ferramenta de ar que tenha um interruptor de ligar / desligar defeituoso. Qualquer ferra-

menta de ar que não possa ser controlada pelo interruptor torna-se perigosa e tem de ser reparada.

- Desligue a alimentação do ar antes de efetuar quaisquer ajustes, mudar de acessórios ou quando não usar durante um longo período de tempo. Esta medida de segurança previne uma ligação sem intenção da ferramenta de ar.

- Mantenha as ferramentas de ar fora do alcance das crianças quando não as utilizar. Não permita que pessoas não familiarizadas com a ferramenta de ar ou com estas instruções utilizem o aparelho. As ferramentas de ar são perigosas nas mãos de utilizadores sem formação.

- Proceda à manutenção da ferramenta de ar. Verifique se existem desalinhamentos ou bloqueios das peças móveis, peças partidas e quaisquer outras condições que possam afetar o funcionamento da ferramenta de ar. Leve as peças danificadas para serem reparadas antes de usar a ferramenta de ar. Muitos acidentes são causados por ferramentas de ar mantidas de forma pouco eficiente.

- Mantenha as ferramentas de corte afiadas e limpas. Ferramentas devidamente mantidas com arestas de corte afiadas são menos fáceis de prender e mais fáceis de controlar.

- Use a ferramenta de ar, acessórios e ferramentas de aplicação, etc., de acordo com estas instruções. Tenha em conta as condições de funcionamento e as tarefas a serem efetuadas. Isto reduz bastante o aparecimento de pó, vibrações e ruído.

- A ferramenta de ar deverá ser montada, ajustada ou usada exclusivamente por operadores qualificados e treinados.

- A ferramenta de ar não pode ser modificada de modo algum. Modificações podem reduzir a eficácia das medidas de segurança e aumentar os riscos para o operador.

Reparação

A reparação da sua ferramenta de ar deverá ser sempre efetuada por pessoas qualificadas, utilizando apenas peças de substituição idênticas. Tal irá assegurar que a segurança da ferramenta de ar é mantida.

Instruções de segurança

Antes de iniciar o trabalho

- Pessoas com a forma física adequada para utilizar a ferramenta de ar com este tamanho, peso e capacidade, podem trabalhar com ela.

- Durante a operação, bem como durante a reparação, manutenção e substituição dos acessórios da ferramenta de ar, é obrigatório usar óculos de segurança à prova de choque, pois no caso de choque da cabeça de aperto, acessórios ou da própria ferramenta de ar, fragmentos podem sair disparados a alta velocidade.

- Nunca ligue a ferramenta de ar enquanto se desloca. As peças rotativas da ferramenta de ar podem enrolar-se nas roupas ou cabelo, dando origem a lesões.

- As pegadas da ferramenta de ar podem libertar ar com o fluxo de ar comprimido, arrefecendo as mãos. Assim, use sempre luvas de proteção. As luvas de proteção deverão ficar justas. Luvas folgadas podem ficar presas nas peças rotativas da ferramenta de ar, causando lesões sérias.

- Certifique-se de que monitoriza o estado do suporte da ferramenta e chaves de caixa. Chaves de caixa

e suporte da ferramenta danificados (rachas, lascas, etc.) geram uma vibração elevada durante o funcionamento e também podem partir, libertando peças a alta velocidade, o que pode causar lesões.

- Use detetores especiais para encontrar sistemas de alimentação do gás, água e electricidade que estejam ocultos, ou consulte os seus fornecedores locais de serviços públicos para se informar. O contacto com a cablagem pode causar fogo ou choque elétrico. Danos nas tubagens do gás podem causar uma explosão. Danos nas tubagens da água podem dar origem a danos de propriedade.

- Nunca transporte a ferramenta de ar segurando pela mangueira.

- Use as chaves de caixa criadas especialmente para chaves de impacto. Elas são pretas, mais duráveis e o seu design contribui para o funcionamento sem danificar a cabeça de um parafuso. Usar chaves de caixa padrão pode dar origem à sua destruição, o que pode dar origem a lesões no utilizador.

- É proibido mudar o design das chaves de caixa ou usar cabeças amovíveis e dispositivos que não tenham sido criados para esta ferramenta de ar.

- Certifique-se de que usa dispositivos de fixação especiais para tratar pequenas peças que não tenham peso suficiente para uma fixação segura.

- Se a ferramenta de ar vier equipada com um silenciador, verifique sempre se este está devidamente colocado e em boas condições de funcionamento.

Durante o funcionamento

- Durante o funcionamento, adote uma posição confortável, evite posturas estranhas em que seja difícil manter o equilíbrio. Quando trabalhar durante longos períodos de tempo, mude a posição do seu corpo para reduzir a fadiga.

- Mantenha as mãos a uma distância segura das peças em movimento da ferramenta de ar. Nunca tente segurar chaves de caixa rotativas ou o suporte da ferramenta. Pode sofrer lesões sérias.

- Deverá prestar especial atenção quando utilizar a ferramenta em espaços de trabalho confinados. Quando influenciada por binários reativos, a ferramenta de ar pode virar e dar origem a lesões nas mãos (aperções, esmagamento).

- Segure bem a ferramenta de ar e quando a utilizar, adote uma posição em que possa contrabalançar os movimentos causados por forças reativas ou falha na ferramenta de trabalho de substituição. Se a sua ferramenta de ar vier equipada com uma pega adicional, use-a sempre durante a operação. Estas precauções irão ajudar a evitar lesões.

- Desligue a ferramenta de ar caso haja uma falha no abastecimento de ar ou diminuição da pressão de trabalho. Verifique a pressão de trabalho e ligue de novo a ferramenta de ar quando a pressão de funcionamento voltar a ficar ótima.

- Quando utilizar a ferramenta de ar, o operador pode passar por sensações desagradáveis nos pulsos, mãos, ombros, pescoço e outras partes do corpo.

- Quando utilizar a ferramenta, pode ocorrer um resalto da ferramenta de ar. Para evitar efeitos negativos (por exemplo, a perda de equilíbrio), segure bem a ferramenta de ar e mantenha uma posição estável.

- Não toque nas peças móveis da ferramenta de ar durante o trabalho. Pode magoar-se (cortes, queimaduras, etc.).

- Durante a operação, evite o contacto com cablagem com corrente. A ferramenta de ar não está isolada e o

contacto com cablagem com corrente pode causar um choque elétrico.

- Não ignore os sintomas, como dores prolongadas, bater rápido do coração, comichão, surdez, queimaduras ou entorpecimento. Se sentir tais sintomas, informe o seu patrão e consulte um médico qualificado.
- A vibração pode exercer uma influência negativa nos nervos e circulação sanguínea nos pulsos e mãos. Se a pele nos seus dedos ou pulsos ficar entorpecida, com comichão, doer ou perder a cor, pare de trabalhar com a ferramenta de ar, informe o seu patrão e consulte um médico qualificado.
- Enquanto trabalha, segure bem a ferramenta de ar, mas não aplique força excessiva, pois os efeitos adversos na saúde causados pela vibração aumentam.

Símbolos

Os símbolos apresentados a seguir são usados no manual de utilização. Lembre-se do seu significado. A interpretação correta dos símbolos permite uma utilização correta e segura da ferramenta de ar.

Símbolo	Significado
---------	-------------



Autocolante do número de série:
CT ... - modelo;
XX - data de fabrico;
XXXXXXX - número de série.



Tamanho / tipo do suporte da ferramenta.



Largura ao longo da parte plana da porca a ser desapertada.



Leia todos os avisos de segurança e todas as instruções.



Use óculos de proteção.



Use proteções auditivas.



Use máscara respiratória.



Utilize luvas de proteção.



Direção do movimento.

Símbolo	Significado
	Direção de rotação.
	Bloqueado.
	Desbloqueado.
	Atenção. Importante.



Um sinal a certificar que o produto se encontra em conformidade com os requerimentos essenciais das diretivas da UE e normas harmonizadas da UE.



Informação útil.



Não elimine a ferramenta de ar juntamente com o lixo doméstico comum.

Utilização prevista da ferramenta de ar

A ferramenta de ar foi criada para apertar e desapertar fixadores roscados (porcas, parafusos, cavilhas, etc.).

Elementos da ferramenta de ar

- 1 Suporte da ferramenta
- 2 Pega adicional *
- 3 Interruptor combinado (inversão e binário)
- 4 Tampa roscada
- 5 Interruptor de ligar / desligar
- 6 Conetor de entrada
- 7 Tampa *
- 8 Lubrificador *
- 9 Conetor de remoção rápida *
- 10 Chave sextavada *
- 11 Chave de tubo *
- 12 Haste de extensão *
- 13 Parafuso para aperto da pega adicional *
- 14 Orifício de saída
- 15 Orifício de enchimento do óleo

* Acessórios

Nem todos os acessórios apresentados nas ilustrações ou descritos no texto fazem parte das peças fornecidas.

Instalação / regulação

Antes de efetuar qualquer procedimento, desligue a ferramenta de ar do compressor.



Não aperte demasiado os elementos de aperto, para evitar danificar a rosca.



A montagem / desmontagem / preparação de alguns elementos é a mesma para todos os modelos de ferramentas de ar. Neste caso, os modelos específicos não são indicados na ilustração.

Instalar / remover a chave de caixa (consulte a imagem 1.1)

- Quando montar, instale a chave de caixa 11 no suporte da ferramenta 1, conforme apresentado na imagem 1.1.
- As operações de desmontagem são feitas na sequência inversa.

Instalar / remover a haste de extensão (consulte a imagem 1.2)

[CT38113, CT38115]

- Quando montar, instale a haste de extensão 12 no suporte da ferramenta 1, conforme apresentado na imagem 1.2.
- As operações de desmontagem são feitas na sequência inversa.

Instalar / remover a pega adicional (consulte a imagem 2)

[CT38085, CT38116, CT38083, CT38084]

- Quando montar, instale a pega adicional 2 e enrosque os parafusos 13 com a chave sextavada 10, conforme apresentado na Imagem 2.
- As operações de desmontagem são feitas na sequência inversa.

Ligar ao compressor (consulte a imagem 3-4)



Nota: Certifique-se de que a pressão do ar não é inferior à especificada na tabela "Especificações da ferramenta de ar", caso contrário, a ferramenta de ar funcionará com menos eficiência.



Para proteger a ferramenta de ar contra danos, contaminação e corrosão, o ar comprimido fornecido deverá ser purificado de partículas estranhas e humidade.

Recomendamos que utilize dispositivos especiais (filtros, desumidificadores ou unidades específicas de preparação do ar).

- CT38085, CT38116, CT38083, CT38084 - retire a tampa 7 (consulte a imagem 4.1).
- Enrosque um conetor de remoção rápida 9 no conetor de entrada 6 (consulte a imagem 3.1, 4.2). Quando enroscar o conetor de remoção rápida 9,

recomendamos que segure o conetor de entrada 6 usando uma chave de extremidade aberta.

- Ligue a mangueira do ar ao adaptador de remoção rápida 9 (consulte a imagem 3.2, 4.3). Certifique-se de que a mangueira do ar fica bem fixada no conetor de remoção rápida 9 (o adaptador de remoção rápida na mangueira do ar deverá encaixar).

Funcionamento inicial da ferramenta de ar

- Verifique antes de cada utilização o aperto de todas as ligações roscadas, bem como o aperto das ligações e mangueiras.
- Adicione óleo na ferramenta de ar, observando estritamente as recomendações apresentadas na secção "Manutenção da ferramenta de ar / medidas preventivas".

Ligar / desligar a ferramenta de ar

A ferramenta de ar deverá ser ligada com antecedência ao compressor.

Ligar:

Prima e mantenha premido o interruptor de ligar / desligar 5.

Desligar:

Deixe de premir o interruptor de ligar / desligar 5.

Características de design da ferramenta de ar

Alterar as direções rotacionais e valor de binário (consulte a imagem 5-7)



Mova o interruptor combinado 3 apenas após uma paragem completa das peças rotativas da ferramenta de ar.

Rotação no sentido dos ponteiros do relógio - mova o interruptor combinado 3 conforme apresentado nas imagens 5.1, 5.3, 6.1, 6.3, 7.1. Ao rodar o interruptor combinado 3, também seleciona o valor de binário (os passos do binário são indicados com dígitos no interruptor 3 ou estrutura da ferramenta de ar).

Rotação no sentido inverso ao dos ponteiros do relógio - mova o interruptor combinado 3 conforme apresentado nas imagens 5.2, 5.4, 6.2, 6.4, 7.2. Ao rodar o interruptor combinado 3, também seleciona o valor de binário (os passos do binário são indicados com dígitos no interruptor 3 ou estrutura da ferramenta de ar).

Recomendações sobre o funcionamento da ferramenta de ar



Por vezes, após um longo período de tempo inativa, a ferramenta de ar pode não ligar. Neste caso, é necessário desligar a alimentação do ar e rodar manualmente e várias vezes o dispositivo 1 que segura os acessórios. Depois, volte a ligar a ferramenta de ar.

- Ligue a ferramenta de ar ao compressor, conforme descrito anteriormente.
 - Selecione a direção de rotação, bem como o valor de binário, usando o interruptor combinado **3**. Pode escolher o valor de binário através de um teste prático. Após enroscar, recomendamos que verifique o binário de aperto usando uma chave dinamométrica.
 - Instale a chave de caixa **11** na cabeça do fixador.
- Nota: Instale a chave de caixa 11 na cabeça do fixador apenas com a ferramenta de ar desligada.**
- Ligue a ferramenta de ar e rode para os dois lados. Pode escolher a duração de funcionamento quando enroscar através de um teste prático.
 - Desligue a ferramenta de ar e retire a chave de caixa **11** da cabeça do fixador.

Manutenção da ferramenta de ar / medidas preventivas

Antes de efetuar qualquer procedimento, desligue a ferramenta de ar do compressor.

Limpeza da grelha (consulte a imagem 3.1, 4.2.)

Limpe regularmente a grelha instalada no interior do coletor de entrada **6**.

- Desaperte o conector de remoção rápida **9** (consulte a imagem 3.1, 4.2).
- Limpe o pó e contaminação da grelha.
- Enrosque o conector de remoção rápida **9** conforme descrito acima.

Lubrificação da ferramenta de ar (consulte a imagem 8-10)

A água e partículas de poluição no ar comprimido causam corrosão e dão origem ao desgaste das lâminas, válvulas, etc. Para o evitar, a ferramenta de ar deverá ser lubrificada antes / após cada utilização.

- Deite algumas gotas de óleo (use óleo 46#) do lubrificador **8** no conector de entrada **6** (consulte a imagem 8-9).

- Ligue a ferramenta de ar ao compressor e ligue-a durante 5 a 10 segundos.
- Nos modelos **CT38112, CT38113, CT38115, CT38114**, o óleo pode verter dos orifícios **14**. Limpe com um pano.

[CT38085, CT38116, CT38083, CT38084]

- Desenrosque a tampa roscada **4** com a chave sextavada **10**.
- Adicione 10 ml de óleo (use óleo 46#).
- Enrosque a tampa roscada **4** com a chave sextavada **10**.

Serviço pós-venda e serviço de aplicação

O nosso serviço pós-venda responde às suas perguntas relativas à manutenção e reparação do seu produto, bem como peças sobresselentes. A informação acerca dos centros de reparação, diagramas das peças e informação sobre peças sobresselentes também pode ser encontrada em: www.crown-tools.com.

Transporte das ferramentas de ar

- Nunca permita que a caixa sofra qualquer impacto mecânico durante o transporte.
- Quando carregar / descarregar, não use qualquer tipo de tecnologia que funcione com o princípio de fixação da caixa com pinças.

Protecção ambiental



Reciclagem de matérias primas em vez de eliminação de lixo.

A ferramenta de ar, acessórios e material de empacotamento deverão ser divididos, para que se faça uma reciclagem amiga do ambiente. Para efeitos de uma reciclagem específica, as peças de plástico dispõem de uma respectiva marcação. Estas instruções foram riadas com papel reciclável isento de cloro.

O fabricante reserva o direito de fazer alterações.

Português

Havali el aletinin teknik şartnamesi

Pnömatik darbeli anahtar	CT38112	CT38113	CT38115	CT38114	CT38085	CT38116	CT38083	CT38084
Havali el aletinin kodu	bkz. sayfa 10-12							
Boştaki devir	[dk ⁻¹]	9800	8000	4600	4200	3200	3600	3300
Tavsiye edilen çalışma basıncı	[bar] [psi]	6-8 87-116	6-8 87-116	6-8 87-116	8-12 116-174	8-10 116-145	8-12 116-174	8-12 116-174
Boştaki çalışmada hava tüketimi	[m ³ /dk]	≤1,08	≤1,08	≤1,2	≤1,2	≤1,5	≤1,3	≤1,3
Maks. tork	[Nm]	520	660	800	1200	3200	3260	3800
Min. civata / somun çapı		M10	M10	M10	M14	M18	—	—
Maks. civata / somun çapı		M12	M16	M16	M22	M42	M48	M48
Takım tutucu	[mm] [inç]	9,5 3/8"	12,7 1/2"	12,7 1/2"	19 3/4"	25,4 1"	25,4 1"	25,4 1"
Hava bağlantı rekorunun dişi		1/4"	1/4"	1/4"	3/8"	1/2"	1/2"	1/2"
Hava hortumunun iç çapı	[mm] [inç]	10 25/64"	10 25/64"	10 25/64"	13 33/64"	13 33/64"	13 33/64"	13 33/64"
Ağırlık	[kg] [pound]	1,6 3.53	2,6 5.73	2,1 4.63	4 8.82	16,1 35.49	18,5 40.79	19 41.89
Ses basıncı	[dB(A)]	—	—	—	—	—	111	109
Akustik güç	[dB(A)]	96	96	95	102	102	122	120
Ağırlıklı titreşim	[m/s ²]	3,2	4,2	4,2	7,6	9,4	13	14

Gürültü bilgisi



Eğer ses basıncı 85 dB(A) değerini aşarsa her zaman kulak koruyucu takınız.

CE Uyumluluk beyanati

"Havali el aletin teknik şartnamesi" kapsamında tanımlanan ürünün, değişiklikler dahil 2006/42/EC yönetmeliğinin ilgili tüm hükümlerine uygun olduğunu ve aşağıdaki standartlara uygun olduğunu sadece kendi sorumluluğumuzda beyan etmekteyiz. EN1953:2013.

Onay müdürü

Wu Cunzhen

Merit Link International AG
Stabio, İsviçre, 01.05.2017

Genel güvenlik uyarıları



Havali el aletin çok yakınında çalışmadan önce ve aksesuarları kurmadan, kullanmadan ve onarımını, bakımını ve değişimini yapmadan önce lütfen tüm talimatları okuyun ve bu talimatlara uyun. Aşağıdaki güvenlik talimatlarına uymamak, ağır yaralanmalara neden olabilir. Gelecekte baş vurmak üzere güvenlik uyarıları ve talimatlarının tamamını kaydedin ve bunları kullanıcıya sunun.

Çalışma sahası güvenliği

- Makinenin kullanımından dolayı kayganlaşan zeminlere ve pnömatik veya hidrolik hortuma takılma tehlikelerine karşı dikkatli olun. Kaymak, takılmak ve düşmek iş yeri yaralanmalarının esas sebepleridir.
- Havali el aletini parlayıcı sıvıların, gazların veya tozların bulunduğu alanlar gibi patlayıcı ortamlarda kullanmayın. İş parçası üzerinde çalışırken kıvılcım meydana gelebilir, bu da tozu veya dumanı tutuşturabilir.
- Havali el aletinin kullanımı esnasında çocukları ve izleyicileri çalışma sahanızdan uzak tutun. Diğer kişilerin dikkatini dağıtması havali el aletindeki kontrolünüzü kaybetmenize yol açabilir.

Havali el aletinin güvenliği

- Hava akışını asla kendinize veya yakınızdaki kişilere yönlendirmeyin ve soğuk havayı ellerinizden uzaklaştırın. Sıkıştırılmış hava ağır yaralanmalara neden olabilir.
- Bağlantıları ve hava besleme hatlarını kontrol edin. Bakım ünitelerinin, bağlayıcıların ve hortumların tamamı basınç ve hava hacmi bakımından ürün özelliklerine uymalıdır. Aşırı düşük basınç havali el aletinin işlevini bozar; aşırı yüksek basınç ise malzemenin zarar görmesine ve fiziksel yaralanmaya neden olabilir.
- Hortumların dolaşmasını ve sıkıştırılmasını önleyin ve hortumları çözücülerden ve keskin kenarlardan koruyun. Hortumları ısıdan, yağdan ve dönen parçalardan uzak tutun. Zarar gören bir hortumu

hemen değiştirin. Hava besleme hattındaki bir bozukluk havanın hortumda sıkışmasına ve fiziksel yaralanmaya yol açabilir. Havaya yükselen tozlar veya parçacıklar gözlerde ağır yaralanmaya neden olabilir. • Hortum kelepeçlerinin daima sımsıkı olduğundan emin olun. Gevşek veya zarar görmüş hortum kelepeçleri kontrolsüz hava kaçağına neden olabilir.

Kişisel güvenlik

- Havali el aletinin kullanırken tetikte olun, ne yaptığınızı bilincinde olun ve sadıduyulu davranın. Havali el aletini ilaç, alkol veya uyuşturucu etkisi altındayken kullanmayın. Havali el aletini kullanım esnasında artık bir dikkatsizlik fiziksel yaralanmaya yol açabilir.
- Kişisel koruyucu ekipmanlar kullanın. Daima koruyucu gözlük takın. Gaz maskesi, kaymayan güvenlik ayakkabısı, kask veya kulak tıkaçı gibi kişisel koruyucu ekipmanları, işvereninizin talimatlarına veya çalışma ve sağlığın korunması hükümlerine göre kullanmanız fiziksel yaralanma riskini düşürmektedir.
- Aletini istemsiz başlatılmasını engelleyin. Havali el aletini hava beslemesine bağlamadan, yerden kaldırmadan veya taşımadan önce aletini kapalı olduğundan emin olun. Havali el aletini taşıırken parmağınız açma / kapama tuşunda ise veya aleti hava beslemesine bağlarken açık konumda ise kaza meydana gelebilir.
- Havali el aletini açmadan önce ayarlamaya gereçlerinin tamamını kaldırın. Bir İngiliz anahtarının veya anahtarın aletini dönen kısma takılı bırakılması fiziksel yaralanmaya yol açabilir.
- Fazla uzanmayın. Dayanağın ve dengeyi daima doğru olmasını sağlayın. Böylece havali el aleti, beklenmeyen durumlarda daha iyi kontrol edilir.
- Doğru giyinin. Bol giysiler giymeyin veya takı takmayın. Saçınızı, giysilerinizi ve eldivenlerinizi hareketli parçalardan uzak tutun. Aksi takdirde giysileriniz, takılarınız veya saçınız hareketli parçalara sıkışabilir.
- Toz çıkarma ve toplama vasıtalarının bağlantısına yönelik cihazlar var ise bu cihazların doğru bağlandığından ve kullanıldığından emin olun. Toz toplama vasıtasının kullanımı toz ilişkili tehlikeleri azaltabilir.
- Atık havayı doğrudan solumayın. Gözlerinizin atık havaya maruz kalmasını önleyin. Havali el aletinden çıkan egzoz havası, kompresörden gelen su, yağ, metal parçacıklar ve döküntü içerebilir. Bu da etraftaki kişilerin sağlığının bozulmasına neden olabilir.

Havali el aletinin kullanımı ve bakımı

- İş parçasını sağlamlaştırmak ve desteklemek için tutturma aygıtları veya mengene kullanın. İş parçasını elle veya gövde hizasında tutmak havali el aletinin güvenli çalışmasını engelleyecektir.
- Havali el aletine aşırı yüklemeyin. Aleti çalışma amacının doğrultusunda kullanın. Doğru seçilen havali el aleti, tasarlandığı hızda işi daha iyi ve daha güvenli bir şekilde yerine getirecektir.
- Açma / kapama tuşu arızalı olan havali el aletini kullanmayın. Tuştan kontrol edilemeyen bir havali el aleti tehlike arz eder ve onarılması gerekir.
- Ayarlama yapmadan ve aksesuarları değiştirmeden önce veya kullanıma uzun bir süre ara verileceğinde hava beslemesinin bağlantısını kesin. Bu güvenlik önlemi havali el aletinin kaza eseri çalışmasını engellemektedir.
- Rölanti hava aletlerini çocukların ulaşamayacağı bir yerde saklayın. Havali el aletini veya aleti çalıştırma talimatlarını çok iyi bilmeyen kişilerin kullanmasına

izin vermeyin. Havalı el aletleri eğitimsiz kişilerin kullanımında tehlike arz eder.

- Havalı el aletinin bakımını dikkatle yapın. Hareketli parçalarda hizasızlık veya tutukluk durumunu, parçalarda kırılma durumunu veya havalı el aletinin çalışmasını etkileyebilecek diğer koşulları kontrol edin. Havalı el aletini kullanmadan önce hasarlı parçaların onarımını sağlayın. Birçok kaza, yeterli bakımı yapılmamış aletlerden kaynaklanmaktadır.
- Kesme aletlerini keskin ve temiz tutun. Bakımı doğru yapılmış ve keskin kesme uçları olan kesme aletlerinin tutukluk yapma ihtimali daha azdır ve kontrolü daha kolaydır.
- Havalı el aletini, aksesuarları, uygulama aletlerini vs. bu talimatlara uygun olarak kullanın. Çalışma koşullarını ve gerçekleştirilmesi gereken faaliyetleri dikkate alın. Böylece toz, titreşim ve gürültü oluşumu en üst düzeye azaltılır.
- Havalı el aleti yalnızca nitelikli ve eğitilmiş operatörler tarafından kurulmalı, ayarlanmalı veya kullanılmalıdır.
- Havalı el aletinde asla değişiklik yapılmaz. Yapılan değişiklikler güvenlik önlemlerinin etkinliğini azaltabilir ve operatörün maruz kalacağı riskleri artırabilir.

Servis

Havalı el aletinizin sadece nitelikli bir yetkili tarafından onarılmasını ve yalnızca orijinal değişim parçalarının kullanılmasını sağlayın. Böylece havalı el aletinizin güvenliği korunacaktır.

Güvenlik talimatları

İşe başlamadan önce

- Bu büyüklükte, ağırlıkta ve kapasitedeki havalı el aletini çalıştırması gereken uygun fiziksel kondisyonu olan kişilerin havalı el aletiyle çalışmasına müsaade edilmektedir.
- Havalı el aleti aksesuarlarının onarımı, bakımı ve değişiminin yanı sıra çalışması sırasında darbeye dayanıklı emniyet gözlüğü takmak zorunludur, çünkü bağlantı elemanları başlığının, aksesuarların veya havalı el aletinin çarpması durumunda parçaları yüksek hızda etrafa saçılabilir.
- Hareket halindeyken asla havalı el aletini açmayın. Havalı el aletinin dönen parçaları kıyafetlere veya saçla dolanarak yaralanmaya neden olabilir.
- Havalı el aletinin tutma yerleri basınçlı hava akışıyla soğuyabilir, bu nedenle daima koruyucu eldiven takın. Koruyucu eldiven elleri tamamen sarmalıdır. Büyük gelen eldiven havalı el aletinin dönen parçalarına sıkışabilir ve ağır yaralanmalara yol açabilir.
- Alet tutucusunun ve boru anahtarlarının durumunu takip ettiğinizden emin olun. Hasar görmüş alet tutucusu ve boru anahtarları (çatlaklar, küçük hasarlar vs.) çalışma süresince giderek artan bir titreşim meydana getirir. Bu elemanlar bozulabilir ve yüksek hızda saçılan parçalar yaralanmaya neden olabilir.
- Gizli enerjili, gazlı ve su sağlama sistemlerini bulmak için özel detektörler kullanın veya bilgi almak için yerel bir kamu hizmeti kuruluşuna başvurun. Kablo/maya temas etmek yangına ve elektrik çarpmasına neden olabilir. Gaz boru hattı hasarı patlamaya yol açabilir. Su boru hattında hasar meydana gelmesi mülkün zarar görmesine neden olabilir.
- Havalı el aletini asla hortumundan tutarak taşımayın.

- Özellikle darbeli anahtarlar için tasarlanmış boru anahtarlarını kullanın. Bunlar siyah renklidir daha dayanıklıdır ve tasarımları vida veya civata başı olmadan çalışmaya uygundur. Standart boru anahtarları kullanmak tahribe neden olarak kullanıcıyı yaralayabilir.
- Sökülebilir uçları ve bu havalı el aleti için tasarlanmamış cihazları kullanmak ve boru anahtarların tasarımını değiştirmek yasaktır.
- Üzerinde çalışılacak olan parçaları işlemeye uygun özel kenetleme cihazlarını kullandığınızdan emin olun, çünkü bu parçalar, güvenilir bir sabitleme işlemi için yeterli ağırlığa sabit değildir.
- Havalı el aleti, bir susturucuyla donatılmışsa susturucunun doğru yere yerleştirildiğini ve iyi koşullarda çalıştığını kontrol edin.



Çalışma süresince

- Çalışma süresince rahat bir konumunuz olsun, konantrasyonunuzu koruyun ve dengeyi bozabilecek vücut pozisyonlarından kaçının. Uzun süre çalışırken yorgunluğa azaltmak için vücut pozisyonunu değiştirin.
- Ellerinizi, havalı el aletinin dönen parçalarından güvenli bir mesafede olacak şekilde konumlandırın. Dönmekte olan boru anahtarlarını veya alet tutucusunu asla tutmaya çalışmayın. Aksi takdirde ciddi yaralanmalara neden olabilir.
- Aleti sınırlı çalışma alanlarında çalıştırırken özel dikkat gösterilmelidir. Havalı el aleti, tepkili dönme momentinden etkilendiğinde havalı el aleti ters dönebilir ve elleri yaralayabilir (sıkışma, ezme yaraları).
- Havalı el aletinin sıkıca tutun ve çalıştırdığınızda tepkili kuvvetlerin neden olabileceği hareketlere karşılık verebilecek bir konuma geçin. Havalı el aletinde ek bir tutamak mevcut ise bu tutamağı daima çalışma esnasında kullanın. Bu önlemler yaralanmaların önlenmesine yardımcı olacaktır.
- Hava beslemesinin arızalanması veya çalışma basıncının düşmesi durumunda havalı el aletini kapatın. Çalışma basıncını kontrol edin ve çalışma basıncı tekrar ideal hale geldiğinde havalı el aletini yeniden açın.
- Havalı el aletini çalıştırırken kullanıcı bileklerinde, ellerinde, omuzlarında, boynunda ve vücudunun diğer kısımlarında sıkıntılı bir durum hissedebilir.
- Aleti çalıştırırken geri tepme meydana gelebilir (havalı el aletinin aniden hareket etmesi); olumsuz etkilerden (örneğin, denge kaybı) korunmak için, havalı el aletini sıkıca tutun ve sağlam bir konum alın.
- Çalışma sırasında havalı el aletinin hareketli kısımlarına dokunmayın - yaralanabilirsiniz (kesikler, yanıklar vs.).
- Çalışma sırasında akımlı kablolarla temas etmekten kaçının. Havalı el aletinin yalıtımı yoktur ve akımlı kablolarla temas etmek elektrik çarpmasına neden olabilir.
- Uzun süreli keyifsizlik, hızlı kalp atışı, ağrı, kaşınma, ağır işitme, yanma veya uyuşma gibi semptomları görmezden gelmeyin. Bu gibi semptomlar meydana geliyor ise lütfen işverene bilgi verin ve nitelikli bir tıp uzmanına danışın.
- Titreşim, bileklerde ve ellerde bulunan sinirleri ve kan dolaşımını olumsuz etkileyebilir. Parmaklarınızın veya bileklerin uyuşuyor, kaşınıyor, acıyor veya rengi soluyor ise havalı el aletle çalışmaya durdurun, işverene bilgi verin ve bir doktora danışın.
- Çalışma sırasında havalı el aletini sıkıca tutun, fakat fazla kuvvet uygulamayın, çünkü titreşimin sağlığa olan olumsuz etkileri artacaktır.

Simgeler

Çalıştırma kılavuzunda aşağıdaki simgeler kullanılmaktadır. Lütfen anlamlarını unutmayın. Simgelerin doğru yorumlanması havalı el aletinin doğru ve güvenli kullanılmasını sağlayacaktır.

Sembol	Anlamı
	Seri numarası etiketi: CT ... - model; XX - üretim tarihi; XXXXXXX - seri numarası.
	Alet tutucusunun büyüklüğü / tipi.
	Sökülecek olan somunun anahtar ağız genişliği.
	Tüm güvenlik yönetmeliklerini ve talimatlarını okuyun.
	Koruyucu gözlükler.
	Kulak koruyucuları takın.
	Toz maskesi takın.
	Koruyucu eldivenler giyin.
	Hareket yönü.
	Dönüş yönü.
	Kilitli.
	Kilidi açık.
	Dikkat. Önemli.
	Ürünün AB yönetmeliklerinin ve uyumlu hale getirilmiş AB standartlarının temel gereksinimleriyle uyumlu olduğuna doğrulayan bir işaret.

Sembol	Anlamı
	Faydalı bilgiler.
	Havalı el aletini evsel atık kabında bertaraf etmeyin.

Havalı el aletinin kullanım amacı

Havalı el aleti, dışı bağlantı elemanlarını (civatalar, somunlar, ağaç vidaları vs.) sıkamak ve sökmek için tasarlanmıştır.

Havalı el aletinin elemanları

- 1 Alet tutucusu
- 2 Ek tutamak *
- 3 Kombinasyon anahtarı (ters ve dönme momenti)
- 4 Dişli tapa
- 5 Açma / kapama düğmesi
- 6 Giriş konektörü
- 7 Fiş *
- 8 Yağlayıcı *
- 9 Hızlı sökülebilir konektör *
- 10 Alyan anahtarı *
- 11 Boru anahtarı *
- 12 Uzatma çubuğu *
- 13 Ek tutamak sabitleme civatası *
- 14 Çıkış deliği
- 15 Yağ dolmuş deliği

* Aksesuar

Tanımlanan ve şekilleri gösterilen aksesuar kısmen teslimat kapsamına dahil değildir.

Kurulum / düzenleme

Prosedürleri uygulamadan önce havalı el aleti ile kompresörün bağlantısını kesin.



Dişliye zarar vermektan kaçınmak için sabitleme öğelerini çok sıkı hazırlamayın.



Bazı elemanları takma / sökme / kurma işlemleri havalı el modellerinin tamamında aynıdır. Bu durumda özel modeller resimlendirilmemiştir.

Boru anahtarını takma / sökme (bkz. şek. 1.1)

- Montaj sırasında boru anahtarını 11 alet tutucusu 1 üzerine şekil 1.1'de gösterildiği gibi takın.
- Sökme işlemlerini, bu sıralamanın tersini uygulayarak gerçekleştirin.

Uzatma çubuğunu takma / sökme (bkz. şek. 1.2)

[CT38113, CT38115]

- Montaj sırasında uzatma çubuğunu 12 alet tutucusu 1 üzerine şekil 1.2'de gösterildiği gibi takın.
- Sökme işlemlerini, bu sıralamanın tersini uygulayarak gerçekleştirin.

Ek tutamağı takma / sökme (bkz. şek. 2)

[CT38085, CT38116, CT38083, CT38084]

- Montaj sırasında ek tutamağı 2 yerleştirin ve şekil 2'de gösterildiği gibi alyan anahtar 10 yardımıyla cıvataları 13 sıkın.
- Sökme işlemlerini, bu sıralamanın tersini uygulayarak gerçekleştirin.

Kompresöre bağlama (bkz. şek. 3-4).



Not: Havalı el aleti basıncının "Havalı el aleti teknik şartnamesi" tablosunda belirtilen değerden daha az olmadığından emin olun. Aksi takdirde havalı el aleti daha az verimle çalışacaktır.



Havalı el aletini hasardan, kirlenmeden ve aşınmadan korumak için verilen basınçlı hava, yabancı parçacıklardan ve rutubetten arındırılmalıdır. Özel cihazların (filtreler, nem gidericiler veya özel hava hazırlama üniteleri) kullanılması tavsiye edilir.

- CT38085, CT38116, CT38083, CT38084 - fişi 7 çıkarın (bkz. şek. 4.1).
- Hızlı sökülebilir konektörü 9, giriş konektörüne 6 vidalayın (bkz. şek. 3.1, 4.2). Hızlı sökülebilir konektörü 9 vidalarken iki ağızlı anahtar kullanarak giriş konektörünün 6 tutulması tavsiye edilir.
- Hızlı sökülebilir adaptörle hava hortumunu hızlı sökülebilir konektöre 9 bağlayın (bkz. şek. 3.2, 4.3). Hava hortumunun hızlı sökülebilir konektör 9 üzerine iyice sabitlendiğinden emin olun (hava hortumunun üzerinde bulunan hızlı sökülebilir adaptör kapanmalıdır).

Havalı el aletinin ilk olarak çalıştırılması

- Kullanmadan önce bağlantıların ve hortumların sıklığının yanı sıra vidalı tüm bağlantıların sıklığını kontrol edin.
- "Havalı el aletinin bakımı / önleyici tedbirler" maddesinde belirtilen tavsiyelere harfiyen uyarak havalı el aletinin içine yağ ekleyin.

Havalı el aletini açma / kapama

Havalı el aleti kompresöre önceden bağlanmış olmalıdır.

- **Açma:**
Tuşa 5 basın ve basılı tutun.
- **Kapatma:**
Tuşa 5 serbest bırakın.

Havalı el aletinin tasarım özellikleri

Dönme yönlerini ve dönme momentinin değerini değiştirme (bkz. şek. 5-7).



Kombinasyon anahtarını, sadece havalı el aletinin dönen parçaları tamamen durduktan sonra hareket ettirin.

Saat yönünde dönüş - kombinasyon anahtarını 3, şekil 5.1, 5.3, 6.1, 6.3 ve 7.1'de gösterildiği gibi hareket ettirin. Kombinasyon anahtarını 3 döndürerek aynı zamanda dönme momentinin değerini de seçersiniz (dönme momenti adınımları, anahtar 3 veya havalı el aletinin gövdesi üzerindeki rakamlarla gösterilir).

Saat tersi yönünde dönüş - kombinasyon anahtarını 3, şekil 5.2, 5.4, 6.2, 6.4 ve 7.2'de gösterildiği gibi hareket ettirin. Kombinasyon anahtarını 3 döndürerek aynı zamanda dönme momentinin değerini de seçersiniz (dönme momenti adınımları, anahtar 3 veya havalı el aletinin gövdesi üzerindeki rakamlarla gösterilir).

Havalı el aletini çalıştırmaya ilişkin tavsiyeler



Uzun bir süre kullanılmayan havalı el aleti bazen açılmayabilir. Bu durumda hava beslemesini kapatmak ve aksesuarları tutan cihazı 1 birkaç kere manuel olarak döndürmek gereklidir. Bu işlemden sonra ise havalı el aletini yeniden etkinleştirin.

- Havalı el aletini yukarıda açıklandığı gibi kompresöre bağlayın.
- Kombinasyon anahtarını 3 kullanarak dönme momentinin değeri ile dönüş yönünü seçin. Dönme momentinin değerini tabiki testle seçebilirsiniz. Vidalama işleminden sonra sıkıma dönme momentinin, dönme momenti ölçme anahtarını kullanarak kontrol edilmesi tavsiye edilir.
- Boru anahtarını 11 bağlantı elemanının kafası üzerine takın. **Not: Sadece havalı el aleti kapalıyken boru anahtarını 11 bağlantı elemanının kafası üzerine takın.**
- Havalı el aletini açın ve burma ve açma işlemlerini gerçekleştirin. Vidalama sırasındaki çalışma süresini tabiki testle seçebilirsiniz.
- Havalı el aletini kapatın ve boru anahtarını 11, bağlantı elemanının başlığından sökün.

Havalı el aletinin bakımı / önleyici tedbirler

Prosedürleri uygulamadan önce havalı el aleti ile kompresörün bağlantısını kesin.

Izgaraya temizleme (bkz. şek. 3.1, 4.2)

Giriş konektörünün 6 içine takılan izgarayı düzenli olarak temizleyin.

- Hızlı sökülebilir konektörün 9 vidasını çıkarın (bkz. şek. 3.1, 4.2).
- Izgaradan tozu ve kiri giderin.

- Yukarıda açıklandığı gibi hızlı sökülebilir konektörü **9** vidalayın.

Havalı el aletini yağlama (bkz. şek. 8-10)

Basınçlı havada bulunan su ve kir parçacıkları aşınmaya neden olur ve bıçakların, vanaların vs. aşınmasına yol açar. Bunu önlemek için havalı el aleti her kullanımdan önce / sonra yağlanmalıdır.

- Yağlayıcıdan **8** giriş konektörüne **6** birkaç damla yağ (yağ 46#'yı kullanın) ilave edin (bkz. şek. 8-9).
- Havalı el aletini kompresöre bağlayın ve 5-10 saniye kadar açın.
- **CT38112**, **CT38113**, **CT38115** ve **CT38114** modellerinde yağ deliklerden **14** dışarı taşabilir - taşan yağı bir bezle silin.

[CT38085, CT38116, CT38083, CT38084]

- Alyan anahtarını **10** kullanarak dişli tapanın **4** vidasını çıkarın.
- 10 ml yağ (yağ 46#'yı kullanın) ilave edin.
- Alyan anahtarını **10** kullanarak dişli tapayı **4** vidalayın.

Satış sonrası ve uygulama hizmetleri

Satış sonrası hizmetlerimiz ürününüzün bakım ve tamirinin yanı sıra yedek parçalar konusunda da so-

ruklarınıza yanıt vermektedir. Servis merkezleri, parça diyagramları ve yedek parçalar hakkındaki bilgiler de www.crown-tools.com adresinde mevcuttur.

Havalı el aletini taşıma

- Nakliye sırasında ambalajı üzerine kesinlikle herhangi bir mekanik darbe gelmemelidir.
- Boşaltma / yükleme sırasında, ambalajı sıkıştırma prensibiyle çalışan herhangi bir türde teknolojinin kullanılmasına izin verilmez.

Çevresel koruma



Çöp tasfiyesi yerine hammadde kazanımı.

Havalı el aleti, aksesuarlar ve ambalajlama çevre dostu geri dönüşüm için ayrılmalıdır. Değişik malzemenin tam olarak ayrılıp, yeniden değerlendirme işlemine sokulabilmesi için, plastik parçalar işaretlenmiştir. Bu kullanım talimatı da, klor kullanılmadan ağartılmış, yeniden dönüşümlü kâğıda basılmıştır.

İmalatçı, ürün üzerinde değişiklik yapma hakkını saklı tutar.

Türkçe

Технические данные пневмоинструмента

Пневматический ударный гайковерт		СТЗ8112	СТЗ8113	СТЗ8115	СТЗ8114	СТЗ8085	СТЗ8116	СТЗ8083	СТЗ8084
Код пневмоинструмента		см. страницы 10-12							
Число оборотов холостого хода	[мин ⁻¹]	9800	8000	8000	4600	4200	3200	3600	3300
Рекомендуемое рабочее давление	[бар] [psi]	6-8 87-116	6-8 87-116	6-8 87-116	6-8 87-116	8-12 116-174	8-10 116-145	8-12 116-174	8-12 116-174
Расход воздуха на холостом ходу	[м ³ /мин]	≤1,08	≤1,08	≤1,08	≤1,2	≤1,2	≤1,5	≤1,3	≤1,3
Макс. крутящий момент	[Нм]	520	660	800	1200	2180	3200	3260	3800
Мин. Ø откручиваемых болтов / гаек		M10	M10	M10	M14	—	M18	—	—
Макс. Ø откручиваемых болтов / гаек		M12	M16	M16	M22	M39	M42	M48	M48
Держатель принадлежностей	[мм] [дюймы]	9,5 3/8"	12,7 1/2"	12,7 1/2"	19 3/4"	25,4 1"	25,4 1"	25,4 1"	25,4 1"
Резьба штуцера		1/4"	1/4"	1/4"	3/8"	1/2"	1/2"	1/2"	1/2"
Внутренний Ø воздушного шланга	[мм]	10	10	10	13	13	13	13	13
	[дюймы]	25/64"	25/64"	25/64"	33/64"	33/64"	33/64"	33/64"	33/64"
Вес	[кг]	1,6	2,6	2,1	4	14	16,1	18,5	19
	[фунты]	3,53	5,73	4,63	8,82	30,86	35,49	40,79	41,89
Звуковое давление	[дВ(A)]	—	—	—	—	108	—	111	109
Акустическая мощность	[дВ(A)]	96	96	95	102	119	102	122	120
Вибрация	[м/с ²]	3,2	4,2	4,2	7,6	11	9,4	13	14

Информация о шуме



Носить приспособление для защиты органов слуха при уровне звукового давления свыше 85 dB(A).

CE Соответствия требуемым нормам

Мы заявляем под нашу единоличную ответственность, что описанный в разделе "Технические данные пневмоинструмента" продукт отвечает всем соответствующим положениям Директив 2006/42/ЕС, включая их изменения, а также следующим нормам: EN 1953:2013.

Менеджер по сертификации

Wu Cunzhen

Merit Link International AG
Stabio, Швейцария, 01.05.2017

Общие указания по технике безопасности



Перед монтажом, эксплуатацией, ремонтом, техническим обслуживанием и заменой принадлежностей пневмоинструментов, а также перед работой вблизи них, внимательно прочитайте и выполняйте все указания. Невыполнение нижеследующих указаний может повлечь за собой серьезные травмы.

Сохраняйте указания по технике безопасности и предоставляйте их операторам.

Безопасность на рабочем месте

- Следите за поверхностями, которые могут стать скользкими, вследствие использования пневмоинструмента. Предотвращайте опасность спотыкания о воздушные или гидравлические шланги. Поскальзывание, спотыкание и падение являются основными причинами травм на рабочем месте.
- Не работайте с пневмоинструментом во взрывоопасной среде, в которой находятся горячие жидкости, газы или пыль. При обработке заготовки могут образовываться искры, от которых возможно воспламенение пыли или паров.
- Не подпускайте к рабочему месту посторонних людей, детей и животных. Если Вас отвлекут посторонние, Вы можете утратить контроль над пневмоинструментом, что может стать причиной травмирования.

Техника безопасности при работе с пневмоинструментами

- Никогда не направляйте поток воздуха на себя и других людей или животных, а также не направляйте холодный воздух на руки - это может привести к серьезным травмам.
- Проверяйте соединения и воздушные магистрали. Все узлы техобслуживания, муфты и шланги долж-

ны быть рассчитаны на давление и объем воздуха, указанные в технических данных. Слишком низкое давление отрицательно сказывается на функциональной способности пневмоинструмента, слишком большое давление может нанести материальный ущерб и привести к травмам.

- Защищайте шланги от высоких температур, изгиба и сужения, растворителей и нефтепродуктов, острых краев и вращающихся деталей. Поврежденный шланг необходимо немедленно заменить - он может стать причиной трав (поднятая в воздух пыль или стружка могут поранить глаза) или нанести материальный ущерб.
- Следите за тем, чтобы хомуты воздушного шланга всегда были хорошо затянuty. Вследствие плохой затяжки или повреждения хомутов для шланга возможен неконтролируемый выход воздуха.

Безопасность людей

- При работе с пневмоинструментом будьте внимательны и хорошо обдумывайте свои действия. Не пользуйтесь пневмоинструментами в случае если вы устали, или находитесь под воздействием наркотиков, алкоголя или медикаментов. Потеря внимания во время работы может быть причиной серьезных травм.
- Одевайте рабочую одежду и обязательно надевайте защитные очки. Индивидуальные средства защиты, такие как защита органов дыхания, защитная нескользящая обувь, защитная каска или наушники - в зависимости от инструкций работодателя или требований техники безопасности или санитарных норм - снижают риск травм.
- Избегайте непреднамеренного включения. Перед тем, как подключить пневмоинструмент к источнику воздуха, поднять или перенести его, убедитесь в том, что пневмоинструмент выключен. Переноска пневмоинструмента с пальцем на включателе / выключателе или подключение включенного пневмоинструмента к источнику воздуха могут привести к несчастным случаям.
- Перед включением, необходимо убрать из вращающихся частей пневмоинструмента все дополнительные ключи и приспособления. Ключ, оставленный во вращающейся части пневмоинструмента, может быть причиной серьезных травм.
- Не прилагайте избыточных усилий, занимайте устойчивое положение и всегда сохраняйте равновесие, это поможет сохранять контроль над пневмоинструментом.
- Не носите просторную одежду или свисающие украшения. Берегите волосы, части одежды и перчатки от движущихся частей пневмоинструмента.
- Если пневмоинструмент оборудован устройством для сбора пыли, убедитесь в том, что это устройство подключено и правильно используется. Использование таких устройств снижает концентрацию пыли на рабочем месте.
- Не вдыхайте напрямую отработанный воздух. Избегайте попадания отработанного воздуха в глаза. Отработанный воздух, выходящий из пневмоинструмента, может содержать воду, масло, металлические частички и загрязнения из компрессора. Это чревато ущербом для здоровья.

- Используйте зажимные устройства или тиски для фиксации обрабатываемого материала. Придерживая обрабатываемую деталь рукой или прижимая ее к телу, нельзя обеспечить безопасность при работе с пневмоинструментом.
- Не перегружайте пневмоинструмент. Используйте пневмоинструмент, который специально предназначен для Вашего вида работ. Подходящий пневмоинструмент работает лучше и надежнее в узком диапазоне от него диапазоне мощности.
- Не используйте пневмоинструмент с поврежденным выключателем / выключателем. Пневмоинструмент, который не включается или не выключается, опасен и требует ремонта.
- Отключайте подачу воздуха перед настройкой инструмента, заменой принадлежностей или если Вы долгое время не будете его использовать. Эта мера предосторожности предотвращает непреднамеренное включение пневмоинструмента.
- Храните неиспользуемые пневмоинструменты в недоступном для детей месте. Не разрешайте пользоваться пневмоинструментом лицам, которые не знакомы с ним или не читали настоящих инструкций. Пневмоинструменты опасны в руках неопытных лиц.
- Тщательно ухаживайте за пневмоинструментом. Следите за тем, чтобы подвижные детали инструмента работали исправно и не заедали, а также чтобы детали, которые могут влиять на работу пневмоинструмента, не были сломаны или повреждены. Перед использованием пневмоинструмента поврежденные детали необходимо отремонтировать. Множество несчастных случаев происходит по причине плохого ухода за пневмоинструментом.
- Режущие инструменты должны содержаться в чистоте и быть хорошо заточенными. Правильно установленные режущие инструменты с острыми режущими кромками уменьшают возможность заклинивания и облегчают управление пневмоинструментом.
- Используйте пневмоинструмент, принадлежности к нему, сменные рабочие инструменты и т.д. в соответствии с настоящими указаниями. Учитывайте при этом условия и специфику выполняемой работы. Это поможет максимально снизить образование пыли, вибрацию и шум.
- Настраивать, регулировать и использовать пневматические инструменты разрешается только квалифицированным и обученным операторам.
- Вносить изменения в пневмоинструмент запрещается. Подобные изменения могут снизить эффективность мер по технике безопасности и повысить риск для оператора.

Сервис

Обслуживание Вашего пневмоинструмента должно производиться квалифицированными специалистами с использованием рекомендованных запасных частей. Это дает гарантию, того что безопасность Вашего пневмоинструмента будет сохранена.

Указания по технике безопасности

Перед началом работы

- К работе пневмоинструментом допускаются лица, имеющие соответствующую физическую форму, необходимую для работы с пневмоинструментом данного размера, веса и мощности.
- При эксплуатации, а также во время ремонта, техобслуживания и замены принадлежностей пневмоинструмента, обязательно носите противоударные защитные очки, так как в случае разрушения головки крепежного элемента, принадлежности или самого пневмоинструмента обломки могут разлетаться с высокой скоростью.
- Никогда не включайте пневмоинструмент при перемещении. Вращающиеся части пневмоинструмента могут намочить одежду или волосы и привести к травмам.
- Рукоятки пневмоинструмента могут обдуваться потоком сжатого воздуха, что приведет к охлаждению рук, поэтому всегда надевайте защитные перчатки. Защитные перчатки должны плотно облегать руки, так как широкие перчатки могут попасть во вращающиеся части пневмоинструмента, что станет причиной серьезных травм.
- Следите за состоянием держателя принадлежностей и торцевых головок. Держатель принадлежностей и торцевые головки, имеющие повреждения (трещины, сколы и т.п.) при работе создают повышенную вибрацию, а также могут разрушиться и их осколки, отброшенные с большой скоростью, могут стать причиной травм.
- Применяйте специальные металлоискатели и детекторы для нахождения скрытых систем электро-, газо- и водоснабжения или обращайтесь за информацией в местное предприятие коммунального снабжения. Контакт с электропроводкой может привести к пожару и поражению электротоком. Повреждение газопровода может привести к взрыву. Повреждение водопровода ведет к нанесению материального ущерба.
- Никогда не переносите пневмоинструмент за шланг.
- Используйте торцевые головки, специально разработанные для ударного гайковерта. Они черного цвета, более прочные, а их конструкция позволяет работать не повреждая головку винта или болта. Использование обычных торцевых головок, может привести к их разрушению, что может стать причиной травм пользователя.
- Изменение конструкции торцевых головок, а также использование съёмных насадок и приспособлений, не предусмотренных для данного пневмоинструмента, запрещается.
- При обработке мелких заготовок, собственного веса которых недостаточно для надежной фиксации, используйте специальные зажимные приспособления.
- Если пневмоинструмент оснащен глушителем, всегда проверяйте его наличие на своем месте и исправное рабочее состояние.

При работе

- При работе принимайте удобную позу, избегайте неудобных поз или таких, в которых сложно

удерживать равновесие. При продолжительной работе меняйте положение тела, чтобы снизить усталость.

- Держите руки на безопасном расстоянии от вращающихся частей пневмоинструмента. Никогда не пытайтесь удержать вращающиеся торцевые головки или держатель принадлежностей, это может привести к серьезным травмам

- При работе в стесненных рабочих условиях соблюдайте особую осторожность. Под воздействием реактивных крутящих моментов пневмоинструмент может повернуться, привести к травмам рук (защемлениям, разможжениям).

- Крепко удерживайте пневмоинструмент и при работе занимайте такую позу, в которой Вы сможете противодействовать движениям, вызванным реактивными силами или поломкой сменного рабочего инструмента. Если Ваш пневмоинструмент оборудован дополнительной рукояткой, всегда используйте ее при работе. Эти меры предосторожности помогут предотвратить травмы.

- В случаях возникновения перебоев с подачей воздуха или при уменьшении рабочего давления выключите пневмоинструмент. Проверьте рабочее давление и опять включите пневмоинструмент, когда рабочее давление снова будет оптимальным.

- Во время работы с пневмоинструментом у работающего могут возникать неприятные ощущения в кистях, руках, плечах, шее или других частях тела.

- При работе может возникнуть отдача (внезапный рывок пневмоинструмента), чтобы избежать негативных последствий (например, потери равновесия) крепко удерживайте пневмоинструмент в руках и сохраняйте устойчивую позу.

- Не прикасайтесь к подвижным частям пневмоинструмента во время работы – вы можете получить травмы (порезы, ожоги и др.).

- При работе избегайте контакта с электропроводкой под напряжением. Пневмоинструмент не имеет изоляции и контакт с электропроводкой под напряжением может привести к поражению электрическим током.

- Не игнорируйте такие симптомы, как длительное недомогание, учащенное сердцебиение, боли, зуд, глухота, жжение или онемение. При возникновении таких симптомов сообщите об этом работодателю и обратитесь за квалифицированной медицинской консультацией.



- Вибрация может вредно воздействовать на нервы и кровообращение кистей и рук. Если кожа на пальцах или кистях немеет, зудит, болит или бледнеет, прекратите работу с пневмоинструментом, сообщите об этом работодателю и обратитесь к врачу.

- При работе надежно удерживайте пневмоинструмент, но не прилагайте чрезмерных усилий, в этом случае усилится негативное влияние вибрации на организм.

СИМВОЛЫ

В руководстве по эксплуатации используются нижеприведенные символы, запомните их значение. Правильная интерпретация символов поможет использовать пневмоинструмент правильно и безопасно.

Символ	Значение
	Наклейка с серийным номером: СТ ... - модель; XX - дата производства; XXXXXXX - серийный номер.
	Размер / тип держателя принадлежностей.
	Размер "под ключ" открываемой гайки.
	Ознакомьтесь со всеми указаниями по технике безопасности и инструкциями.
	Носите защитные очки.
	Носите защитные наушники.
	Носите пылезащитную маску.
	Носите защитные перчатки.
	Направление движения.
	Направление вращения.
	Заблокировано.
	Разблокировано.
	Внимание. Важная информация.
	Знак, удостоверяющий, что изделие соответствует основным требованиям директив ЕС и гармонизированным стандартам Европейского Союза.

Символ	Значение
	Полезная информация.
	Не выбрасывайте пневмоинструмент в бытовой мусор.

Назначение пневмоинструмента

Пневмоинструмент предназначен для откручивания и закручивания резьбовых крепежных элементов (болтов, гаек, винтов, шурупов и т.п.).

Элементы устройства пневмоинструмента

- 1 Держатель принадлежностей
- 2 Дополнительная рукоятка *
- 3 Комбинированный переключатель (реверс и крутящий момент)
- 4 Резьбовая заглушка
- 5 Включатель / выключатель
- 6 Входной штуцер
- 7 Заглушка *
- 8 Масленка *
- 9 Быстросъемный штуцер *
- 10 Шестигранный ключ *
- 11 Торцевая головка *
- 12 Удлинитель *
- 13 Болт крепления дополнительной рукоятки *
- 14 Выходное отверстие
- 15 Отверстие для заливки масла

* Принадлежности

Перечисленные, а также изображенные принадлежности, частично не входят в комплект поставки.

Монтаж / регулировка

Перед проведением всех процедур пневмоинструмент обязательно отключить от компрессора.



Не затягивайте слишком сильно крепежные элементы, чтобы не повредить их резьбу.



Монтаж / демонтаж / настройка некоторых элементов аналогична для всех моделей пневмоинструментов, в этом случае на пояснительном рисунке конкретная модель не указывается.

Установка / съем торцевой головки (см. рис. 1.1)

• При монтаже установите торцевую головку 11 на держатель принадлежностей 1, как показано на рисунке 1.1.

• Демонтаж производите в обратной последовательности.

Установка / съем удлинителя (см. рис. 1.2)

[СТ38113, СТ38115]

• При монтаже установите удлинитель 12 на держатель принадлежностей 1, как показано на рисунке 1.2.
• Демонтаж производите в обратной последовательности.

Установка / съем дополнительной рукоятки (см. рис. 2)

[СТ38085, СТ38116, СТ38083, СТ38084]

• При монтаже установите дополнительную рукоятку 2, и вкрутите болты 13 при помощи шестигранного ключа 10, как показано на рисунке 2.
• Демонтаж производите в обратной последовательности.

Подключение к компрессору (см. рис. 3-4)



Внимание: следите за тем, чтобы давление воздуха было не меньше указанного в таблице технических данных, в противном случае пневмоинструмент будет работать с меньшей эффективностью.



Для защиты пневмоинструмента от повреждений, загрязнения и образования коррозии подаваемый сжатый воздух должен быть очищен от посторонних частиц и влаги. Рекомендуется применять специальные устройства (фильтры, влагоотделители или специальные блоки воздухоподготовки).

• СТ38085, СТ38116, СТ38083, СТ38084 - извлеките заглушку 7 (см. рис. 4.1).

• Вкрутите быстросъемный штуцер 9 во входной штуцер 6 (см. рис. 3.1, 4.2). При вкручивании быстросъемного штуцера 9, рекомендуется придерживать входной штуцер 6 рожковым гаечным ключом.

• Присоедините к быстросъемному штуцеру 9 воздушный шланг с быстросъемным адаптером (см. рис. 3.2, 4.3). Убедитесь, что воздушный шланг надежно зафиксирован на быстросъемном штуцере 9 (быстросъемный адаптер на воздушном шланге должен защелкнуться).

Ввод в эксплуатацию пневмоинструмента

• Проверяйте перед каждым запуском затяжку всех резьбовых соединений, а также герметичность соединений и шлангов.

• Добавьте масло в пневмоинструмент, строго соблюдая рекомендации, изложенные в пункте "Обслуживание / профилактика пневмоинструмента".

Включение / выключение пневмоинструмента

Пневмоинструмент должен быть предварительно подключен к компрессору.

Включение:

Нажмите и удерживайте включатель / выключатель 5.

Выключение:

Отпустите включатель / выключатель 5.

Конструктивные особенности пневмоинструмента

Изменение направления вращения и величины крутящего момента (см. рис. 5-7)



Перемещайте комбинированный переключатель 3 только после полной остановки вращающихся частей пневмоинструмента.

Вращение вправо - переместите комбинированный переключатель 3, как показано на рисунках 5.2, 5.4, 6.2, 6.4, 7.1. Вращая комбинированный переключатель 3 вы также выбираете величину крутящего момента (ступени крутящего момента обозначены цифрами на переключателе 3 или корпусе пневмоинструмента).

Вращение влево - переместите комбинированный переключатель 3, как показано на рисунках 5.2, 5.4, 6.2, 6.4, 7.2. Вращая комбинированный переключатель 3 вы также выбираете величину крутящего момента (ступени крутящего момента обозначены цифрами на переключателе 3 или корпусе пневмоинструмента).

Рекомендации при работе пневмоинструментом



Иногда, после длительного перерыва в работе, пневмоинструмент может не включаться, в этом случае необходимо отключить подачу воздуха и несколько раз вручную проверить держатель принадлежностей 1, после чего повторно включить пневмоинструмент.

- Подключите пневмоинструмент к компрессору, как описано выше.
- Выберите направление вращения, а также величину крутящего момента при помощи комбинированного переключателя 3. Величину крутящего момента Вы можете подобрать при помощи практического тестирования. После закручивания рекомендуется проверить момент затяжки при помощи динамометрического ключа.
- Установите торцевую головку 11 на головку крепежного элемента. **Внимание: устанавливайте торцевую головку 11 на головку крепежного элемента только при выключенном пневмоинструменте.**

- Включите пневмоинструмент и произведите закручивание или откручивание. Продолжительность включения при закручивании вы можете подобрать при помощи практического тестирования.
 - Отключите пневмоинструмент и снимите торцевую головку 11 с головки крепежного элемента.
-

Обслуживание / профилактика пневмоинструмента

Перед проведением всех процедур пневмоинструмент обязательно отключить от компрессора.

Чистка сетки (см. рис. 3.1, 4.2)

Регулярно очищайте сетку, установленную внутри входного штуцера 6.

- Выкрутите быстросъемный штуцер 9 (см. рис. 3.1, 4.2).
- Удалите пыль и загрязнения с сетки.
- Вкрутите быстросъемный штуцер 9, как описано выше.

Смазка пневмоинструмента (см. рис. 8-10)

Содержащиеся в сжатом воздухе частицы воды и загрязнений вызывают образование коррозии и ведут к износу лопастей, клапанов и т.д. Для предотвращения этого необходимо перед каждым применением смазывать пневмоинструмент.

- Закапайте из масленки 8 несколько капель масла (используйте масло 46#) во входной штуцер 6 (см. рис. 8-9).
- Подключите пневмоинструмент к компрессору и включите его на 5-10 с.
- В моделях **СТ38112, СТ38113, СТ38115, СТ38114** возможно вытекание масла из отверстий 14 - вытирайте его тряпкой.

[СТ38085, СТ38116, СТ38083, СТ38084]

- При помощи шестигранного ключа 10 выкрутите резьбовую заглушку 4.
- Добавьте 10 мл масла (используйте масло 46#).
- При помощи шестигранного ключа 10 вкрутите резьбовую заглушку 4.

Послепродажное обслуживание

Ответы на вопросы по ремонту и обслуживанию вашего продукта вы можете получить в сервисных центрах. Информацию о сервисных центрах, схемы запчастей и информацию по запчастям Вы можете найти по адресу: www.crown-tools.com.

Транспортировка пневмоинструментов

- Не допускайте падения упаковки, а также любые механические воздействия на нее при транспортировке.
- При погрузке / разгрузке не используйте погрузочную технику, работающую по принципу зажима упаковки.

Защита окружающей среды



Вторичное использование сырья вместо устранения мусора!

Пневмоинструмент, дополнительные принадлежности и упаковку следует экологически чисто утилизировать.

В интересах чистосортной рециркуляции отходов детали из синтетических материалов соответственно обозначены.

Настоящее руководство по эксплуатации напечатано на бумаге, изготовленной из вторсырья без применения хлора.

Оговаривается возможность внесения изменений.

Русский

Специфікація пневматичного інструменту

Пневматичний ударний гайковерт	СТ38112	СТ38113	СТ38115	СТ38114	СТ38085	СТ38116	СТ38083	СТ38084
Код пневматичного інструменту Див. сторінки 10-12								
Число обертів ненавантаженого ходу	[мін ⁻¹]	9800	8000	8000	4200	3200	3600	3300
Рекомендований робочий тиск	[бар] [psi]	6-8 87-116	6-8 87-116	6-8 87-116	8-12 116-174	8-10 116-145	8-12 116-174	8-12 116-174
Споживання повітря на холостому ходу	[м ³ /хв]	≤1,08	≤1,08	≤1,08	≤1,2	≤1,5	≤1,3	≤1,3
Макс. крутний момент	[Нм]	520	660	800	1200	3200	3260	3800
Мін. Ø відкручуваних болтів / гайок		M10	M10	M10	M14	M18	—	—
Макс. Ø відкручуваних болтів / гайок		M12	M16	M16	M22	M42	M48	M48
Тримач приладдя	[мм] [дюйми]	9,5 3/8"	12,7 1/2"	12,7 1/2"	19 3/4"	25,4 1"	25,4 1"	25,4 1"
Різьби штуцера		1/4"	1/4"	1/4"	3/8"	1/2"	1/2"	1/2"
Внутрішній Ø повітряного шланга	[мм] [дюйми]	10 25/64"	10 25/64"	10 25/64"	13 33/64"	13 33/64"	13 33/64"	13 33/64"
Вага	[кг] [фунти]	1,6 3.53	2,6 5.73	2,1 4.63	4 8.82	16,1 35.49	18,5 40.79	19 41.89
Рівень	[дВ(A)]	—	—	—	—	—	111	109
Акустична потужність	[дВ(A)]	96	96	95	102	102	122	120
Рівень вібрації	[м/с ²]	3,2	4,2	4,2	7,6	9,4	13	14

Інформація про шум



Завжди використовуйте звукоізоляційні навушники при рівні шуму понад 85 d(A).

CE Відповідності необхідним нормам

Заявляємо під свою виключну відповідальність, що продукт, який описано в розділі "Специфікація пневматичного інструменту", відповідає всім відповідним положенням директив 2006/42/EC, включаючи їхні поправки, та наступним стандартам: EN1953:2013

Менеджер із сертифікації

Wu Cunzhen

Merit Link International AG
Stabio, Швейцарія, 01.05.2017

Общие правила техники безопасности



Перед монтажем, експлуатацією, ремонтом, технічним обслуговуванням і заміною приладдя пневмоінструментів, а також перед роботою поблизу них, уважно прочитайте і виконуйте всі вказівки. Невиконання нижченаведених вказівок може спричинити за собою серйозні травми. Зберігайте вказівки з техніки безпеки і надавайте їх операторам.

Безпека на робочому місці

- Слідкуйте за поверхнями, які можуть стати слизькими, внаслідок використання пневмоінструмента. Запобігайте небезпеці спотикання об повітряні або гідравлічні шланги. Підскокування, спотикання і падіння є основними причинами травм на робочому місці.
- Не користуйтеся пневмоінструментом у вибухонебезпечному середовищі, в якому знаходяться горючі рідини, гази або пил. При обробці заготовки можуть утворюватися іскри, від яких можливе займання пилу або парів.
- Не підпускайте до робочого місця сторонніх людей, дітей і тварин. Якщо Вас відволічуть сторонні, Ви можете втратити контроль над пневмоінструментом, що може стати причиною травмування.

Техніка безпеки при роботі з пневмоінструментом

- Ніколи не направляйте потік повітря на себе та інших людей або тварин, а також не направляйте холодне повітря на руки - це може привести до серйозних травм.
- Перевіряйте з'єднання і повітряні магістралі. Всі вузли техобслуговування, муфти та шланги повинні бути розраховані на тиск і об'єм повітря, зазначені в технічних даних. Занадто низький тиск негативно позначається на функціональній здатності пневмоінструменту, занадто великий тиск може завдати матеріальної шкоди і призвести до травм.

• Захищайте шланги від високих температур, згинання і звуження, розчинників і нафтопродуктів, гострих країв і деталей, які обертаються. Пошкоджений шланг необхідно негайно замінити - він може стати причиною травм (піднятий в повітря пил або стружка можуть поранити очі) або завдати матеріальної шкоди.

• Слідкуйте за тим, щоб хомути повітряного шланга завжди були добре затягнуті. Внаслідок поганого затяжки або пошкодження хомутів для шланга можливий неконтрольований вихід повітря.

Безпека людей

• При роботі з пневмоінструментом будьте уважні і добре обмірковуюте свої дії. Не користуйтеся пневмоінструментом в разі якщо ви втомилися, або перебуваєте під впливом наркотиків, алкоголю або медикаментів. Втрата уваги під час роботи може бути причиною серйозних травм.

• Одягайте робочий одяг і обов'язково надягайте захисні окуляри. Індивідуальні засоби захисту, такі як захист органів дихання, захисне не ковзке взуття, захисна каска або навушники - в залежності від інструкцій роботодавця або вимог техніки безпеки, або санітарних норм - знижують ризик травм.

• Уникайте ненавмисного включення. Перед тим, як підключити пневмоінструмент до джерела повітря, підняти або перенести його, переконайтеся в тому, що пневмоінструмент вимкнений. Перенесення пневмоінструменту з пальцем на вмикачі / вимикачі або підключення включеного пневмоінструменту до джерела повітря можуть призвести до нещасних випадків.

• Перед включенням, необхідно прибрати з обертових частин пневмоінструменту всі додаткові ключі і пристосування. Ключ, залишений в обертовій частині пневмоінструменту, може бути причиною серйозних травм.

• Не застосовуйте надмірних зусиль, займайте стійке положення та завжди зберігайте контроль над пневмоінструментом.

• Не носіть просторий одяг або звисаючі прикраси. Оберігайте волосся, частини одягу і рукавиці від рухомих частин пневмоінструменту.

• Якщо пневмоінструмент обладнаний пристроєм для збору пилу, переконайтеся в тому, що цей пристрій підключено і правильно використовується. Використання таких пристроїв знижує концентрацію пилу на робочому місці.

• Не вдихайте напрямку відпрацьоване повітря. Уникайте попадання відпрацьованого повітря в очі. Відпрацьоване повітря, яке виходить з пневмоінструменту, може містити воду, масло, металеві частинки і забруднення з компресора. Це загрожує шкодою для здоров'я.

Правильне поводження з пневмоінструментом і його використання

• Використовуйте затискні пристрої або лещата для фіксації оброблюваного матеріалу. Притримуючи оброблювану деталь рукою або притискаючи її до тіла, не можна забезпечити безпеку при роботі з пневмоінструментом.

• Не перенавтажуйте пневмоінструмент. Використовуйте пневмоінструмент, який спеціально призначений для Вашого виду робіт. Відповідний

пневмоінструмент працює краще і надійніше в зазначеному для нього діапазоні потужності.

- Не використовуйте пневмоінструмент з пошкодженим вмикачем / вимикачем. Пневмоінструмент, який не вмикається або не вимикається, небезпечний і потребує ремонту.
- Вимикайте подачу повітря перед налаштуванням інструменту, заміною приладдя або якщо Ви довгий час не будете його використовувати. Цей запобіжний захід запобігає ненавмисному включенню пневмоінструменту.
- Зберігайте не використовувані пневматичні інструменти в недоступному для дітей місці. Не дозволяйте користуватися пневмоінструментом особам, які не знайомі з ним або не читали дійсних інструкцій. Пневматичні інструменти небезпечні в руках недосвідчених осіб.
- Старанно доглядайте за пневмоінструментом. Слідкуйте за тим, щоб рухомі деталі інструменту працювали справно і не заїдали, і щоб деталі, які можуть впливати на роботу пневмоінструменту, не були зламані або пошкоджені. Перед використанням пневмоінструменту пошкоджені деталі необхідно відремонтувати. Безпечні випадки відбуваються через поганий догляд за пневмоінструментом.
- Ріжучі інструменти повинні утримуватися в чистоті і бути добре заточеними. Правильно встановлені ріжучі інструменти з гострими ріжучими крайками зменшують можливість заклинювання і полегшують керування пневмоінструментом.
- Використовуйте пневмоінструмент, приналежності до нього, взаємозамінні інструменти і т.д. відповідно до цих вказівок. Враховуйте при цьому умови і специфіку виконуваної роботи. Це допоможе максимально знизити утворення пилу, вібрацію і шум.
- Налаштовувати, регулювати і використовувати пневматичні інструменти дозволяється тільки кваліфікованим і навченим операторам.
- Вносити зміни в пневмоінструмент забороняється. Подібні зміни можуть знизити ефективність заходів з техніки безпеки і підвищити ризик для оператора.

Сервіс

Обслуговування Вашого пневмоінструменту повинно проводитися кваліфікованими фахівцями з використанням рекомендованих запасних частин. Це дає гарантію того, що безпека Вашого пневмоінструменту буде збережена.

Правила техніки безпеки

Перед початком роботи

- Цей пневматичний інструмент можуть використовувати особи з відповідною фізичною формою, необхідною для експлуатації пневматичного інструменту такого розміру, ваги та потужності.
- Під час експлуатації, ремонту, технічного обслуговування та заміни комплектуючих деталей пневматичного інструменту носіння протиударних захисних окулярів є обов'язковою умовою, тому що в разі поломки фрагменти головки елемента кріплення, комплектуючих деталей або самого пневматичного інструменту можуть розлітатися на великій швидкості.

- Ніколи не вмикайте пневматичний інструмент під час пересування. Одяг або волосся можуть намотатися на деталі пневматичного інструменту, які обертаються, а це може призвести до травми.
- Потік стисненого повітря може видалити рукавички пневматичного інструменту та призвести до охолодження рук, тому завжди надягайте захисні рукавички. Захисні рукавички повинні щільно прилягати до руки; нещільні рукавички можуть потрапити в рухомі деталі пневматичного інструменту та призвести до серйозних травм.
- Контролюйте стан утримувача інструменту та гайкових ключів. Пошкоджені утримувач інструменту та гайкові ключі з дефектами (тріщинами, відколи і т.д.) створюють під час експлуатації підвищену вібрацію; вони також можуть зламатися, а їхні фрагменти, які розлітаються на великій швидкості, можуть привести до травм.
- Для пошуку прихованих мереж живлення, систем постачання газу та води використовуйте спеціальні детектори або зверніться до місцевого комунального підприємства для отримання відповідної інформації. Контакт з проводкою може призвести до пожежі та ураження електричним струмом. Пошкодження газопроводу може призвести до вибуху. Пошкодження водопроводу призведе до псування майна.
- Ніколи не переносьте пневматичний інструмент, тримаючи його за шланг.
- Використовуйте ті гайкові ключі, які спеціально призначені для гайкових ключів ударної дії. Вони чорні, більш довговічні, а їхня конструкція забезпечує експлуатацію без пошкодження гвинта або головки болта. Використання стандартних гайкових ключів може привести до їхнього руйнування та стати причиною травми користувача.
- Забороняється змінювати конструкцію гайкових ключів та використовувати знімні насадки та пристрої, не призначені для цього пневматичного інструменту.
- Для обробки невеликих заготовок, чия вага не є достатньою для надійної фіксації, використовуйте спеціальні елементи кріплення.
- Якщо пневматичний інструмент обладнано глушником, завжди перевіряйте, що він правильно встановлений та знаходиться в хорошому робочому стані

Під час експлуатації

- Під час експлуатації займіть зручне положення, уникайте незручних поз або таких положень, які не дозволяють утримувати рівновагу. У разі тривалої роботи змінійте положення тіла, щоб зменшити втому.
- Тримайте руки на безпечній відстані від деталей пневматичного інструменту, які обертаються. Ніколи не намагайтеся утримувати гайкові ключі, які обертаються, або утримувач інструменту; це може привести до серйозних травм.
- Використовувати інструмент в обмежених робочих зонах особливо уважно. Через вплив реактивних моментів пневматичний інструмент може перевернутися та травмувати руки (ушкодження через защемлення, роздавлювання).
- Міцно тримайте пневматичний інструмент, а під час його експлуатації займіть таке положення, в якому ви зможете протидіяти рухам, викликаним реактивними силами або через поломку замінного робочого інструменту. Якщо пневматичний інстру-

мент обладнано додатковою рукояткою, завжди її використовуйте під час роботи. Ці заходи допоможуть запобігти травмам.

- У разі відмови подачі повітря або зниження робочого тиску вимкніть пневматичний інструмент. Перевірте робочий тиск; коли робочий тиск стане знову оптимальним, повторно включіть пневматичний інструмент.

- Під час експлуатації пневматичного інструменту оператор може відчувати тимчасовий дискомфорт в зап'ястях, руках, плечах, шії або інших частинах тіла.

- Під час експлуатації інструменту можлива його віддача (раптовий ривок пневматичного інструменту); щоб уникнути негативних наслідків (наприклад, втрата рівноваги), міцно тримайте пневматичний інструмент і зберігайте стійке положення.

- Під час роботи не торкайтеся рухомих деталей пневматичного інструменту - ви можете отримати травму (порізи, опіки і т.д.).

- Під час роботи уникайте контакту з проводкою під напругою. Цей пневматичний інструмент не має ізоляції, тому контакт з проводкою під напругою може стати причиною ураження електричним струмом.

- Не ігноруйте такі симптоми, як довгострокова нудга, швидке серцебиття, біль, свербіння, глухота, печіння або оніміння. У разі наявності таких симптомів повідомте про це роботодавця та зверніться до кваліфікованого лікаря.

- Вібрація може негативно вплинути на нерви та кровообіг в зап'ястях і руках. Якщо шкіра на пальцях або зап'ястях німіє, свербить, болить або стає блідою, зупиніть роботу з пневматичним інструментом, повідомте про це роботодавця та зверніться до лікаря.

- Під час роботи надійно утримуйте пневматичний інструмент, але не застосовуйте надмірну силу, тому що негативні наслідки для здоров'я, викликані вібрацією, тільки посиляться.

Символи

В інструкції застосовуються нижченаведені символи, запам'ятайте їх значення. Правильна інтерпретація символів допоможе використовувати пневмоінструмент правильно і безпечно.

Символ	Значення
	Наклейка з серійним номером: CT ... - модель; XX - дата виробництва; XXXXXXX - серійний номер.
	Розмір / тип утримувача інструменту.
	Ширина площини гайки, яку необхідно відкрутити.
	Ознайомтесь з усіма вказівками з техніки безпеки та інструкціями.

Символ	Значення
	Носіть захисні окуляри.
	Носіть захисні навушники.
	Носіть пилозахисну маску.
	Носіть захисні рукавиці.
	Напрямок руху.
	Напрямок обертання.
	Заблоковано.
	Розблоковано.
	Увага. Важлива інформація.
	Знак, який засвідчує, що виріб відповідає основним вимогам директив ЄС та гармонізованим стандартам Європейського Союзу.

	Корисна інформація.
	Не викидайте пневмоінструмент разом із побутовим сміттям.

Передбачене застосування пневматичного інструменту

Цей пневматичний інструмент розроблено для закручування та відкручування різьбових елементів кріплення (болти, гайки, гвинти, шурупи і т.д.).

Елементи пневматичного інструменту

- 1 Утримувач інструменту
- 2 Додаткова рукоятка *
- 3 Комбінований перемикач (зворотний і крутний момент)
- 4 Нарізна заглушка
- 5 Вмикач / вимикач
- 6 Впускний штуцер
- 7 Штекер *
- 8 Маслянка *
- 9 Швидкознімне з'єднання *
- 10 Шестигранний ключ *
- 11 Торцевий ключ *
- 12 Подовжувач *
- 13 Болт для кріплення додаткової рукоятки *
- 14 Вихідний отвір
- 15 Маслозаливний отвір

* Приналежності

Перераховані, а також зображені принадлежности, частково не входять у комплект постачання.

Монтаж / регулювання

Перед проведенням всіх процедур пневмоінструмент обов'язково відключити від компресора.



Не затягуйте дуже сильно кріпильні елементи, щоб не пошкодити їх різьблення.



Процедура монтажу / демонтажу / налагодження окремих елементів є однаковою для всіх моделей пневматичних інструментів; в даному випадку певні моделі на малюнку не показано.

Установка / видалення торцевого ключа (див. мал. 1.1)

- Під час монтажу встановіть торцевий ключ **11** на утримувач інструменту **1**, як показано на малюнку 1.1.
- Операції з демонтажу виконують у зворотній послідовності.

Установка / видалення подовжувача (див. мал. 1.2)

[CT38113, CT38115]

- Під час монтажу встановіть подовжувач **12** на утримувач інструменту **1**, як показано на малюнку 1.2.
- Операції з демонтажу виконують у зворотній послідовності.

Установка / видалення додаткової рукоятки (див. мал. 2)

[CT38085, CT38116, CT38083, CT38084]

- Під час монтажу встановіть додаткову рукоятку **2** та за допомогою шестигранного ключа **10** вверніть болти **13**, як показано на малюнку 2.

- Операції з демонтажу виконують у зворотній послідовності.

Підключення до компресора (див. рис. 3-4)



Примітка: переконайтеся, що тиск повітря не менше, ніж значення тиску, зазначене у таблиці "Специфікація пневматичного інструменту", в іншому випадку ефективність пневматичного інструменту буде низькою.



Для захисту пневматичного інструменту від пошкоджень, забруднення та корозії, стиснене повітря, яке подається, має бути очищене від сторонніх часток і вологи. З цієї метою рекомендується використовувати спеціальні пристрої (фільтри, осушувачі або спеціальні блоки підготовки повітря).

- **CT38085, CT38116, CT38083, CT38084** - зніміть заглушку **7** (див. мал. 4.1).
- Вверніть швидкознімне з'єднання **9** у впускний штуцер **6** (див. мал. 3.1, 4.2). Під час цієї операції рекомендується утримувати впускний штуцер **6**, використовуючи двосторонній гайковий ключ.
- Приєднайте пневматичний шланг із швидкознімним адаптером до швидкознімного роз'єму **9** (див. мал. 3.2, 4.3). Переконайтеся, що пневматичний шланг надійно закріплено на швидкознімному роз'ємі **9** (швидкознімний адаптер має бути зафіксовано на пневматичному шлангу).

Початкова стадія експлуатації пневматичного інструменту

- Перевіряйте перед кожним запуском затяжку всіх різьбових з'єднань, а також герметичність з'єднань і шлангів.
- Чітко дотримуючися рекомендацій в пункті "Технічне обслуговування пневматичного інструменту / профілактичні заходи", налійте масло в пневматичний інструмент.

Включення / виключення пневматичного інструменту

Пневмоінструмент повинен бути попередньо підключений до компресора.

Уключити:

Натисніть і утримуйте вмикач / вимикач **4**.

Виключити:

Відпустіть вмикач / вимикач **4**.

Особливості конструкції пневматичного інструменту

Зміна напрямку обертання та значення крутного моменту (див. мал. 5-7)



Переміщуйте комбінований перемикач **3** тільки після повної зупинки деталей пневматичного інструменту, які обертаються.

Обертання за годинниковою стрілкою - переміщуйте комбінований перемикач **3**, як показано на малюнках 5.1, 5.3, 6.1, 6.3, 7.1. Обертаючи комбінований перемикач **3**, ви також обираєте значення крутного моменту (кроки крутного моменту позначені цифрами на перемикачі **3** або корпусі пневматичного інструменту).

Обертання проти годинникової стрілки - переміщуйте комбінований перемикач **3**, як показано на малюнках 5.2, 5.4, 6.2, 6.4, 7.2. Обертаючи комбінований перемикач **3**, ви також обираєте значення крутного моменту (кроки крутного моменту позначені цифрами на перемикачі **3** або корпусі пневматичного інструменту).

Рекомендації стосовно експлуатації пневматичного інструменту



Після тривалого простою пневматичний інструмент інколи може не включатися; в цьому випадку необхідно відключити подачу повітря та вручну кілька разів повернути пристрій **1**, який утримує комплектуючі деталі, та після цього знову включити пневматичний інструмент.

- Згідно з описом вище підключіть пневматичний інструмент до компресора.
- Використовуючи комбінований перемикач **3**, оберіть напрямок обертання та значення крутного моменту шляхом проведення практичних випробувань. Після виконання операції закручування рекомендується перевірити момент затягування за допомогою динамометричного ключа.
- Встановіть торцевий ключ **11** на голівку пристрою кріплення. **Примітка:** установлювати торцевий ключ **11** на голівку пристрою кріплення можна тільки після вимкнення пневматичного інструменту.
- Увімкніть пневматичний інструмент і виконуйте закручення або розкручування. Ви можете вибрати тривалість роботи при закручуванні за допомогою практичних випробувань.
- Вимкніть пневматичний інструмент і зніміть торцевий ключ **11** з голівки пристрою кріплення.

Технічне обслуговування пневматичного інструменту / профілактичні заходи

Перед проведенням всіх процедур пневмоінструмент обов'язково відключити від компресора.

Очищення сітки (див. мал. 3.1, 4.2)

Регулярно очищайте сітку, встановлену всередині впускного штуцера **6**.

- Відгвинтіть швидкознімний роз'єм **9** (див. мал. 3.1, 4.2).
- Видаліть із сітки пил і забруднення.

- Вкрутіть в швидкознімний роз'єм **9**, як описано вище.

Змащування пневматичного інструменту (див. мал. 8-10)

Вода та частинки забруднення в стислому повітрі є причиною корозії та зносу лопаток, клапанів і т.д. Щоб це попередити, пневматичний інструмент необхідно змащувати до / після кожного використання.

- Додайте декілька крапель масла (використовуйте масло 46#) з маслянки **8** у впускний штуцер **6** (див. мал. 8-9).
- Приєднайте пневматичний інструмент до компресора, увімкніть його та утримуйте у включеному стані протягом 5-10 секунд.
- У моделях **СТ38112, СТ38113, СТ38115, СТ38114** масло може витікати з отворів **14** - у разі протікання видаліть його за допомогою тканини.

[СТ38085, СТ38116, СТ38083, СТ38084]

- Використовуючи шестигранний ключ **10**, відгвинтіть нарізну заглушку **4**.
- Додайте 10 мл масла (використовуйте масло 46#).
- Використовуючи шестигранний ключ **10**, вкрутіть нарізну заглушку **4**.

Післяпродажне обслуговування

Відповіді на питання щодо ремонту та обслуговування вашого продукту Ви можете отримати в сервісних центрах. Інформацію про сервісні центри, схеми запчастин та інформацію по запчастинах Ви можете знайти за адресою: www.crown-tools.com.

Транспортування пневматичних інструментів

- Не допускайте падіння упаковки, а також будь-якого механічного впливу на неї транспортуванні.
- При завантаженні / розвантаженні не використовуйте навантажувальну техніку що працює за принципом затиску упаковки.

Захист навколишнього середовища



Переробка сировини замість утилізації відходів.

Пневматичний інструмент, комплектуючі деталі та упаковка мають бути відсортовані для екологічно чистої утилізації. В інтересах чистосортної рециркуляції відходів деталі із синтетичних матеріалів відповідно позначені. Дійсний посібник з експлуатації надрукований на папері, виготовленій з вторсировини без застосування хлору.

Обновляється можливість внесення змін.

Українська

Пневматикалық құралдың техникалық сипаттамалары

Пневматикалық гайка бұрауыш	СТ38112	СТ38113	СТ38115	СТ38114	СТ38085	СТ38116	СТ38083	СТ38084
10-12-бетті қараңыз								
Пневматикалық құралдың коды								
Жүктемесіз жылдамдық [мин ⁻¹]	9800	8000	8000	4600	4200	3200	3600	3300
Ұсынылатын жұмыс қысымы [бар] [psi]	6-8 87-116	6-8 87-116	6-8 87-116	6-8 87-116	8-12 116-174	8-10 116-145	8-12 116-174	8-12 116-174
Бос істеудегі ауа шығымы [м ³ /мин]	≤1,08	≤1,08	≤1,08	≤1,2	≤1,2	≤1,5	≤1,3	≤1,3
Макс. тарту моменті [Нм]	520	660	800	1200	2180	3200	3260	3800
Болтың / гайканың ең аз диаметрі	M10	M10	M10	M14	—	M18	—	—
Болтың / гайканың ең көп диаметрі	M12	M16	M16	M22	M39	M42	M48	M48
Құрал ұстағышының [мм] [дюйм]	9,5 3/8"	12,7 1/2"	12,7 1/2"	19 3/4"	25,4 1"	25,4 1"	25,4 1"	25,4 1"
Ауа жалғағышының ирек оймасы	1/4"	1/4"	1/4"	3/8"	1/2"	1/2"	1/2"	1/2"
Ауа шлангысының ішкі Ø [мм] [дюйм]	10 25/64"	10 25/64"	10 25/64"	13 33/64"	13 33/64"	13 33/64"	13 33/64"	13 33/64"
Салмағы [кг] [фунт]	1,6 3.53	2,6 5.73	2,1 4.63	4 8.82	14 30.86	16,1 35.49	18,5 40.79	19 41.89
Дыбыс қысымы [дБ(A)]	—	—	—	—	108	—	111	109
Акустикалық күші [дБ(A)]	96	96	95	102	119	102	122	120
Өлшенетін тербеліс [м/с ²]	3,2	4,2	4,2	7,6	11	9,4	13	14

Қазақ тілі

Шу туралы ақпарат



Дыбыс қысымы осетін болса, әрдайым құлақ қорғаушысын киіңіз 85 дБ(А)

CE Сәйкестік жөнінде мәлімдеме

Біз тек өзіміз жауапкершілік алып, "Пневматикалық құралдың техникалық сипаттамалары" бөлімінде сипатталған өнім 2006/42/ЕС директиваларының, соның ішінде олардың түзетулерінің барлық қатысты шарттарына сай екенін және келесі стандарттардың талаптарына сай екенін жариялаймыз: EN1953:2013.

Сертификаттау менеджері

Wu Cunzhen

Merit Link International AG
Stabio, Швейцария, 01.05.2017

Жалпы қауіпсіздік туралы ескертулер



Қосалқы құралдарды орнату, пайдалану, жөндеу, техникалық қызмет көрсету және ауыстыру алдында, сонымен бірге, пневматикалық құралдың жанында жұмыс сістеу алдында бүкіл нұсқауларды оқып шығып, сақтаңыз. Келесі қауіпсіздік туралы ескертулерді сақтамау ауыр жарақатқа әкелуі мүмкін.

Бүкіл қауіпсіздік туралы ескертулер мен нұсқауларды болашақта анықтама алу үшін сақтап қойыңыз, әрі оларды операторға қолжетімді етіңіз.

Жұмыс аумағының қауіпсіздігі

- Құрылғыны пайдаланудан тайғақ болуы мүмкін беттерге, әрі пневматикалық немесе гидравликалық шлангтан болатын шалыну қауіптеріне көңіл бөліңіз. Сырғу, шалыну және құлау жұмыс орнындағы жарақаттардың негізгі себептері болып табылады.
- Пневматикалық құралды тұтанғыш сұйықтықтар, газдар немесе шаңдар болуы кезіндегі сияқты жарылғыш орталарда пайдаланбаңыз. Дайындамамен жұмыс істегенде шаңды немесе түтіндерді тұтандыруы мүмкін ұшқындар пайда болуы мүмкін.
- Пневматикалық құралды пайдалану кезінде балалар мен маңайдағы адамдарды жұмыс орнынан аулақ ұстаңыз. Басқа адамдардың алаңдатуы пневматикалық құралды басқаруды жоғалтуға әкелуі мүмкін.

Пневматикалық құралдың қауіпсіздігі

- Ауа ағынын өзіңізге немесе басқа адамдарға ешқашан бағытламаңыз, әрі салқын ауаны қолдарыңыздан ары өткізіңіз. Қысымдалған ауа ауыр жарақаттарға әкелуі мүмкін.
- Қосылымдарды және ауамен қамту жолақтарын тексеріңіз. Барлық техникалық қызмет көрсету құралдары, мұфталары және шлангтары қысым және ауа көлемі тұрғысынан өнімнің техникалық сипаттамаларына сай болуы керек. Тым төмен

қысым пневматикалық құралдың жұмысына зиян тигізеді; тым жоғары қысым материалдың зақымдалуына және жеке жарақатқа әкелуі мүмкін.

- Шлангтарды майысулардан, шектеулерден, еріткіштерден және үшкір жиектерден қорғаңыз. Шлангтарды жылудан, майдан және айналмалы бөліктерден аулақ ұстаңыз. Зақымдалған шлангты дереу ауыстырыңыз. Ақаулы ауамен қамту жолағы қысымдалған ауа шланғысының ретсіз қозғалуына және жеке жарақатқа әкелуі мүмкін. Көтерілген шаң немесе жоңқалар көзді ауыр жарақаттауы мүмкін.
- Шланг қысқыштары әрқашан қатты тартылған болуын қамтамасыз етіңіз. Бос немесе зақымдалған шланг қысқыштары ауаның басқарылмайтын шығуына әкелуі мүмкін.

Жеке қауіпсіздік

- Пневматикалық құралды пайдаланып жатқанда қырағы болыңыз, не істеп жатқаныңызды бақылаңыз және дұрыс ақылды пайдаланыңыз. Шаршап тұрғанда немесе есірткілердің, алкогольдің немесе дәрінің әсерінде болғанда пневматикалық құралды пайдаланбаңыз. Пневматикалық құралды пайдаланып жатқанда бір сәт көңіл бөлмеу жеке жарақатқа әкелуі мүмкін.
- Жеке қорғағыш жабдықты пайдаланыңыз. Әрқашан көз қорғағышын киіңіз. Жұмыс берушінің нұсқауларына сай немесе жұмыс пен денсаулықты қорғау шарттарының талаптарына сай респиратор, сырғымайтын қауіпсіз аяқ киім, қатты қалпақ немесе есту қорғағышы сияқты жеке қорғағыш жабдықты кию жеке жарақаттың қаупін азайтады.
- Кездейсоқ іске қосылуды болдырмаңыз. Ауамен қамтуға қосу, көтеру немесе ұстап жүру алдында пневматикалық құрал өшірілі екенін тексеріңіз. Пневматикалық құралды ұстап жүргенде саусағыңыз қосу / өшіру қосқышында болғанда немесе қосуды кезінде пневматикалық құралды ауамен қамтуға қосқанда сәтсіз жағдайлар орын алуы мүмкін.
- Пневматикалық құралды қосу алдында кез келген реттеу құралдарын алыңыз. Пневматикалық құралдың айналмалы бөлігіне бекітулі қалған гайка кілті немесе кілт жеке жарақатқа әкелуі мүмкін.
- Тым қатты жақындамаңыз. Әрқашан тиісті қалыпты және теңгерімді сақтаңыз. Бұл күтпеген жағдайларда пневматикалық құралды жақсырақ басқаруға мүмкіндік береді.
- Тиісті түрде киіңіз. Бос киімді немесе зергерлік бұйымдарды кимеңіз. Шашты, киімді және қолғапты қозғалатын бөліктерден аулақ ұстаңыз. Бос киім, зергерлік бұйымдар немесе ұзын шаш қозғалатын бөліктерде ұсталуы мүмкін.
- Егер шаңды шығару және жинау мекемелеріне арналған құрылғылар қамтамасыз етілсе, оларды қосуды және тиісті түрде пайдалануды қамтамасыз етіңіз. Шаң жинауды пайдалану шаңға қатысты қауіптерді азайтуы мүмкін.
- Шығарылған ауаны деммен ішке алмаңыз. Шығарылатын ауаның көздерге әсер етуіне жол бермеңіз. Пневматикалық құралдың шығарылатын ауасында су, май, металл бөлшектер және компрессордан шыққан қоқыстар болуы мүмкін. Бұл адам денсаулығына зиян тигізуі мүмкін.

Пневматикалық құралды пайдалану және құту

- Дайындаманы бекіту және тіреу үшін қысу құралдарын немесе қысқышты пайдаланыңыз. Дайындаманы қолмен ұстау немесе денеге сүйеу

Қазақ тілі

пневматикалық құралды қауіпсіз пайдалануға мүмкіндік бермейді.

- Пневматикалық құралға артық жүктеме түсірмеңіз. Жұмысыңызға арналған пневматикалық құралды пайдаланыңыз. Дұрыс пневматикалық құрал өзі арналған жылдамдықта жұмысты жақсырақ және қауіпсіздеу істейді.

- Қосу / өшіру қосқышы ақаулы пневматикалық құралды пайдаланбаңыз. Қосқышпен басқару мүмкін емес пневматикалық құрал қауіпті және оны жөндеу керек.

- Кез келген реттеулер жасау, қосалқы құралдарды ауыстыру алдында немесе ұзақ уақыт бойы пайдаланбағанда ауамен қамтуды ажыратыңыз. Бұл қауіпсіздік шарасы пневматикалық құралдың кездейсоқ іске қосылуын болдырмайды.

- Бос тұрған пневматикалық құралдарды балалардан аулақ ұстаңыз. Пневматикалық құралмен немесе осы нұсқаулармен таныспаған адамға құрылғыны пайдалануға рұқсат етпеңіз. Пневматикалық құралдар оқымаған пайдаланушылардың қолдарында қауіпті болады.

- Пневматикалық құралды күтіп ұстаңыз. Қозғалатын бөліктердің дұрыс емес туралануы немесе тұрып қалу, бөліктердің бұзылуы және пневматикалық құралдың жұмысына әсер етуі мүмкін кез келген басқа жағдай бар-жоғын тексеріңіз. Пневматикалық құралды пайдалану алдында зақымдалған бөліктерді жөндетіңіз. Көп сәтсіз жағдайларда нашар техникалық қызмет көрсетілген пневматикалық құралдар тудырады.

- Кесу құралдарын үшкір және таза етіп ұстаңыз. Тиісті түрде техникалық қызмет көрсетілетін, үшкір кесу жиектері бар кесу құралдарының тұрып қалу ықтималдығы азырақ және оларды басқару оңайырақ.

- Пневматикалық құралды, қосалқы құралдарды, қолданбалы құралдарды, т.б. осы нұсқауларға сай пайдаланыңыз. Жұмыс жағдайларын және орындлатын әрекеттерді ескеріңіз. Бұл шаңның, дірілдердің және шудың орын алуын ең көп дәрежеде азайтады.

- Пневматикалық құралды тек білікті және оқыған операторлар орнатуы, реттеуі немесе пайдалануы керек.

- Пневматикалық құралды ешбір түрде өзгертуге болмайды. Өзгертулер қауіпсіздік шараларының тиімділігін азайтуы және операторға төнетін қауіптерді арттыруы мүмкін.

Қызмет көрсету

Пневматикалық құралды тек білікті жөндеу маманы және тек түпнұсқалық ауыстыру бөліктерін пайдаланып жөндеуі керек. Бұл пневматикалық құралдың қауіпсіздігінің сақталуын қамтамасыз етеді.

Қауіпсіздік туралы нұсқаулар

Жұмысты бастау алдында

- Осындай өлшемі, салмағы және қуаты бар пневматикалық құралды пайдалану үшін тиісті дене күйі бар адамдарға рұқсат етіледі.

- Пайдалану, сонымен бірге жөндеу, техникалық қызмет көрсету және пневматикалық құралдың қосалқы құралдарын ауыстыру кезінде соққыға төзімді қауіпсіздік көздірлігін міндетті түрде кию керек, өйткені бекіткіш бас, қосалқы құралдар

немесе пневматикалық құралдың өзі жарылса, бөлшектер жоғары жылдамдықпен жан-жаққа ұшуы мүмкін.

- Қозғалып бара жатып пневматикалық құралды ешқашан қоспаңыз. Пневматикалық құралдың айналатын бөліктері киімді немесе шашты орап алып, жаракатқа әкеледі.

- Пневматикалық құралдың тұтқаларына сығымдалған ауа ағыны үрленуі мүмкін, сондықтан әрқашан қорғағыш қолғапты киіңіз. Қорғағыш қолғаптың өлшемі тура болуы керек, бос қолғап пневматикалық құралдың айналатын бөліктеріне кіріп, ауыр жаракаттарға әкелуі мүмкін.

- Құрал ұстағышының және ұяшықты кілттердің күйін бақылап отырыңыз. Зақымдалған құрал ұстағышы және ұяшықты кілттер (жарықтар, бөлінген бөліктер, т.б.) пайдалану кезінде артық дірілді тудырады, сондай-ақ олар қирап, жоғары жылдамдықпен ұшатын бөліктер жаракат тигізуі мүмкін.

- Жасырын қуатпен, газбен және сумен қамту жүйелерін табу үшін арнайы детекторларды пайдаланыңыз немесе ақпарат алу үшін жергілікті коммуналдық қызмет компаниясына хабарласыңыз. Сымдарға тию өртке және тоқ соғуына әкелуі мүмкін. Газ құбырлары жарылысқа әкелуі мүмкін. Су құбырларының зақымдалуы мүлктің зақымдалуына әкеледі.

- Пневматикалық құралды шлангысынан ұстап ешқашан алып жүрмеңіз.

- Соқпа гайка кілттеріне арнайы жасалған ұяшықты гайка кілттерін пайдаланыңыз. Олар қара, төзімдірек болады және дизайны бұрманды немесе болт басын зақымдаусыз пайдалануға көмектеседі. Стандартты ұяшықты гайка кілттерін пайдалану олардың бұзылуына әкелуі мүмкін, бұл пайдаланушының жаракаттар алуына әкелуі мүмкін.

- Ұяшықты гайка кілттерінің дизайнын өзгертуге, сонымен бірге осы пневматикалық құралға арналмаған алынбалы ұштар мен құралдарды пайдалануға тыйым салынады.

- Қатты бекітуге салмағы жеткіліксіз шағын дайындамаларды өңдеу үшін арнайы бекіту құралдарын пайдаланыңыз.

- Пневматикалық құрал шу басқышпен жабдықталған болса, оның дұрыс орналастырылған және жақсы жұмыс күйінде екенін әрқашан тексеріп тұрыңыз.

Пайдалану кезінде

- Пайдалану кезінде ыңғайлы қалыпқа тұрыңыз. Ыңғайсыз немесе теңгерімді сақтау қиын қалыптарда тұрмаңыз. Ұзақ уақыт бойы жұмыс істегенде шаршауды азайту үшін дене қалпын өзгертіп тұрыңыз.

- Қолдарды пневматикалық құралдың айналатын бөліктерінен қауіпсіз қашықтықта ұстаңыз. Айналып жатқан ұяшықты гайка кілттерін немесе құрал ұстағышын ұстауға ешқашан әрекеттенбеңіз, бұл ауыр жаракаттарға әкелуі мүмкін.

- Құралды тар жұмыс кеңістіктерінде пайдаланғанда әрқашан сақ болу керек. Реактивті айналдыру моменттері әсер еткенде пневматикалық құрал аударылып, қолдары жаракаттауы мүмкін (қысылып қалулар, сүйектер сынатын жаракаттар).

- Пневматикалық құралды қатты ұстап тұрыңыз, әрі пневматикалық құралды пайдаланғанда реактивті күштер немесе ауыстырылған жұмыс құралының бұзылуы тудырған қозғалыстарға қарсы тұра алатын қалыпта тұрыңыз. Пневматикалық

құрал қосымша тұтқамен жабдықталған болса, жұмыс кезінде оны әрқашан пайдаланыңыз. Бұл сақтық шаралары жарақаттарды болдырмауға көмектеседі.

- Ауамен қамту үзілген немесе жұмыс қысымы азайған жағдайда пневматикалық құралды өшіріңіз. Жұмыс қысымын тексеріп, пневматикалық құралды жұмыс қысымы қайтадан оңтайлы кезде қосыңыз.
- Пневматикалық құралды пайдаланғанда оператор білектерінде, қолдарында, иықтарында, мойнында немесе басқа дене бөліктерінде ыңғайсыздық сезінуі мүмкін.
- Құралды пайдалану кезінде кері тебу (пневматикалық құралдың кенет жұлқы) орын алуы мүмкін; теріс әсерлерді (мысалы, теңгерімнің жоғалуын) болдырмау үшін пневматикалық құралды қатты ұстаңыз және тұрақты қалыпта тұрыңыз.
- Жұмыс істеп жатқанда пневматикалық құралдың қозғалатын бөліктеріне тиеніңіз. Жарақат алуыңыз мүмкін (кесіп алулар, күйіктер, т.б.).
- Пайдалану кезінде тоқ бар сымдарға тиеніңіз. Пневматикалық құрал оқшауланбаған және тоқ бар сымдарға тию тоқ соғуына әкелуі мүмкін.
- Ұзақ мерзім ауыру, жүректің жылдам соғуы, ауыру, қышу, естімеу, күйіктер немесе ұйып қалу сияқты белгілерді елемеге болмайды. Мұндай белгілер орын алса, жұмыс берушіге хабарлаңыз және білікті медициналық маманға көрініңіз.
- Діріл жүйке жүйесіне, әрі білектер мен қолдардағы қан айналымына теріс әсер етуі мүмкін. Саусақтарыңыздағы немесе білектеріңіздегі терінің жаны кетіп қалса, қышыса, ауырса немесе бозарса, пневматикалық құралмен жұмыс істеуді тоқтатыңыз, жұмыс берушіге хабарлаңыз және дәрігермен көрініңіз.
- Жұмыс істегенде пневматикалық құралды қатты ұстаңыз, бірақ артық күш қолданбаңыз, өйткені дірілдің денсаулыққа тигізетін теріс әсері артады.

Таңбалар

Пайдалану нұсқаулығында келесі таңбалар пайдаланылады. Олардың мағыналарын есіңізде сақтаңыз. Таңбаларды дұрыс түсіну пневматикалық құралды дұрыс және қауіпсіз пайдалануға мүмкіндік береді.

Таңба	Мағына
	Сериялық нөмір бар жапсырма: СТ ... - үлгі; XX - өндіру күні; XXXXXXXX - сериялық нөмір.
	Құрал ұстағышының өлшемі / түрі.
	Бұрап алынатын гайка басының ені.
	Қауіпсіздік техникасы туралы барлық нұсқаулармен және нұсқаулармен танысыңыз.

Таңба	Мағына
	Қорғағыш көзілдірікті киіңіз.
	Қорғағыш құлаққапты киіңіз.
	Шаңнан қорғайтын масканы киіңіз.
	Қорғағыш қолғапты киіңіз.
	Қозғалыс бағыты.
	Айналу бағыты.
	Бұғатталған.
	Бұғаттаудан шығарылған.
	Назар аударыңыз. Маңызды ақпарат.
	Бұйым ЕО директиваларының негізгі талаптарына және Еуропалық Одақтың үйлестірілген стандарттарына сай екенін куәландыратын белгі.
	Пайдалы ақпарат.
	Пневматикалық құралды тұрмыстық қоқыс контейнеріне лақтырмаңыз.

Пневматикалық құралды пайдалану мақсаты

Пневматикалық құрал ирек оймалы бекіткіштерді (болттар, гайкалар, бұрандалар, ағаш бұрандалар, т.б.) тартуға және бұрап алуға арналған.

Пневматикалық құралдың элементтері

- 1 Құралдың ұстағышы
- 2 Қосымша тұтқа *
- 3 Біріктірілген қосқыш (кері және айналдыру моменті)
- 4 Ирек оймалы тығын
- 5 Қосу / өшіру қосқышы
- 6 Кіріс жалғағыш
- 7 Тығын *
- 8 Майлағыш *
- 9 Жылдам алынатын жалғағыш *
- 10 Бүйірлік кілт *
- 11 Ұяшықты гайка кілт *
- 12 Ұзартқыш өзек *
- 13 Тұтқаны қосымша бекітуге арналған болт *
- 14 Шығыс тесік
- 15 Май толтыру тесігі

* Қосымша құрамдастар

Кейбір суреттелген немесе сипатталған құрамдастар стандарттық жабдықтау ретінде қосылмаған.

Орнату / реттеу

Кез келген процедураларды орындау алдында пневматикалық құралды компрессордан ажыратыңыз.



Бекіткіш бөлшектер бұрандаларын бұзып алмау үшін тым қатты тартпаңыз.



Кейбір элементтерді бекіту / ажырату / реттеу пневматикалық құралдардың барлық үлгілерінде бірдей болады. Мұндай жағдайда суретте нақты үлгілер көрсетілмейді.

Ұяшықты гайка кілтін орнату / алу (1.1 сур. қараңыз)

- Бекіту кезінде ұяшықты гайка кілтін **11** құрал ұстағышына **1** 1.1 суретінде көрсетілгендей орнатыңыз.
- Бөлшектеу әрекеттерін кері ретпен орындау керек.

Ұзартқыш өзекті орнату / алу (1.2 сур. қараңыз)

[СТ38113, СТ38115]

- Бекіту кезінде ұзартқыш өзекті **12** құрал ұстағышына **1** 1.2 суретінде көрсетілгендей орнатыңыз.
- Бөлшектеу әрекеттерін кері ретпен орындау керек.

Қосымша тұтқаны орнату / алу (2-сур. қараңыз)

[СТ38085, СТ38116, СТ38083, СТ38084]

- Бекіту кезінде қосымша тұтқаны **2** орнатыңыз және болттарды **13** бүйірлік кілт **10** көмегімен 2-суретте көрсетілгендей орнатыңыз.

- Бөлшектеу әрекеттерін кері ретпен орындау керек.

Компрессорға қосу (3-4 сур. қараңыз)



Ескертпе: ауақысымы "Пневматикалық құралдың техникалық сипаттамалары" кестесінде көрсетілгеннен аз емес екенін тексеріңіз, әйтпесе пневматикалық құрал азырақ тиімділікпен жұмыс істеуі мүмкін.



Пневматикалық құралды зақымнан, ластанудан және коррозиядан қорғау үшін жинақтағы сығымдалған ауаны бөгде бөлшектерден және ылғалдан тазалау керек. Арнайы құралдарды (сүзгілер, ылғалсыздандырғыштар немесе арнайы ауаны дайындау құралдары) пайдалану ұсынылады.

- **СТ38085, СТ38116, СТ38083, СТ38084** - тығынды **7** шығарыңыз (4.1 сур.).
- Жылдам алынатын жалғағышты **9** кіріс жалғағышқа **6** жалғаңыз (3.1, 4.2 сур. қараңыз). Жылдам алынатын жалғағышты **9** бұрағанда кіріс жалғағышты **6** екі жақты гайка кілтін пайдаланып ұстап тұру ұсынылады.
- Ауа шланғысын жылдам алынатын адаптер арқылы жылдам алынатын жалғағышқа **9** қосыңыз (3.2, 4.3 сур. қараңыз). Ауа шланғысы жылдам алынатын жалғағышқа **9** қатты бекітілгенін тексеріңіз (ауа шланғысындағы жылдам алынатын адаптер "шырт" етіп орнына түсуі керек).

Пневматикалық құралды бірінші рет пайдалану

- Әр пайдалану алдында барлық ирек оймалы қосылымдардың тартылғанын, сонымен бірге, қосылымдар мен шлангтардың тартылғанын тексеріңіз.
- "Пневматикалық құралға техникалық қызмет көрсету / алдын алу шаралары" бөлімінде берілген ұсыныстарды қатаң түрде сақтай отырып, пневматикалық құралға май қосыңыз.

Пневматикалық құралды қосу / өшіру

Пневматикалық құралды компрессорға алдын ала қосып қою керек.

Қосу:

Қосу / өшіру қосқышын **5** басып тұрыңыз.

Өшіру:

Қосу / өшіру қосқышын **5** жіберіңіз.

Пневматикалық құралдың дизайн ерекшеліктері

Айналу бағыттарын және айналдыру моментінің мәнін өзгерту (5-7 сур. қараңыз)



Біріктірілген қосқышты **3 тек пневматикалық құралдың айналатын бөліктері толығымен тоқтағаннан кейін жылжытыңыз.**

Сағат тілінің бағытымен айналу - біріктірілген қосқышты **3** 5.1, 5.3, 6.1, 6.3, 7.1 суреттерінде көрсетілгендей жылжытыңыз. Біріктірілген қосқышты **3** айналдыру арқылы сонымен бірге айналдыру моментінің мәні таңдалады (айналдыру моментінің қадамдары қосқышта **3** немесе пневматикалық құралдың корпусында цифрлармен көрсетіледі).

Сағат тіліне қарсы айналдыру - біріктірілген қосқышты **3** 5.2, 5.4, 6.2, 6.4, 7.2 суреттерінде көрсетілгендей жылжытыңыз. Біріктірілген қосқышты **3** айналдыру арқылы сонымен бірге айналдыру моментінің мәні таңдалады (айналдыру моментінің қадамдары қосқышта **3** немесе пневматикалық құралдың корпусында цифрлармен көрсетіледі).

Пневматикалық құралдарды пайдалану туралы ұсыныстар



Кейде ұзақ бос тұрудан кейін пневматикалық құрал қосылмауы мүмкін. Бұл жағдайда ауамен қамтуды өшіру және қосалқы құралдарды ұстап тұрған құралды **1** бірнеше рет қолмен айналдыру, содан кейін пневматикалық құралды қайта қосу керек.

- Пневматикалық құралды компрессорға жоғарыда сипатталғандай қосыңыз.
- Біріктірілген қосқышты **3** пайдалана отырып айналу бағытын, сонымен бірге айналдыру моментінің мәнін таңдаңыз. Айналдыру моментінің мәнін тәжірибе жүзінде сынау арқылы таңдауға болады. Бұраудан кейін тарту моментін өлшеу гайка кілтін пайдаланып тарту моментін тексеру ұсынылады.
- Ұяшықты гайка кілтін **11** бекіткіш басқа орнатыңыз. **Ескертпе: ұяшықты гайка кілтін **11** бекіткіш басқа тек пневматикалық құрал өшірулі кезде орнатыңыз.**
- Пневматикалық құралды қосып, бұрауды немесе таркатуды орындаңыз. Тәжірибе жүзінде сынау арқылы бұрағанда жұмыс ұзақтығын таңдауға болады.
- Пневматикалық құралды өшіріп, ұяшықты гайка кілтін **11** бекіткіш бастан алыңыз.

Пневматикалық құралға техникалық қызмет көрсету / алдын алу шаралары

Кез келген процедураларды орындау алдында пневматикалық құралды компрессордан ажыратыңыз.

Торды тазалау (3.1, 4.2 сур. қараңыз)

Кіріс жалғағыш **6** ішінде орнатылған торды жүйелі түрде тазалап тұрыңыз.

- Жылдам алынатын жалғағышты **9** бұрап алыңыз (3.1, 4.2 сур. қараңыз).

- Тордан шаң мен кірді кетіріңіз.
- Жылдам алынатын жалғағышты **9** жоғарыда сипатталғандай бұраңыз.

Пневматикалық құралды майлау (8-10 сур. қараңыз)

Сығымдалған ауадағы су мен ластайтын бөлшектер коррозияны тудырады және жүздердің, клапандардың, т.б. тозуына әкеледі. Бұларды болдырмау үшін әр пайдалану алдында / пайдаланудан кейін пневматикалық құралды майлау керек.

- Майлағыштан **8** майдың бірнеше тамшысын (46# майын пайдаланыңыз) кіріс жалғағышқа **6** тамызыңыз (8-9 сур. қараңыз).
- Пневматикалық құралды компрессорға жалғап, 5-10 секундқа қосып қойыңыз.
- **СТ38112, СТ38113, СТ38115, СТ38114** үлгілерінде май тесіктерден **14** ағуы мүмкін. Оны шүберекпен сүртіп алыңыз.

[СТ38085, СТ38116, СТ38083, СТ38084]

- Ирек оймалы тығынды **4** бүйірлік кілтті **10** пайдаланып бұрап алыңыз.
- **10** мл май қосыңыз (46# майын пайдаланыңыз).
- Ирек оймалы тығынды **4** бүйірлік кілтті **10** пайдаланып бұраңыз.

Сатудан кейінгі қызмет және өтінім бойынша қызмет

Біздің сатудан кейінгі қызмет өнімге техникалық қызмет көрсетуге және оны жөндеуге, сонымен бірге, қосалқы бөлшектерге қатысты сұрақтарыңызға жауап береді. Сондай-ақ, сервистік орталықтар туралы ақпаратты, бөліктердің диаграммаларын және қосалқы бөлшектер туралы ақпаратты мына бетте табуға болады: www.crown-tools.com.

Пневматикалық құралдарды тасымалдау

- Тасымалдау кезінде қаптамаға ешбір механикалық әсерді тигізуге болмайды.
- Жүкті түсіргенде / жүктегенде қысып орау қағидатымен жұмыс істейтін ешбір технология түрін пайдалануға рұқсат етілмеген.

Қоршаған ортаны сақтау



Шикізатты қоқыс ретінде пайдаға асырудың орнына қайта қолдануға жіберіңіз.

Пневматикалық құралды, қосалқы құралдарды және орауышты қоршаған ортаға зиянсыз қайта өңдеу үшін сұрыптау керек.

Пластикалық компоненттер сыныпталған қайта қолдану үшін белгіленген.

Бұл нұсқаулар қайта қолданылатын хлорин қосылмаған қағазда басып шығарылған.

Өндіруші өзгерістер енгізуі мүмкін.

Қазақ тілі

مواصفات العدة الهوائية

CT38084	CT38083	CT38116	CT38085	CT38114	CT38115	CT38113	CT38112	مفتاح ربط بالهواء المضغوط
انظر صفحة 10-12								
3300	3600	3200	4200	4600	8000	8000	9800	السرعة بدون حمل
8-10	8-10	8-10	8-10	6-8	6-8	6-8	6-8	الشفقة في الدقيقة [بار]
116-174	116-174	116-145	116-174	87-116	87-116	87-116	87-116	استهلاك الهواء عند عدم وجود ضغط
1,3≥	1,3≥	1,5≥	1,2≥	1,2≥	1,08≥	1,08≥	1,08≥	أقصى عزم
3800	3260	3200	2180	1200	800	660	520	أدنى قطر للمسار / الصامولة
—	—	M18	—	M14	M10	M10	M10	أقصى قطر للمسار / الصامولة
M48	M48	M42	M39	M22	M16	M16	M12	حامل العدة
25,4 1"	25,4 1"	25,4 1"	25,4 1"	19 3/4"	12,7 1/2"	12,7 1/2"	9,5 3/8"	لولب موصل الهواء
1/2"	1/2"	1/2"	1/2"	3/8"	1/4"	1/4"	1/4"	Ø الداخلي لخرطوم الهواء
13 33/64"	13 33/64"	13 33/64"	13 33/64"	13 33/64"	10 25/64"	10 25/64"	10 25/64"	الوزن
19 41.89	18,5 40.79	16,1 35.49	14 30.86	4 8.82	2,1 4.63	2,6 5.73	1,6 3.53	الضغط الصوتي
109	111	—	108	—	—	—	—	قوة الصوت
120	122	102	119	102	96	96	96	الاهتزاز المقدر
14	13	9,4	11	7,6	4,2	4,2	3,2	



احرص دائما على ارتداء أداة حماية الأذن إذا كان الضغط الصوتي يتجاوز 85 ديسيبل.

CE توصيات السلامة العامة

نظن تحت مسؤوليتنا وحدنا أن المنتج الموصوف تحت "مواصفات العدة الهوائية" يتفق مع جميع الأحكام ذات الصلة من التوجيهات 2006/42/EC بما في ذلك تعديلاتها ويتوافق مع المعايير التالية: EN1953:2013.

Wu Cunzhen

Wu Cunzhen

شهادة مدير

Merit Link International AG
Stabio, Switzerland, 01.05.2017

تحذيرات السلامة العامة

قبل التثبيت والتشغيل والتصليح والصيانة واستبدال الملحقات بالإضافة إلى ذلك قِبل العمل بالقرب من الأداة الهوائية، يُرجى قراءة جميع التعليمات والالتزام بها. قد يؤدي عدم اتباع تحذيرات السلامة التالية إلى إصابة خطيرة. احفظ جميع التحذيرات والتعليمات للمرجعية المستقبلية، وقم بتوفيرها للعامل.



سلامة منطقة العمل

- انتبه إلى الأسطح التي قد تصبح زلقة نتيجة لاستخدام الماكينة، وإلى مخاطر التعثر الناتجة عن الخرطوم الهيدروليكي أو المضغوط بالهواء. الانزلاق والتعثر والسقوط هي أسباب رئيسية لوقوع إصابات بمكان العمل.
- لا تقم بتشغيل الأداة الهوائية في أجواء قابلة للانفجار، مثل وجود غبار أو غازات أو سوائل قابلة للاشتعال. يمكن أن يتكون الشرر أثناء العمل على قطعة العمل والذي قد يُشعل الغبار أو الأبخرة.
- قم بلبقاء الأطفال والمارة بعيدين عن مكان عملك بينما تقوم بتشغيل الأداة الهوائية. يمكن أن يؤدي صرف الانتباه من أشخاص آخرين إلى فقدانك للتحكم في الأداة الهوائية.

سلامة الأداة الهوائية

- لا تقم أبداً بتوجيه تدفق الهواء لنفسك أو لأشخاص آخرين قريبين، وقم بصرف الهواء البارد بعيداً عن يدك. يمكن أن يؤدي الهواء المضغوط إلى إصابات خطيرة.
- افحص الاتصالات وخطوط مزود الهواء. يجب أن تتوافق جميع وحدات الصيانة والمقومات والخرطوم مع مواصفات المنتج فيما يتعلق بمستوى الهواء والضغط. يعوق الضغط المنخفض جداً وظيفة الأداة الهوائية؛ ويمكن أن يتسبب الضغط العالي جداً في ضرر مادي وإصابة شخصية.
- قم بحماية الخرطوم من الحواف الحادة والمثبتات والقيود والعقد. احفظ الخرطوم بعيداً عن الحرارة والنفط والأجزاء الدائرية. قم باستبدال الخرطوم التالف في الحال. قد يتسبب خط مزود الهواء المعيب في خرطوم هواء مضغوط خطير وقد يمكن أن يسبب إصابة شخصية. قد يتسبب الغبار أو البرودة المتصاعدة في إصابة خطيرة بالعين.
- تأكد من أن مشابك الخرطوم تلك محكمة الغلق دائماً. قد تتسبب مشابك الخرطوم التالفة أو غير الثابتة في تسرب الهواء غير المتحكم فيه.

السلامة الشخصية

- ابق حذراً، وراقب ما تفعل، واستخدم الحس السليم عند تشغيل أداة هوائية. لا تستخدم أداة هوائية عندما تكون متعباً أو تحت تأثير مخدرات أو كحول أو الأدوية. قد تتسبب لحظة غفلة أثناء تشغيل أداة هوائية في إصابة شخصية.
- استخدم معدات الحماية الشخصية. ارتد دائماً واقي العين. يقلل ارتداء معدات الحماية الشخصية مثل كامامة، أو أذنية سلامة غير زلقة، أو خوذة واقية، أو واقي الأذن - وفقاً لتعليمات صاحب عملك أو كما هو مطلوب بموجب أحكام العمل والحماية الصحية - من خطر التعرض لإصابة شخصية.

- امنع البداية غير المقصودة. تأكد من أن الأداة الهوائية تم إيقاف تشغيلها قبل توصيلها بمزود الهواء أو التقاطها أو حملها. يمكن أن تقع حوادث عندما يكون إصبعك على مفتاح التشغيل / الإيقاف أثناء حمل الأداة الهوائية أو عند توصيل الأداة الهوائية بمزود الهواء بينما تكون قيد التشغيل.

- أزل أي أدوات تعديل قبل تشغيل الأداة الهوائية. قد يتسبب مفك أو مفتاح تم تركه مرفقاً بجزء دائري في الأداة الهوائية في إصابة شخصية.

- لا تتجاوز الحدود. حافظ على اتزان قدميك والتوازن طوال الوقت. هذا يُمكن لفك اللبس تحكماً أفضل في الأداة الهوائية في المواقف غير المتوقعة.
- ارتد ما هو ملائم. لا تقم بارتداء ملابس فضفاضة أو مجوهرات. حافظ على شعرك وملابسك وقفازاتك بعيداً عن الأجزاء المتحركة. يمكن أن تعلق الملابس الفضفاضة أو المجوهرات أو الشعر الطويل في الأجزاء المتحركة.

- في حال كانت الأجهزة متوفرة للاتصال باستخلاص الغبار ومرفقات المجموعة، تأكد من أنه يتم توصيلها واستخدامها بشكل سليم. يمكن أن يقلل استخدام مجموعة الغبار من المخاطر المرتبطة بالغبار.

- لا تقم باستئصال العادم مباشرة. تجنب تعريض عينيك للعادم. يمكن أن يشتمل العادم الخاص بالأداة الهوائية على ماء، ولفظ، وجزيئات معدنية وحطام من الضاغط. يمكن أن يسبب هذا دماراً لصحة الفرد.

استخدام الأداة الهوائية والعناية بها

- استخدم أجهزة التثبيت أو جهازاً بديلاً لتثبيت ودعم قطعة العمل. لن يسمح الإمساك بقطعة العمل باليد أو أمام جسدك بعملية تشغيل آمنة للأداة الهوائية.
- لا تقم بالتحميل الزائد على الأداة الهوائية. استخدم الأداة الهوائية المخصصة لعملك. ستقوم الأداة الهوائية الصحيحة بالعمل بشكل أفضل وأكثر أمناً بالمعدل المخصص لها.
- لا تستخدم أداة هوائية تشتمل على مفتاح تشغيل / إيقاف معيب. الأداة الهوائية التي لا يمكن التحكم بها باستخدام المفتاح خطيرة ويجب إصلاحها.
- قم بفصل مزود الهواء قبل القيام بأي تعديلات أو تغيير ملحقات أو عند عدم استخدامها لفترات ممتدة. يمنع هذا الإجراء الأمني البدء غير المقصود للأداة الهوائية.

- قم بتخزين الأدوات الهوائية العاطلة بعيداً عن متناول الأطفال. لا تسمح للأشخاص غير المتأهلين مع الأداة الهوائية أو مع هذه التعليمات بتشغيل الجهاز.

- تصبح الأدوات الهوائية خطيرة في أيدي المستخدمين غير المدربين. حافظ على الأداة الهوائية بعناية. تحقق من الاصططاف الخاطئ أو دمج الأجزاء المتحركة أو انكسار أجزاء أي طرف آخر قد يؤثر في تشغيل الأداة الهوائية. قم بإصلاح الأجزاء التالفة قبل استخدام الأداة الهوائية. تقع العديد من الحوادث بسبب الأدوات الهوائية سيئة الصيانة.

- احفظ بأدوات القطع حادة ونظيفة. تكون أدوات القطع جيدة الصيانة والمزودة بحواف قطع حادة أقل عرضة للربط وتكون أسهل ليتم التحكم بها.

- استخدم الأداة الهوائية، والملحقات، وأدوات التطبيق، وما إلى ذلك وفقاً لهذه التعليمات. خذ في الاعتبار ظروف العمل والأشطة التي من المقرر تنفيذها. هذا يقلل من تطور الغبار والاهتزازات والضوضاء إلى أقصى حد.

- يجب أن يتم إعداد الأداة الهوائية أو تعديليها أو استخدامها حصراً من قبل عمال مُدرَّبين وموهَّبين.

- قد لا يتم تعديل الأداة الهوائية بأي طريقة. يمكن أن تقلل التعديلات من فعالية تدابير السلامة وتزيد من المخاطر على العامل.

قم بإصلاح الأداة الهوائية الخاصة بك فقط عن طريق شخص مؤهل مختص بالتصليح وباستخدام قطع الغيار الأصلية فقط. هذا سيضمن الحفاظ على سلامة الأداة الهوائية.

تعليمات الأمان

قبل بدء العمل

- التشغيل. ستمساعدك هذه الاحتياطات على منع وقوع إصابات.
- قم بإيقاف تشغيل العدة الهوائية في حالة فشل مزود الهواء أو انخفاض ضغط العمل. تحقق من ضغط العمل وقم بتشغيل العدة الهوائية مرة أخرى عندما يعود ضغط العمل مناسباً.
- عند تشغيل العدة الهوائية، قد يواجه المشغل أحاسيس غير مريحة في المعصمين أو اليدين أو الكتفين أو الرقبة، أو أجزاء الجسم الأخرى.
- عند تشغيل العدة، قد يحدث ردة (هزة مفاجئة للعدة الهوائية)؛ لتجنب الآثار السلبية (على سبيل المثال، فقدان التوازن) أمسك العدة الهوائية بإحكام واتخذ وضعاً ثابتاً.
- لا تلمس الأجزاء المتحركة للعدة الهوائية أثناء العمل - يمكنك أن تصاب بجروح (قطع، حروق، إلخ).
- أثناء التشغيل تجنب لمس سلك به تيار. العدة الهوائية غير معزولة ولمس أسلاك التيار الكهربائي قد يسبب صدمة كهربائية.
- لا تتجاهل الأعراض مثل المرض على المدى الطويل أو ضربات القلب السريعة أو الألم أو الحكة أو الصم أو الحرق، أو التنميل. في حالة حدوث مثل هذه الأعراض، يرجى إبلاغ صاحب العمل والتشاور مع أخصائي طبي مؤهل. يمكن أن يكون للاهتزاز تأثير سلبي في الأعصاب والدورة الدموية في المعصمين واليدين. إذا كان الجلد على أصابعك أو المعصمين به تنميل أو حكة أو يؤلم أو أصبح شاحباً، فتوقف عن العمل مع العدة الهوائية وأبلغ صاحب العمل واستشر طبيباً.
- أثناء العمل أمسك العدة الهوائية بشكل آمن، ولكن لا تستخدم القوة المفرطة حيث سوف تزيد الآثار الصحية الضارة الناجمة عن الاهتزاز.

الرموز

تُستخدم الرموز التالية في دليل التشغيل، يُرجى تدكّر معانيها. سيُتغير التفسير الصحيح للرموز الاستخدام الصحيح والأمن للاداة الكهربائية.

المعنى

الرمز

مُصق الرقم التسلسلي:
CT ... - الطراز؛
XX - تاريخ التصنيع؛
XXXXXXX - الرقم التسلسلي.



حجم / نوع حامل العدة.

3/8" ... 1"

العرض عبر سطح الصامولة التي سيتم فكها.

9 ... 41

احرص على قراءة كافة قواعد السلامة والإرشادات.



احرص على ارتداء نظارات السلامة.



احرص على ارتداء حماية الأذن.



احرص على ارتداء قناع الغبار.



أثناء التشغيل

- أثناء التشغيل اتخذ وضعاً مريحاً، وتجنب الأوضاع الغريبة أو التي يصعب الحفاظ فيها على التوازن. عند العمل لفترات طويلة من الزمن، غيّر من وضع جسدك للحد من التعب.
- أبق يدك على مسافة آمنة من الأجزاء الدوارة للعدة الهوائية. لا تحاول أبداً الإمساك بمفاتيح الربط الدوارة الصندوقية أو حامل العدة، فقد تتسبب في إصابات خطيرة.
- وينبغي إيلاء عناية خاصة عند تشغيل العدة في أماكن العمل الضيقة. عند التأثر بعزم الدوران الانعكاسي، يمكن أن تتقلب العدة الهوائية وتؤدي إلى إصابات اليدين (إصابات الانحسار والسحق).
- أمسك العدة الهوائية بإحكام، وعند تشغيل العدة الهوائية اتخذ وضعاً يُمكنك من مواجهة الحركات الناجمة عن قوى رد الفعل أو عطب عدة العمل البديلة. إذا تم تجهيز العدة الهوائية الخاصة بك بمقبض إضافي، فاستخدمه دائماً أثناء

ليست كل الملحقات التي تم توضيحها أو وصفها مُتضمنة كعرض قياسي.

التثبيت / التنظيم

قبل تنفيذ أي إجراءات، قم بفصل الأداة الهوائية من الضاغط.

تجنب سحب عناصر التثبيت محكمة الربط لتجنب تلف السلك.



التركيب / فك التركيب / إعداد بعض العناصر هو نفسه لجميع طرازات العدد الهوائية، في هذه الحالة لا يشار إلى طرازات محددة في الرسم التوضيحي.



تركيب / إزالة مفتاح الربط الصندوقي (انظر الشكل 1.1)

- عند التركيب، ركب مفتاح الربط الصندوقي 11 في حامل العدة 1، كما هو موضح في الشكل 1.1.
- تجرى عمليات التفكيك بتسلسل عكسي.

تركيب / إزالة قضيب التمديد (انظر الشكل 2.1)

[CT38113، CT38115]

- عند التركيب، ركب قضيب التمديد 12 في حامل العدة 1، كما هو موضح في الشكل 2.1.
- تجرى عمليات التفكيك بتسلسل عكسي.

تركيب / إزالة المقبض الإضافي (انظر الشكل 2)

[CT38084، CT38083، CT38116، CT38085]

- عند التركيب، ركب المقبض الإضافي 2 واربطه في البراغي 13 بمساعدة مفتاح ألين 10، كما هو موضح في الشكل 2.
- تجرى عمليات التفكيك بتسلسل عكسي.

التوصيل بالضاغط (انظر الشكل 3-4)

ملاحظة: تأكد من أن ضغط الهواء لا يقل عن الضغط المحدد في جدول "مواصفات العدة الهوائية"، وإلا فإن العدة الهوائية ستعمل بكفاءة أقل.



لحماية العدة الهوائية من التضرر والتلوث والتآكل، ينبغي تنقية الهواء المضغوط المزود من الجسيمات الخارجية والرطوبة. ومن المستحسن استخدام أجهزة خاصة (مرشحات، مزيلات رطوبة أو وحدات إعداد هواء محددة).



- قاسم CT38085، CT38116، CT38083، CT38084 - قاسم الاستخراج 7 (انظر الشكل 4.1).
- اربط الموصل سريع الإزالة 9 بموصل المدخل 6 (انظر الشكلين 3.1، 4.2).
- عند ربط الموصل سريع الإزالة 9 من المستحسن إمساك موصل المدخل 6 باستخدام مفتاح ربط مفتوح الطرف.
- وصل خرطوم الهواء بالمحول سريع الإزالة بالموصل سريع الإزالة 9 (انظر الشكلين 3.2، 4.3). تأكد من أن خرطوم الهواء مثبت بإحكام على الموصل سريع الإزالة 9 (المحول سريع الإزالة على خرطوم الهواء يجب أن يصدر صوت صكة).

المعنى

الرمز

أحرص على ارتداء قفازات واقية.



اتجاه الحركة.



اتجاه الدوران.



مؤمن.



غير مؤمن.



انتبه. مهم.



علامة تؤكد أن المنتج يتوافق مع المتطلبات الرئيسية الخاصة بتوجيهات الاتحاد الأوروبي ومعايير الاتحاد الأوروبي المنسقة.



معلومات مفيدة.



لا تتخلص من العدة الهوائية في حاوية نفايات منزلية.



عرض الاستخدام المخصص للعدة الهوائية

تم تصميم العدة الهوائية لربط أدوات الربط الملولبة (البراغي، والصواميل، والمسامير، ومسامير الخشب، وما إلى ذلك) وفكها.

عناصر العدة الهوائية

- 1 حامل العدة
- 2 مقبض إضافي *
- 3 مفتاح التشغيل المشترك (عكسي وعزم)
- 4 سداة ملولبة
- 5 مفتاح التشغيل / إيقاف التشغيل
- 6 موصل المدخل
- 7 قاسم *
- 8 مزبنة *
- 9 موصل سريع الإزالة *
- 10 مفتاح ألين *
- 11 مفتاح ربط صندوقي *
- 12 قضيب تمديد *
- 13 مسمار لربط المقبض الإضافي *
- 14 فتحة الخرج
- 15 فتحة ملء الزيت

التشغيل الأولي للعدة الهوائية

صيانة العدة الهوائية / التدابير الوقائية

- تحقق قبل كل استخدام من إحكام الاتصالات اللولبية، بالإضافة إلى إحكام الاتصالات والخرابيط.
- أضف زيتاً إلى العدة الهوائية، مع مراعاة التوصيات المنصوص عليها بدقة في الفقرة "صيانة العدة الهوائية / التدابير الوقائية".

نظف بانتظام الشبكة المثبتة داخل موصل المدخل 6.

- فك الموصل سريع الإزالة 9 (انظر الشكلين 3.1 و4.2).
- أزل الغبار والملوثات من الشبكة.
- اربط الموصل سريع الإزالة 9 كما هو موضح أعلاه.

تشحيم العدة الهوائية (انظر الشكل 8-10)

تسبب جزيئات الماء والملوثات في الهواء المضغوط التآكل وتؤدي إلى بلى الشفرات والصمامات، وما إلى ذلك. ولمنع ذلك، يجب أن يتم تشحيم العدة الهوائية قبل / بعد كل استخدام.

- ضع بضع قطرات من زيت (استخدم الزيت #46) من المزيت 8 في موصل المدخل 6 (انظر الشكل 8-9).
- وصل العدة الهوائية بالضاغط وقم بتشغيلها لمدة 10-15 ثوان.
- في طرازات CT38112، CT38113، CT38114، CT38115، CT38114، قد ينساب الزيت من الفتحات 14 - امسحه بقطعة قماش.

[CT38084، CT38083، CT38116، CT38085]

- فك السدادة الملولبة 4 باستخدام مفتاح ألين 10.
- أضف 10 مل من الزيت (استخدم الزيت #46).
- اربط السدادة الملولبة 4 باستخدام مفتاح ألين 10.

خدمة ما بعد البيع وخدمة التطبيق

تجيب خدمة ما بعد البيع لدينا على جميع تساؤلاتكم المتعلقة بصيانة المنتج وإصلاحه، وكذلك قطع الغيار. كما يمكنكم أيضاً الحصول على معلومات حول مراكز الخدمة ومخططات الأجزاء وقطع الغيار على:

www.crown-tools.com

تشغيل العدة الهوائية / إيقاف التشغيل

يجب أن يتم توصيل الأداة الهوائية مسبقاً بالضاغط.

التشغيل:

اضغط مع الاستمرار على مفتاح التشغيل / الإيقاف 5.

إيقاف التشغيل:

حرر مفتاح التشغيل / الإيقاف 5.

خصائص تصميم العدة الهوائية

تغيير الاتجاهات الدورانية وقيمة عزم الدوران (انظر الشكل 7-5)

حرك مفتاح التشغيل المشترك 3 فقط بعد التوقف الكامل للأجزاء الدوارة من العدة الهوائية.



التدوير باتجاه حركة عقارب الساعة - حرك مفتاح التشغيل المشترك 3 كما هو مبين في الأشكال 5.1، 5.3، 6.1، 6.3، 7.1. عن طريق إدارة مفتاح التشغيل المشترك 3، يمكنك أيضاً تحديد قيمة عزم الدوران (يشار إلى خطوات عزم الدوران بأرقام على المفتاح 3 أو جسم العدة الهوائية).

التدوير عكس اتجاه حركة عقارب الساعة - حرك مفتاح التشغيل المشترك 3 كما هو مبين في الأشكال 5.2، 5.4، 6.2، 6.4، 7.2. عن طريق إدارة مفتاح التشغيل المشترك 3، يمكنك أيضاً تحديد قيمة عزم الدوران (يشار إلى خطوات عزم الدوران بأرقام على المفتاح 3 أو جسم العدة الهوائية).

توصيات حول تشغيل العدة الكهربائية

في بعض الأحيان، بعد مرور وقت خمول طويل، قد لا يتم تشغيل العدة الهوائية، في هذه الحالة من الضروري إيقاف إمدادات الهواء وتدوير الجهاز 1 الذي يحمل الملحقات عدة مرات يدوياً، وبعد ذلك إعادة تشغيل العدة الهوائية.



- وصل العدة الهوائية بالضاغط كما هو موضح أعلاه.
- حدد اتجاه الدوران وكذلك قيمة عزم الدوران باستخدام مفتاح التشغيل المشترك 3. يمكنك اختيار قيمة عزم الدوران عن طريق الاختيار العملي. بعد الربط، من المستحسن التحقق من عزم الربط باستخدام مفتاح قياس عزم الدوران.
- ركب مفتاح الربط الصندوقي 11 في رأس أداة الربط. ملحوظة: ركب مفتاح الربط الصندوقي 11 في رأس أداة الربط فقط عندما تكون العدة الهوائية في وضع عدم التشغيل.
- شغل العدة الهوائية وأد الربط أو الفك. يمكنك اختيار مدة التشغيل عند الربط بواسطة الاختيار العملي.
- قم بإيقاف العدة الكهربائية وأزل مفتاح الربط الصندوقي 11 من رأس أداة الربط.

حماية البيئة

احرص على إعادة تدوير المواد الخام بدلاً من التخلص منها كفضائيات.



يجب ترتيب العدة الهوائية وملحقاتها وتغليفها لإعادة تدوير صديقة للبيئة.

تم تصنيف مكونات البلاستيك كغفنة من فئات إعادة التدوير.

طبعت هذه التعليمات على ورق مُعاد تدويره ومُصنَع بدون كلور.

تحتفظ الشركة المصنعة بإمكانية إدخال تغييرات.

مشخصات ابزار بادی

CT38084	CT38083	CT38116	CT38085	CT38114	CT38115	CT38113	CT38112	آچار ضربه ای بادی
3300	3600	3200	4200	4600	8000	8000	9800	سرعت بی باری
8-10	8-10	8-10	8-10	6-8	6-8	6-8	6-8	[دور در دقیقه]
116-174	116-174	116-145	116-174	87-116	87-116	87-116	87-116	[بار]
1,3≥	1,3≥	1,5≥	1,2≥	1,2≥	1,08≥	1,08≥	1,08≥	[پوند بر اینچ مربع]
3800	3260	3200	2180	1200	800	660	520	مصرف هوا در حالت بی باری
—	—	M18	—	M14	M10	M10	M10	مترمکعب/دقیقه
M48	M48	M42	M39	M22	M16	M16	M12	حداکثر گشتاور
25,4	25,4	25,4	25,4	19	12,7	12,7	9,5	حداقل قطر پیچ / مهره
1"	1"	1"	1"	3/4"	1/2"	1/2"	3/8"	حداکثر قطر پیچ / مهره
1/2"	1/2"	1/2"	1/2"	3/8"	1/4"	1/4"	1/4"	شمار رابط هوا
13	13	13	13	13	10	10	10	قطر داخلی Ø شینگل هوا
33/64"	33/64"	33/64"	33/64"	33/64"	25/64"	25/64"	25/64"	[میلی متر]
19	18,5	16,1	14	4	2,1	2,6	1,6	وزن
41,89	40,79	35,49	30,86	8,82	4,63	5,73	3,53	[کیلوگرم]
109	111	—	108	—	—	—	—	[پوند]
120	122	102	119	102	95	96	96	فشار صدا
14	13	9,4	11	7,6	4,2	4,2	3,2	[دسی بل (امپر)]
								توان اکوستیک
								[دسی بل (امپر)]
								لرزش سنگین
								[متر/مقدور ثانیه]

به صفحه 10-12 مراجعه کنید



همیشه در صورتی که فشار صدا بیش از 85 dB(A) است، از تجهیزات محافظت از گوش استفاده کنید.

CE اعلامیه مطابقت

تحت تنها مسئولیت خود اعلام می کنیم که محصول توصیف شده تحت "داده های فنی" با تمامی شروط قوانین 2006/42/EC شامل اصلاحیه ها مطابقت داشته و با استانداردهای ذیل هماهنگی دارد: EN1953:2013.

Wu Cunzhen

Wu Cunzhen

تأییدیه
مدیر

Merit Link International AG
Stabio, Switzerland, 01.05.2017

هشدارهای ایمنی عمومی



پیش از نصب، اجرا، تعمیر، نگهداری و جایگزینی قطعات یدکی و همچنین پیش از کار در نزدیکی ابزار بادی، لطفاً تمامی دستورالعمل ها را مطالعه و رعایت کنید. عدم پیروی از هشدارهای ایمنی آسیب های جدی به دنبال خواهد داشت. تمامی هشدارهای ایمنی و دستورالعمل ها را برای اجرای آینده نگهداری کنید و در دسترس فرد اپراتور قرار دهید.

ایمنی محیط کار

- به سطوحی که با استفاده از دستگاه لغزنده خواهند شد و همچنین خطرات مربوط به لغزندگی شیلنگ پنوماتیک یا هیدرولیک توجه داشته باشید. لغزش و افتادن دلایل اصلی صدمات در محل کار هستند.
- در محیط های قابل انفجار، برای مثال در حضور مایعات، گازها یا غبار آتشگیر از ابزار بادی استفاده نکنید. حین کار با قطعه کار، ممکن است جرقه هایی ایجاد شود که می توانند موجب آتش سوزی گردوغبار یا دود شوند.
- هنگام کار با ابزار بادی کودکان و افراد تماشاگر را از محل کار خود دور کنید. حواس پرتی شما به دلیل حضور دیگران، می تواند سبب از دست رفتن کنترل شما بر ابزار بادی شود.

ایمنی ابزار بادی

- هیچگاه جهت باد را در مقابل خود یا دیگر افراد نزدیک نگاه ندارید و جریان باد سرد را نیز دور از دستان خود کار کنید. هوای فشرده می تواند صدمات جدی به دنبال داشته باشد.
- اتصالات و سیم های برق ابزار بادی را کنترل کنید. تمامی قطعات نگهداری، کویلرها و شیلنگ ها باید از نظر حجم هوا و فشار مطابق با خصوصیات محصول باشند. فشار بیش از حد پایین عملکرد ابزار بادی را دچار اختلال می کند؛ فشار بیش از حد بالا نیز می تواند به مواد و افراد آسیب برساند.
- از شیلنگ ها در برابر پیچ خوردگی، گرفتگی، حلال ها و لبه های تیز مراقبت کنید. شیلنگ ها را از گرما، نفت و قطعات در حال چرخش دور نگاه دارید. شیلنگ آسیب دیده را سریعاً تعویض کنید. سیم برق معیوب می تواند سبب غیرقابل کنترل شدن شیلنگ هوای فشرده و آسیب به افراد شود. ترشه ها و گرد و غبار ایجاد شده به چشمان آسیب جدی می رسانند.
- اطمینان حاصل کنید که گیره های شیلنگ کاملاً سفت شده اند. گیره های شل یا آسیب دیده ی شیلنگ سبب فرار کنترل نشده ی هوا می شوند.

ایمنی فردی

- هوشیار باشید، به کاری که انجام می دهید نظارت کنید و هنگام کار با ابزار بادی حضور ذهن داشته باشید. در صورت خستگی و یا تحت تاثیر مواد، الکل و دارو از ابزار بادی استفاده نکنید. یک لحظه عدم توجه هنگام کار با ابزار بادی صدمه به افراد را به دنبال دارد.
 - از تجهیزات محافظت شخصی استفاده نمایید. همیشه محافظ چشم استفاده کنید. استفاده از تجهیزات محافظ شخصی مانند رеспиратор، کفش های ایمنی غیر لغزنده، کلاه محکم یا محافظ شنوایی - طبق دستورالعمل های کارفرما یا طبق قوانین کار و محافظت از سلامت، خطر صدمات فردی را کاهش می دهد.
 - از شروع به کار غیر عمدی جلوگیری نمایید. پیش از اتصال ابزار بادی به منبع برق، برداشتن یا حمل آن از خاموش بودن آن اطمینان حاصل کنید. هنگامی که انگشت خود را روی کلید روشن/خاموش قرار می دهید و در عین حال ابزار بادی را حمل می کنید، یا هنگام اتصال ابزار بادی به برق درحالی که روشن است امکان رخ دادن سانحه وجود دارد.
 - پیش از روشن کردن ابزار بادی هرگونه ابزار تنظیم کننده را از آن جدا کنید. آچار یا کلیدی که به یکی از قطعات در حال چرخش ابزار بادی متصل مانده است صدمات فردی به دنبال دارد.
 - اتصالات را بیش از حد نکشید. وضعیت و تعادل لازم را در همه زمان ها حفظ کنید. این کار به شما امکان کنترل ابزار بادی در شرایط ناخواسته را می دهد.
 - لباس مناسب بپوشید. از جواهرات و لباس های گشاد استفاده نکنید. موها، لباس ها و دستکش های خود را از قطعات متحرک دور نگه دارید. لباس های گشاد، جواهرات یا موهای بلند در قطعات متحرک گیر می افتند.
 - اگر در دستگاه شما قطعاتی برای اتصال به تجهیزات استخراج و جمع آوری گرد و غبار فراهم شده است، اطمینان حاصل کنید که به درستی متصل شده و مورد استفاده قرار گرفته اند. استفاده از جمع آوری کننده ی گردو غبار می تواند خطرات مربوط به گرد و غبار را کاهش دهد.
 - هوای خروجی را مستقیماً استنشاق نکنید. از فرار دادن چشمان خود در معرض هوای خروجی اجتناب کنید. هوای خروجی ابزار بادی ممکن است محتوی آب، روغن، ذرات فلزی و رسوبات کمپرسور باشد. این مواد به سلامت فرد آسیب می رسانند.
- ## استفاده از ابزار بادی و مراقبت
- از انبر یا منگنه برای محکم نگه داشتن و پشتیبانی از قطعه کار استفاده نمایید. نگاه داشتن قطعه کار با دست یا مقابل بدن امکان فعالیت ایمن با ابزار بادی را فراهم نمی کند.
 - مخزن ابزار را بیش از حد پر نکنید. از ابزار بادی مناسب با کار خود استفاده کنید. ابزار بادی مناسب کار را بهتر و ایمن تر و در درجه مناسب طراحی شده برای آن کار انجام می دهد.
 - از ابزار بادی که دچار نقص در کلید روشن/خاموش است استفاده نکنید. ابزار بادی که با کلید قابل کنترل نیست خطرناک است و باید تعمیر شود.
 - پیش از انجام هرگونه تنظیمات، تغییر ابزار فرعی و یا عدم استفاده به مدت طولانی ابزار بادی را از برق بکشید. این اقدامات ایمنی از شروع به کار ناگهانی ابزار بادی جلوگیری می کند.
 - ابزار بادی را در مواقع عدم استفاده دور از دسترس کودکان نگه دارید. به افرادی که با ابزار بادی یا این دستورالعمل ها آشنا نیستند، اجازه کار با دستگاه را ندهید. ابزار بادی در دست افراد آموزش ندیده خطرناک هستند.
 - از این وسیله با دقت تمام نگهداری کنید. نااهم استایی یا گیر کردن قطعات متحرک، شکستگی قطعات یا هر مورد دیگری را که روی اجرای دستگاه تاثیر گذار است کنترل کنید. پیش از استفاده از ابزار بادی قطعات آسیب دیده را تعمیر کنید. بسیاری از سوانح به دلیل عدم نگهداری صحیح ابزار بادی رخ می دهند.
 - ابزارهای برش را تمیز و تیز نگه دارید. نگهداری صحیح ابزارهای برش با لبه های تیز برنده احتمال گیر کردن قطعات را کاهش می دهد و به سهولت بیشتر کار با دستگاه کمک می کند.

طی عملیات

• طی عملیات وضعیتی راحت داشته باشید، از وضعیت عجیب یا انوعی که حفظ تعادل با آن دشوار است اجتناب کنید. هنگام کار برای مدت طولانی، وضعیتی بدنی خود را برای کاهش خستگی تغییر دهید.

• دستان خود را در مسافتی ایمن از قطعات چرخنده ی ابزار بادی نگه دارید. هرگز سعی نکنید که آچار بکس چرخنده یا خشاب ابزار را نگه دارید که سبب صدمات جدی می شود.

• هنگام کار با ابزار در فضای کار محدود باید دقت ویژه داشته باشید. ابزار بادی تحت تاثیر گشتاور واکنشی ممکن است واژگون شود و به دست ها صدمه بزند (صدمات گرفتگی و له شدگی).

• ابزار بادی را محکم نگه دارید و هنگام کار با آن وضعیتی اتخاذ کنید که طی آن بتوانید حرکات ایجاد شده به دلیل نیروی واکنشی یا از کار افتادگی ابزار کار تعویض را خنثی کنید. اگر ابزار بادی شما مجهز به دستگیره اضافی است، همیشه طی کار از آن استفاده کنید. این موارد احتیاطی به پیشگیری از صدمات کمک می کند.

• در صورت خرابی منبع هوا یا کاهش فشار کار ابزار بادی را خاموش کنید. فشار کار را چک کنید و هنگامی که دوباره فشار کار مطلوب شد ابزار را روشن کنید.

• هنگام کار با ابزار بادی، اپراتور ممکن است در مج، دست، شانه گردن و یا دیگر اعضای بدن احساس ناراحتی تجربه کند.

• هنگام کار با ابزار، امکان لگد زدن دستگاه وجود دارد (در صورت تکان ناگهانی ابزار بادی)؛ برای جلوگیری از اثرات منفی (برای مثال از دست رفتن تعادل) ابزار بادی را محکم و در وضعیتی ثابت نگه دارید.

• اجزای متحرک ابزار بادی را در حین کار لمس نکنید - ممکن است صدمه ببینید (بریدگی، سوختگی و غیره).

• طی کار از تماس با سیم کشی دارای جریان اجتناب کنید. ابزار بادی عایق بندی ندارد و تماس با سیم کشی دارای جریان سبب شوک الکتریکی می شود.

• علانمی از قبیل درد مژمن، ضریان قلب تند، درد، خارش، ناشنوبی، سوختگی یا کرحختی را نادیده نگیرید. در صورت رخداد چنین علانمی لطفاً به کارفرما اطلاع داده و با پزشک متخصص دارای صلاحیت مشورت کنید.

• لرزش می تواند اثراتی منفی بر اعصاب و جریان خون در مج و دست داشته باشد. اگر پوست انگشتان یا شما بی حس شد، دچار خارش، درد یا رنگ پریدگی شد کار با دستگاه را قطع کنید، به کارفرما اطلاع دهید و با پزشک مشورت کنید.

• هنگام کار ابزار بادی را محکم نگه دارید، اما نیروی اضافه به آن وارد نکنید، زیرا اثرات منفی لرزش بر سلامت افزایش پیدا می کند.

نمادها

نمادهای زیر در کتابچه راهنمای اجرا آمده اند، لطفاً معنای آنها را به یاد نگاه دارید. تفسیر صحیح نمادها امکان استفاده صحیح و ایمن از ابزار بادی را به شما می دهد.

معنی	نماد
برچسب شماره سریال: CT ... مدل؛ XX - تاریخ ساخت؛ XXXXXXX - شماره سریال.	

اندازه / نوع خشاب ابزار.

3/8" ... 1"

• از ابزار بادی، قطعات فرعی، ابزار نظارت و غیره طبق این دستورالعمل ها استفاده کنید. شرایط کار و فعالیت هایی که باید انجام شود را مد نظر داشته باشید. بدینصورت ایجاد گرد و غبار، لرزش و سر و صدا تا حد زیادی کاهش پیدا می کند.

• ابزار بادی باید منحصراً توسط اپراتور آموزش دیده و دارای صلاحیت راه اندازی و تنظیم شود و مورد استفاده قرار گیرد.

• این ابزار بادی به هیچ شکلی قابل تغییر و اصلاح نیست. تغییر و اصلاح دستگاه اثرگذاری اقداماتی را کاهش و همچنین اپراتور را در معرض خطر بیشتر قرار می دهد.

خدمات

ابزار بادی خود را تنها از طریق تعمیرکار دارای صلاحیت و تنها با استفاده از قطعات جایگزین اصل تعمیر کنید. بدینصورت می توانید از حفظ ایمنی ابزار بادی اطمینان حاصل کنید.

دستورالعمل های ایمنی

پیش از شروع کار

• فرد مسئول کار با ابزار بادی در چنین اندازه، وزن و ظرفیتی باید دارای ظاهر بدنی مناسب باشد.

• طی عملیات، و همچنین تعمیر، نگهداری و تعویض لوازم بدکی ابزار بادی، استفاده از عینک ایمنی ضدشوک ضروری است، چراکه در صورت خرد شدن سری چفت، قطعات بدکی یا خود ابزار بادی امکان پرتاب شدن تکه ها با سرعت بالا وجود دارد.

• هرگز ابزار بادی را در حین حرکت روشن نکنید. قطعات چرخنده ی ابزار بادی می توانند روی لباس یا مو بپروند و صدمه ایجاد کنند.

• دستگیره های ابزار بادی ممکن است با جریان هوای فشرده دچار انفجار شوند که موجب سردی دست ها می شود، بنابراین همیشه دستکش های محافظ بپوشید. دستگیره های محافظ باید کاملاً اندازه ی دست باشند، دستکش شل ممکن است به درون اجزای چرخنده ی ابزار بادی کشیده و سبب آسیب جدی شود.

• از کنترل وضعیت خشاب ابزار و آچار بکس اطمینان حاصل کنید. خشاب و آچار بکس آسیب دیده (ترکه، پریدگی و غیره) سبب تشدید لرزش حین کار می شوند، همچنین ممکن است بشکنند و ذرات آنها با سرعت بالا به اطراف پرتاب شوند و موجب صدمه شوند.

• برای یافتن سیستم منبع انرژی، گاز و آب مخفی از اشکار ساز مخصوص استفاده کنید یا برای اطلاعات بیشتر با ادارات عمومی مربوطه محلی تماس حاصل کنید. تماس با دستگاه سیمکشی می تواند موجب آتش سوزی و شوک الکتریکی شود. صدمه به خط لوله گاز موجب انفجار می شود. صدمه به خط لوله ی آب نیز موجب صدمه به ساختمان می شود.

• هرگز ابزار بادی را با ننگه داشتن شیلنگ آن حمل نکنید.

• از آچار بکس ساخته شده مخصوص ابزار بادی استفاده نمایید. این آچارها به رنگ مشکی و بادوام تر هستند و طراحی آنها مناسب عملیات است بدون اینکه به پیچ یا سری پیچ صدمه بزند. استفاده از آچار بکس استاندارد می تواند سبب خرابی آن و صدمه به کاربر دستگاه شود.

• تغییر طراحی آچار بکس و همچنین استفاده از سری جداشدنی و دستگاه هایی که برای این ابزار بادی طراحی نشده اند ممنوع است.

• اطمینان حاصل کنید که برای پرداخت قطعات کوچک کار که وزن کافی برای تثبیت مطمئن ندارند از دستگاه های نگهدارنده مخصوص استفاده می کنید.

• اگر ابزار بادی مجهز به صداگیر باشد، همیشه بررسی کنید که به درستی نصب شده و در شرایط کار مناسب قرار دارد.

اجزای ابزار بادی	
1	خشب ابزار
2	دستگیره اضافی *
3	کلید ترکیبی (بازگشت و گشتاور)
4	سری شیار دار
5	کلید روشن / خاموش
6	رابط ورودی
7	دوشاخه *
8	روغندان *
9	رابط قابل برداشت فوری *
10	کلید آلن *
11	آچار بکس *
12	میله اضافی *
13	پیچ برای محکم کردن دستگیره اضافی *
14	سوراخ خروجی
15	سوراخ مخزن روغن

* اضافی اختیاری

همه لوازم جانبی به تصویر کشیده شده و توضیح داده شده به عنوان تحویل کالای استاندارد در بسته محصول قرار دارند.

نصب / تنظیمات
پیش از اجرای هر فرآیندی ابزار بادی را از کمپرسور جدا کنید.

اجزای چفت و بست را خیلی محکم نکنید تا به شیارها آسیب نرسد.

مونتاز کردن / پیاده کردن / راه اندازی برخی از اجزا برای تمامی مدل های ابزار بادی یکسان است، در این مورد، به مدل های ویژه در توضیحات اشاره نشده است.

نصب / جدا کردن آچار بکس (تصویر 1.1)

- هنگام مونتاز، به شکلی که در تصویر 1.1 نشان داده شده، آچار بکس 11 را داخل خشاب ابزار 1 نصب کنید.
- عملیات پیاده سازی را به ترتیب معکوس انجام دهید.

نصب / جداسازی میله اضافی (تصویر 2.1 را ببینید)

[CT38115, CT38113]

- هنگام مونتاز، میله اضافی 12 را درون خشاب ابزار، به شکلی که در تصویر 2.1 نشان داده شد نصب کنید.
- عملیات پیاده سازی را به ترتیب معکوس انجام دهید.

نصب / جداسازی دستگیره اضافی (تصویر 2 را ببینید)

[CT38084, CT38083, CT38116, CT38085]

- هنگام مونتاز، دستگیره اضافی 2 را نصب کنید و پیچ 13 را با کمک آچار آلن 10، بصورتی که در تصویر 2 نشان داده به داخل ببیچانید.
- عملیات پیاده سازی را به ترتیب معکوس انجام دهید.

معنی	نماد
عرض قسمت مسطح مهره ای که باید باز شود	
همه قوانین و شرایط ایمنی را بخوانید.	
از عینک ایمنی استفاده کنید.	
از محافظ گوش استفاده کنید.	
از ماسک ضد گرد و غبار استفاده کنید.	
دستکش بپوشید.	

جهت حرکت.

جهت چرخش.

قفل.

قفل باز.

توجه. مهم.

علامتی که تأیید می کند محصول با قوانین اصلی اتحادیه اروپا مطابقت دارد و از استانداردهای هماهنگی اتحادیه اروپا پیروی می کند.

اطلاعات مفید.

لطفاً ابزار بادی را در سطل زباله خانگی دفع نکنید.

هدف منظور شده برای ابزار بادی

ابزار بادی برای سفت کردن و باز کردن بست های شیاردار (پیچ، مهره، و پیچ های چوبی و غیره).

توصیه های مربوط به کار با ابزار برقی/شارژی

گاهی ممکن است ابزار پس از بلااستفاده ماندن به مدت طولانی روشن نشود، در چنین موردی باید منبع هوای آن خاموش شود و دستگاهی که قطعات را نگه داشته چندین بار به طور دستی 1 چرخانده شود، و پس از آن ابزار بادی مجدداً روشن شود.



- ابزار بادی را به شکلی که در بالا توضیح داده شده به کمپرسور وصل کنید.
- جهت چرخش و همچنین مقدار گشتاور را با استفاده از کلید ترکیبی 3 انتخاب کنید. می توانید مقدار گشتاور را با تست عملی تعیین کنید. پس از وصل کردن با پیچ، توصیه می شود با استفاده از آچار اندازه گیری گشتاور، گشتاور سفت کردن را تست کنید.
- آچار بکس 11 را درون سر چفت نصب کنید توجه کنید: آچار بکس 11 را تنها زمان خاموش بودن ابزار بادی درون سر چفت نصب کنید.
- ابزار بادی را روشن کنید و سفت کردن و شل کردن پیچ را انجام دهید. می توانید مدت زمان کار هنگام سفت کردن پیچ را با تست عملی انتخاب کنید.
- ابزار بادی را خاموش کنید و آچار بکس 11 را از سری چفت جدا کنید.

نگهداری ابزار بادی / اقدامات پیشگیرانه

پیش از اجرای هر فرآیندی ابزار بادی را از کمپرسور جدا کنید.

تمیز کردن توری (تصویر 3.1، 4.2)

توری نصب شده درون رابط ورودی 6 را به طور منظم تمیز کنید.

- رابط جداشدنی 9 را بپچانده و باز کنید (تصویر 3.1، 4.2 را ببینید).
- گرد و غبار و آلودگی توری را پاک کنید.
- رابط جداشدنی 9 را به صورتی که در بالا توصیف شده به داخل بپچانید.

روانکاری ابزار بادی (تصویر 8-10 را ببینید)

ذرات آلودگی و آب در هوای فشرده موجب فرسایش و خرابی تیغه ها، درپچه ها و غیره می شود. برای جلوگیری از این مسئله ابزار بادی باید پیش از هر بار استفاده روانکاری شود.

- چند قطره روغن (از روغن #46) از روغندان 8 به درون رابط ورودی 6 بریزید (تصویر 8-9 را ببینید).
- ابزار بادی را به کمپرسور وصل کنید و به مدت 5 تا 10 ثانیه روشن کنید.
- در مدل های CT38112، CT38113، CT38115، CT38114، روغن ممکن است از سوراخ ها 14 بچکد، آن را با دستمالی تمیز کنید.

[CT38085، CT38116، CT38083، CT38084]

- سری شیار دار 4 را با استفاده از کلید آلن 10 بپچانده و شل کنید.
- 10 میلی لیتر روغن اضافه کنید (از روغن #46 استفاده کنید).
- سری شیاردار 4 را با استفاده از کلید آلن 10 بپچانده و سفت کنید.

خدمات پس از فروش و خدمات کاربردی

خدمات پس از فروش ما پاسخگوی سؤالات شما درباره نگهداری و تعمیر محصول شما و همچنین قسمت های یدکی آن است. اطلاعات مربوط به مراکز سرویس، نمودارهای قطعات و قطعات یدکی را می توانید در این سایت بیابید: www.crown-tools.com

نکته: اطمینان حاصل کنید که فشار هوا کمتر از مقدار مشخص شده در جدول "مشخصات ابزار بادی" نباشد، در غیر اینصورت دستگاه بازدهی کمتری خواهد داشت.



برای محافظت از ابزار بادی در برابر صدمه، آلودگی و فرسایش، هوای فشرده ی تامین شده باید از هرگونه ذرات خارجی و رطوبت تصفیه شود. استفاده از دستگاه های مخصوص توصیه می شود (فیلتر، رطوبت زدا یا یونیت مخصوص تهیه هوا).



- CT38085، CT38116، CT38083، CT38084 - دوشاخه 7 را بیرون بکشید (تصویر 4.1 را ببینید)
- رابط جداشدنی سریع 9 را به درون رابط ورودی 6 بپچانید (تصویر 3.1، 4.2 را ببینید). هنگام بپچاندن رابط جداشدنی 9 به داخل، توصیه می شود که رابط ورودی 6 را با استفاده از آچار نگه دارید.
- شیلنگ هوا را با مدل جداشدنی به رابط جداشدنی 9 وصل کنید (تصویر 3.2، 4.3). مطمئن شوید که شیلنگ هوا به طور محکم به رابط جداشدنی 9 بسته شده است (مدل جداشدنی روی شیلنگ هوا باید قفل شود).

مرحله اولیه کار با ابزار بادی

- محکم بودن تمامی اتصالات رشته ای، و همچنین محکم بودن اتصالات و شیلنگ ها را پیش از هر بار استفاده کنترل کنید.
- درون ابزار بادی را با روغن پر کنید، به دقت توصیه های نوان شده در بند نگهداری ابزار بادی / اقدامات پیشگیرانه را دنبال کنید.

خاموش / روشن کردن ابزار بادی

ابزار بادی باید قبل از روشن شدن به کمپرسور متصل شود.

روشن کردن:

کلید روشن / خاموش 5 را فشرده و نگاه دارید.

خاموش کردن:

کلید روشن / خاموش 5 را رها کنید.

ویژگی های طراحی ابزار بادی

تغییر جهت چرخشی مقدار گشتاور (تصویر 5-7 را ببینید)

کلید ترکیبی 3 را تنها پس از توقف کامل قطعات چرخنده ی ابزار بادی حرکت دهید.



چرخش در جهت عقربه ساعت - کلید ترکیبی 3 را به طوری که در تصاویر 5.1، 5.3، 6.1، 6.3، 7.1 نشان داده شده است حرکت دهید. با چرخاندن کلید ترکیبی 3، همچنین مقدار گشتاور را انتخاب می کنید (مراحل گشتاور با ارقام روی کلید 3 یا بدنه ابزار بادی نشان داده شده اند).

چرخش خلاف جهت عقربه ساعت - کلید ترکیبی 3 را به صورتی که در تصاویر 5.2، 5.4، 6.2، 6.4، 7.2 نشان داده شده است حرکت دهید. با چرخاندن کلید ترکیبی 3، همچنین مقدار گشتاور را انتخاب می کنید (مراحل گشتاور با ارقام روی کلید 3 یا بدنه ابزار بادی نشان داده شده اند).

- در طول حمل ابزار از وارد کردن هر گونه ضربه مکانیکی به بسته بندی مطلقاً بپرهیزید.
- هنگام قرار دادن دستگاه در بسته یا خارج کردن آن، استفاده از هیچ گونه فناوری ای که باعث دستکاری در منگنه بسته بندی شود، مجاز نیست.

محافظت از محیط زیست

به جای اینکه مواد خام را مثل زباله دور بیندازید، آن ها را بازیافت کنید.



ابزار بادی، قطعات و بسته بندی باید برای بازیافت سازگار با محیط زیست دسته بندی شود.

اجزای پلاستیکی برای بازیافت طبقه بندی شده برچسب گذاری می شوند. این دستورالعمل ها روی کاغذ بازیافت شده تولید شده بدون کالر چاپ می شوند.

CROWN warranty

The warranty for **CROWN** tool is provided according to the laws and specific features of each country. In case the legislation doesn't provide the terms of warranty service, they will be defined by the trade representative which is engaged in our products sales. You can find the information about the trade representatives on our site www.crown-tools.com.

The beginning of the warranty period is the date of sale of the tool through the trading company (acknowledgement - correctly filled warranty coupon in points A, B, C, as well presence of the receipt or the substituting).

The producer doesn't incur the responsibility for warranty and after sales service if he is not appearing as a seller of the tool in the territory of your country.

Warranty service

For the realization of warranty service it is necessary to contact the company which has sold you the tool or the nearest service centre which carries out the reparation of **CROWN** tools.

When the tool is brought to the service centre or trading organization, it is necessary for you to give the tool in the pure state with defect description, in original packing, with the manual instruction and the warranty - service book with the filled warranty coupon in points A, B, C, as well the receipt or the substituting, that confirms the date of purchase of the tool.

If after malfunction check it appears that the given malfunction has occurred because of the producer, the warranty service will be provided.

In case malfunction has occurred because of the user, the cost of services for tool repair works is transmitted to the user.

Terms of execution of works depend on complexity of elimination of the reason of the defect and are defined

by the trade representative or the service centre which has accepted the tool for repair works.

Warranty service is not provided in cases:

- Uses of the tool for purposes, not provided by the manual instruction;
 - Absence of:
 - Correctly filled guarantee coupon in points A, B, C, the receipt confirming date of purchase and guarantee period or other substituting document;
 - Manual instructions, labels on the tool with serial number of the producer;
 - Natural wear of mechanisms and assemblies having the limited period of working capacity;
 - Preventive maintenance and replacement of fast wear details (more detailed information can be received in the **CROWN** service centres working in your country);
 - Overload or a heavy use which consequence are:
 - Simultaneous failure of one or more hardware parts and assemblies functionally connected with the system;
 - Burning, charring, melting due to excessive internal temperatures of hardware (heating elements, switches, wiring, housings);
 - Mechanical damages, presence of foreign objects in the appliance;
 - Dismantling and repair work which has been not carried out by **CROWN** experts.
- The warranty is not valid for consumables and accessories which partly belong to the scope of supplies.
- In case of use the tool with industrial purposes the terms of warranty service can be reduced.

Date « ____ » _____ 20 ____

Signature _____

CROWN garantie

La garantie des outils **CROWN** est conforme aux réglementations et exigences nationales spécifiques. Si la juridiction nationale ne définit aucune règle pour la prestation de service relatif à la garantie, elles seront déterminées par le représentant commercial distributeur de nos produits. Les informations sur nos représentants commerciaux sont disponibles à www.crown-tools.com.

Le début de la période de garantie est la date de vente par la société commerciale (dont la confirmation est le formulaire de garantie correctement rempli aux points A, B et C, ainsi que le bulletin de vente ou son équivalent).

Le fabricant n'assume aucune responsabilité de la garantie, ni de service après-vente s'il n'apparaît pas comme un vendeur de l'outil sur le territoire de votre pays.

Services de garantie

Pour la prestation des services de garantie il faut s'adresser au vendeur ou au centre de service après-vente **CROWN** le plus proche.

L'outil doit être remis au centre de service après-vente ou au vendeur dans un état impeccable, avec la description écrite des défauts survenus, emballage original, notice d'emploi, livre de service, formulaire de garantie correctement rempli aux points A, B et C, ainsi que le bulletin de vente ou son équivalent, comprenant la date de vente de l'outil.

Si la vérification démontre que le fabricant est responsable du défaut survenu, la réparation sous garantie sera réalisée.

Si le défaut est la conséquence de l'utilisation inappropriée, les frais de réparation seront à la charge de l'utilisateur.

Le délai de réparation dépend de la nature du défaut rencontrée, et c'est le représentant commercial ou le centre de service après-vente qui le détermine.

Les services de garantie ne seront pas réalisés dans les cas suivants:

- Utilisation de l'outil inappropriée, non-prévue par la notice d'emploi;
- Manque de:
 - Formulaire de garantie correctement rempli aux points A, B et C, bulletin de vente (ou équivalent) comprenant la date de vente et la période de garantie;
 - Notice d'emploi, étiquettes avec le numéro de série du fabricant;
- Usure normale des mécanismes et des sous-ensembles limitée à leurs capacité de travail;
- Maintenance préventive et remplacement des pièces d'usure rapide (plus d'informations disponibles au centre de service après-vente **CROWN** local);
- Surcharge ou utilisation trop intensive, dont les conséquences sont:
 - Détérioration simultanée d'une ou plusieurs pièces de l'outil ou des sous-ensembles liés de manière fonctionnelle au système;
 - Brûlure, carbonisation, fusion dues à la température intérieure excessive (éléments chauffants, interrupteurs, câblage, boîtier);
 - Détériorations mécaniques, présence de corp étranger à l'intérieur de l'outil;
 - Démontage et réparations réalisées par des personnes autres que le personnel qualifié de **CROWN**.

La garantie n'est pas valable pour les pièces d'usures normales ni pour les accessoires fournis avec l'outil. Dans le cas d'utilisation industrielle de l'outil les conditions de la garantie peuvent être modifiées.

Date « ____ » _____ 20 ____

Signature _____

Garantía CROWN

La garantía de las herramientas **CROWN** viene proporcionada según las leyes y las normativas específicas de cada país. En caso de que la legislación no prevea los términos del servicio de garantía, ellos serán definidos por el representante comercial contratado para la distribución de nuestros productos. Todas las informaciones sobre los representantes comerciales **CROWN** se pueden encontrar en nuestra página web www.crown-tools.com.

La fecha de venta de la herramienta, indicada en el comprobante de compra que viene emitido por parte de la empresa distribuidora, establece el comienzo del período de garantía (viene reconocida solo (sólo) si el cupón de garantía está correctamente relleno en los puntos A, B, C y si está presente el recibo fiscal o el comprobante de compra que verifique la fecha de venta).

La empresa productora no es responsable de la garantía y del servicio post venta, si ella no aparece como una distribuidora directa de las herramientas **CROWN** en el territorio de su país.

Servicio de garantía

Para la utilización del servicio de garantía es necesario contactar con la empresa que ha vendido la herramienta o contactar al centro de asistencia autorizado más cercano que realice las reparaciones de las herramientas **CROWN**.

Cuando la herramienta viene llevada al centro de asistencia técnica o a su revendedor autorizado es necesario que sea en un estado conforme, adentro del embalaje original, acompañada por el formulario de reparación en garantía (indicando la descripción del defecto), por el manual de instrucciones y por la garantía (certificado de garantía con el cupón relleno en los puntos A, B, C y acompañado por el recibo fiscal o por el comprobante de compra que confirme la fecha de compra de la herramienta).

Si, después de la comprobación del mal funcionamiento de parte del servicio de asistencia técnica autorizado, resulta que el daño es debido a un defecto de producción, el servicio de garantía será activado.

En caso de que el mal funcionamiento encontrado haya ocurrido debido al usuario, el coste del servicio de reparación de la herramienta será a cargo del mismo usuario.

La duración de los trabajos de reparación depende de la complejidad y tipología del defecto y es definido por la empresa o el centro de asistencia técnica encargada de la reparación de la herramienta.

El servicio de garantía no viene proporcionado en caso de:

- Utilización de la herramienta para fines distintos de aquellos indicados en el manual de instrucciones;
- Ausencia de:
 - Cupón de garantía correctamente relleno en los puntos A, B, C, el recibo u otro comprobante de compra que confirme la fecha de compra y el período de validez de la garantía;
 - Manual de instrucciones y etiqueta por encima de la herramienta que indique el número de serie del productor;
- Desgaste ordinario de los mecanismos y componentes que tienen vida limitada;
- Mantenimiento y sustitución de piezas sujetas a un rápido consumo (informaciones más detalladas pueden encontrarse en los centros de asistencia técnica **CROWN** de su país);
- Cargas o sobrecarga excesivas que conducen a:
 - Fallos simultáneos de una o más piezas de los aparatos;
 - Quemaduras, carbonización, fundición debidas a temperaturas excesivas internas de los aparatos (reóstatos, interruptores, cables, cuerpos);
 - Daños mecánicos debidos a la presencia de cuerpos extraños en el interior de la herramienta;
 - Desmontaje y trabajos de reparación no realizados por expertos de **CROWN**.

La garantía no tiene validez para bienes consumibles y accesorios que se encuentran en los embalajes de las herramientas.

En caso de un uso industrial de la herramienta, los términos del servicio de garantía pueden ser reducidos.

Fecha « ____ » _____ 20 ____

Firma _____

Garantia CROWN

A garantia das ferramentas **CROWN** é fornecida de acordo com as leis e características específicas de cada país. No caso da legislação não fornecer os termos do serviço de garantia, estes serão definidos pelo representante da marca responsável pela venda dos nossos produtos. Pode encontrar informação acerca dos representantes da marca no nosso website www.crown-tools.com.

O início do período da garantia é a data da venda da ferramenta pelo representante da empresa (conhecimento - preenchimento correcto do cupão da garantia nos pontos A, B, C, bem como a presença do recibo ou um documento substituto).

O fabricante não se responsabiliza pela garantia e pelo serviço pós-venda se ele não aparecer como o vendedor da ferramenta no seu país.

Serviço da garantia

Para proceder à realização do serviço da garantia, é necessário contactar a empresa que lhe vendeu a ferramenta, ou o centro de reparação mais próximo, que efectue a reparação de ferramentas **CROWN**.

Quando a ferramenta é levada ao centro de reparação ou à empresa de venda, é necessário que lhes forneça a ferramenta no seu estado puro, com uma descrição do defeito, na sua caixa original, com o manual de instruções e a garantia - livro de reparação com o cupão da garantia preenchido nos pontos A, B, C, bem como o recibo ou um documento substituto que confirme a data da compra da ferramenta.

Se, após a verificação do mau funcionamento, parecer que este ocorreu devido ao fabricante, o serviço da garantia será accionado.

No caso de um mau funcionamento da responsabilidade do utilizador, o custo da reparação da ferramenta será transmitido ao utilizador.

Os termos da execução dos trabalhos depende da complexidade da eliminação da razão do defeito e

são definidos pelo representante da empresa ou o centro de reparação que aceitou a ferramenta para ser reparada.

O serviço da garantia não é fornecido nos seguintes casos:

- A utilização da ferramenta com intuítos não indicados no manual de instruções;
 - A ausência de:
 - O cupão da garantia devidamente preenchido nos pontos A, B, C, o recibo a confirmar a data da compra e o período da garantia, ou outro documento de substituição;
 - O manual de instruções, etiquetas na ferramenta com o número de série do fabricante;
 - Desgaste natural dos mecanismos e montagens, respectivo ao período da capacidade de funcionamento;
 - Manutenção preventiva e substituição de peças de desgaste rápido (pode obter mais informações através dos centros de reparação **CROWN** existentes no seu país);
 - Sobrecarga ou uso abusivo em que as consequências sejam:
 - Falha simultânea de uma ou mais peças e montagens ligadas ao sistema;
 - Queimaduras, derretimento devido às temperaturas internas excessivas das peças (elementos de aquecimento, interruptores, fios, estrutura);
 - Danos mecânicos, presença de objectos estranhos no aparelho;
 - Trabalhos de desmontagem e de reparação que não sejam efectuados por profissionais **CROWN**.
- A garantia não é válida para consumíveis e acessórios que pertençam em parte aos abastecimentos.
- No caso de uso da ferramenta com intuítos industriais, os termos do serviço da garantia podem ser reduzidos.

Data « ____ » _____ 20 ____

Assinatura _____

CROWN garanti kořulları

CROWN aletleri için garanti kořulları, her ülkenin yasalarına ve kendine özgü şartlarına göre sağlanır. Mevzuatın garanti servisi için gerekli şartları sağlama-ması durumlarında,bu şartlar ürünlerimizin satışı- nı yapan ticari temsilcimiz tarafından belirlenecektir. Ticari temsilcilerimiz hakkında www.crown-tools.com adresindeki sitemizden bilgi alabilirsiniz.

Garanti sürecinin başlangıcı ticaret şirketi ile aracılığı ile satıldığı tarihtir (onay - A,B,C noktalarının doğru olarak doldurulduğu garanti kuponu veya fatura belgesidir).

Üretici eđer ülkenizin yer aldığı bölgede aletin satıcısı olarak bulunmuyorsa, garanti ve satış sonrası hizmet için sorumluluk kabul etmemektedir.

Garanti servisi

Garanti servisinin gerçekleşmesi için,size en yakın **CROWN** aletlerinin yetkili teknik servisi ile İrtibat kurmanız gerekir.

Alet servis merkezine getirildiğinde,aleti arıza tanımlamasıyla beraber en saf haliyle,orijinal ambalajıyla,kullanım kılavuzu ve garanti belgesiyle - aletin satış tarihini gösteren A,B,C noktalarının doğru olarak doldurulmuş garanti belgesi veya nihai satış faturası - birlikte vermeniz gerekir.

Eđer arıza kontrolünden sonra mevcut arızanın üreticiden kaynaklı olduğu tespit edilirse garanti servisi sağlanacaktır.

Kullanıcı yüzünden meydana gelen arızalarda, aletin tamirat işleri için ortaya çıkan servis masrafları kullanıcıya aittir.

Arızanın onarımı şartları kusur sebebinin giderilmesinin karmaşıklığına bağlı olup,aletin tamir işini kabul eden yetkili teknik servis tarafından belirlenir.

Aşağıdaki durumlarda garanti servisi sağlanmaz:

- Aletin kullanım kılavuzunda belirtilen kořullar haricinde kullanılması;
- Aşağıdakilerin eksikliği:
 - A,B,C noktalarında doğru olarak doldurulmuş garanti belgesi veya nihai satış faturasının olmaması durumu;
 - Kullanım kılavuzları,üreticinin seri numarasını da içeren aletin üzerindeki etiketler;
- Sınırlı bir süre çalışma kapasitesi olan mekanizmaların ve montajların doğal aşınması;
- Nleyici bakım ve hızlı aşınan parçaların değişimi (daha ayrıntılı bilgi ülkenizdeki **CROWN** teknik servis merkezlerinden edinilebilir);
- Aşağıdaki gibi sonuçları olan aşırı yükleme veya ağır kullanım:

- Sisteme işlevsel olarak bağlı bir veya daha fazla donanım parçasının aynı anda bozulması;
 - Donanımda aşırı dahili sıcaklıklardan kaynaklanan yanma,kömürleşme,erime (ısıtma elamanları,şalterler,kablolar,yuvalar);
 - Mekanik hasarlar,çihazda yabancı nesnelere var olması;
 - **CROWN** uzmanları tarafından yapılmamış sökme ve tamirat işleri,girişimleri.
- Garanti kısmen kaynak kapsamına giren sarf malzemeleri ve aksesuarları kapsamamaktadır. Aletin sanayi amaçlı kullanılması durumunda garanti hizmeti şartları azaltılabilir.

Tarih « ____ » _____ 20 ____

İmza _____

CROWN гарантия

Для инструмента **CROWN** предусмотрена гарантия в соответствии с законами и специфическими особенностями каждой страны. В случае, если законодательством не предусмотрены сроки гарантийного обслуживания, их устанавливает торговое представительство, которое занимается реализацией нашей продукции. Информацию о торговых представительствах Вы сможете найти на нашем сайте www.crown-tools.com.

Началом гарантийного срока является дата продажи инструмента через торговую организацию (подтверждение - правильно заполненный гарантийный талон в пунктах А, В, С, а также наличие товарного чека или документа заменяющего его).

Производитель не берёт на себя ответственность за гарантийное и после-гарантийное обслуживание, если он же не является продавцом инструмента на территории Вашей страны.

Гарантийное обслуживание

Для осуществления гарантийного обслуживания необходимо обратиться в организацию, которая продала Вам инструмент или ближайший сервисный центр, который осуществляет ремонт инструмента **CROWN**.

При сдаче инструмента в сервисный центр или торговую организацию Вам необходимо предоставить инструмент в чистом виде с указанием дефекта, в оригинальной упаковке, с инструкцией по эксплуатации и гарантийно-сервисной книжкой с заполненным гарантийным талоном в пунктах А, В, С, а также товарным чеком или документом, заменяющим его, подтверждающим дату покупки инструмента. Если после проверки неисправности будет установлено, что данная неисправность произошла по вине производителя, будет произведено гарантийное обслуживание.

В случае, если неисправность произошла по вине пользователя, стоимость услуг по ремонту инструмента перенимает на себя пользователь.

Сроки выполнения работ зависят от сложности устранения причины дефекта и устанавливаются торговым представительством или сервисным центром, который принял инструмент в ремонт.

Гарантийное обслуживание не производится в случаях:

- использования инструмента в целях, не предусмотренных инструкцией по эксплуатации;
- отсутствия:
 - правильно заполненного гарантийного талона в пунктах А, В, С, товарного чека подтверждающего дату покупки и срок гарантии или другого документа заменяющего его;
 - инструкции по эксплуатации, наклейки на инструменте с серийным номером завода изготовителя;
 - естественного износа механизмов и узлов, имеющих ограниченный период работоспособности;
 - профилактики и замены быстроизнашиваемых деталей (более подробную информацию можно получить в сервисных центрах **CROWN**, работающих в Вашей стране);
- перегрузки или интенсивного использования, следствием которых являются:
 - одновременный выход из строя одного или более функционально связанных деталей и узлов;
 - сгорание, обугливание, оплавление под воздействием высокой внутренней температуры деталей (нагревательные элементы, кнопки, провода, корпуса);
 - механических повреждений, наличия внутри инородных предметов;
 - вскрытия, а также ремонта, который был произведён не специалистами **CROWN**.

Гарантия не распространяется на расходные материалы и принадлежности, которые частично входят в комплект поставки.

В случае использования инструмента в производственных целях сроки гарантийного обслуживания могут быть сокращены.

Дата « ____ » _____ 20 ____

Подпись _____

CROWN гарантія

Для інструменту **CROWN** передбачена гарантія відповідно до законів і специфічних особливостей кожної країни. У випадку, якщо законодавством не передбачені терміни гарантійного обслуговування, їх встановлює торгове представництво, яке займається реалізацією продукції. Інформацію про торгові представництва Ви зможете знайти на нашому сайті www.crown-tools.com.

Початком гарантійного терміну є дата продажу інструменту через торгову організацію (підтвердження - правильно заповнений гарантійний талон в пунктах А, В, С, а також наявність товарного чека або документа, що замінює його).

Виробник не бере на себе відповідальність за гарантійне і післягарантійне обслуговування, якщо він же не є продавцем інструменту на території Вашої країни.

Гарантійне обслуговування

Для здійснення гарантійного обслуговування необхідно звернутися в найближчий сервісний центр, який здійснює ремонт інструменту **CROWN** або організацію, яка продала Вам інструмент.

При здачі інструменту в сервісний центр або торгову організацію Вам необхідно надати інструмент в чистому вигляді з вказівкою дефекту, в оригінальній упаковці, з інструкцією з експлуатації, і гарантійно-сервісною книжкою із заповненим гарантійним талоном в пунктах А, В, С, а також товарним чеком або документом, що замінює його, підтверджуючим дату покупки інструменту.

Якщо після перевірки несправності буде встановлено, що дана несправність сталася з вини виробника, буде проведено гарантійне обслуговування.

У випадку, якщо несправність сталася з вини користувача, вартість послуг з ремонту інструменту переймає на себе користувач.

Терміни виконання робіт залежать від складності усунення причини дефекту і встановлюються

торговим представництвом або сервісним центром, який прийняв інструмент в ремонт.

Гарантійне обслуговування не проводиться у випадках:

- використання інструменту в цілях, не передбачених інструкцією з експлуатації;
- за відсутності:
 - правильно заповненого гарантійного талона в пунктах А, В, С, товарного чека підтверджуючого дату покупки і термін гарантії або іншого документа, що замінює його;
 - інструкції з експлуатації, наклейки на інструменті з серійним номером заводу-виробника;
- природного зносу механізмів і вузлів, що мають обмежений період працездатності;
- профілактики і заміни швидкозношуваних деталей (докладнішу інформацію можна отримати в сервісних центрах **CROWN**, що працюють у Вашій країні);
- перевантаження або інтенсивного використання, наслідком яких є:

- одночасний вихід з ладу однієї або більше функціонально пов'язаних деталей і вузлів;
- згорання, обвуглювання, оплавлення під впливом високої внутрішньої температури деталей (нагрівальні елементи, кнопки, дроти, корпуси);
- механічних пошкоджень, наявності усередині чужорідних предметів;
- розбору, а також ремонту, який був проведений не фахівцями **CROWN**.

Гарантія не розповсюджується на витратні матеріали і приладдя, яке частково входить в комплект постачання.

У разі використання інструменту у виробничих цілях терміни гарантійного обслуговування можуть бути скорочені.

Дата «__» _____ 20__

Підпис _____

CROWN кепілдігі

CROWN құралына берілетін кепілдік әр елдің заңдары мен ерекше ережелеріне сай келеді. Кепілдікті қызмет көрсету шарттары заңнамада анықталмаған болса, оларды біздің өнімді сататын сауда өкілі анықтайды. Сауда өкілдері туралы ақпаратты біздің сайтта таба аласыз: www.crown-tools.com.

Құралды сауда компаниясы арқылы сатылған күн кепілдікті мерзімнің басталуы деп есептеледі (растама кепілдікті купонында А, В, С бөлімдерін дұрыс толтыру, сондай-ақ түбіртек немесе оның орнына қолданылатын құжаттың бар болуы). Өндірушінің ол еліңізде құралды сатушы ретінде шықпаса, кепілдік және сатылғаннан кейін көрсетілетін қызмет жайында жауапкершілігі жоқ.

Кепілдікті қызмет көрсету

Кепілдікті қызмет алу үшін құралды сатқан компанияға немесе **CROWN** құралды жөндейтін ең жақын қызмет орталығына хабарласыңыз.

Құралды қызмет орталығына немесе сауда мекемесіне апарып бергенде, құралды таза күйінде, ақаулық сиппатамасын қосып, өз қорабында, пайдаланушы нұсқауы және А, В, С бөлімдері толтырылған кепілдікті купоны бар кепілдік қызмет кітапшасын, сондай-ақ құралды сатып алған күнді растайтын түбіртек немесе оның орнына қолданылатын құжатты алып келу қажет.

Егер ақаулықты тексергеннен кейін ол ақаулықты өндіруші жіберді деп анықталса, кепілдікті қызмет көрсетіледі.

Ақаулық пайдаланушы кесірінен болса, құралды жөндеу шығындарын пайдаланушы өтейді.

Жұмыс жасау шарттары ақаулықтың себебін жою қиындылығына байланысты және оны сауда өкілі

немесе құралды жөндеуге алған қызмет орталығы белгілейді.

Кепілдікті қызмет келесі жағдайларда көрсетілмейді:

- құралды пайдаланушы нұсқаулығында көрсетілмеген мақсаттармен қолдану;
 - келесі талаптардың жоқтығы:
 - А, В, С бөлімдері дұрыс толтырылған кепілдікті купон, құралды сатып алған күнді және кепілдік мерзімін растайтын түбіртек немесе оның орнына қолданылатын құжат;
 - пайдаланушы нұсқаулығы, құралдағы сериялық нөмірі бар өндірушінің заттаңбасы;
 - қызмет көрсетудің мерзімі шектелген механизмдер мен құрастырулардың табиғи тозуы;
 - тез тозатын бөлшектерге профилактикалық қызмет көрсету және ауыстыру (көбірек ақпаратты еліңізде жұмыс жасайтын **CROWN** қызмет орталықтарында алуға болады);
 - төменде көрсетілген жағдайларға әкелетін шамадан тыс немесе қарқынды қолдану:
 - жүйеге қызметті қосылған бір немесе одан көп құрылғы бөлшектері мен тетіктердің кенет бұзылуы;
 - құрылғының шамадан тыс ішкі температурасынан пайда болатын өртену, күйу, еру (қыздыру элементтері, ажыратқыш, электр сымдары, ұяшықтар);
 - механикалық бұзылу, құрылғы ішінде бөтен заттардың пайда болуы;
 - **CROWN** сарапшылары жасамаған демонтаж және жөндеу жұмыстары.
- Кепілдік жабдықтар көлеміне жартылай жататын жұмсау материалдары мен жарақаттарға тарамайды.
- Құралды өнеркәсіпті мақсатпен пайдаланған кезде кепілдікті қызмет көрсету шарттары шектелуі мүмкін.

Күні «___» _____ 20___

Қолы _____

لا تتوفر خدمة الضمان في الحالات التالية:

- استخدام الأداة لأغراض غير منصوص عليها في دليل الإرشادات
- عدم وجود:
- قسيمة الضمان المكتوبة ببيانات صحيحة في النقاط "أ" و"ب" و"ج" والإيصال الذي يؤكد تاريخ الشراء وفترة الضمان أو المستند البديل.
- دليل الإرشادات والملصقات الموجودة على الأداة مع الرقم التسلسلي للمنتج.
- تلف الأجزاء الميكانيكية والمجموعات التي لها سعة عمل ذات فترة محدودة بصورة طبيعية.
- يمكن الحصول على المزيد من المعلومات التفصيلية عن الصيانة الوقائية واستبدال الأجزاء المتهاكلة في مراكز صيانة CROWN الموجودة في بلدك.
- الحمل الزائد أو الاستخدام الكثيف الذي يتسبب في:
- العطل الفوري الذي يلحق بمكون واحد أو أكثر من مكونات الجهاز ووظائف المجموعات المتعلقة بالجهاز.
- حدوث حروق أو تفحم أو انصهار بسبب درجات الحرارة الداخلية الزائدة التي يتعرض لها الجهاز (زيادة درجة حرارة الأجزاء أو المفاتيح أو الأسلاك أو التجاويف).
- تلف ميكانيكي أو وجود أجسام غريبة داخل الجهاز.
- أعمال الفك والإصلاح التي لا يقوم بها خبراء CROWN.
- لا يُعد الضمان ساريًا على الأجزاء المستهلكة والملحقات التي تنتمي جزئيًا إلى نطاق المستلزمات.
- ستقل مدة خدمة الضمان في حالة استعمال الأداة لأغراض صناعية.

يُوفّر ضمان أداة CROWN وفق القوانين والميزات الخاصة بكل بلد. إذا لم توفر التشريعات شروطًا لخدمة الضمان، فسيحددها المندوب التجاري المعنى بمبيعات منتجاتنا. يمكنك العثور على معلومات عن المندوبين التجاريين على موقعنا على الإنترنت www.crown-tools.com.

تبدأ فترة الضمان من تاريخ بيع الأداة من خلال الشركة التجارية (الإقرار – قسيمة الضمان المكتوبة ببيانات صحيحة في النقاط "أ" و"ب" و"ج" بالإضافة إلى الإيصال أو المستند البديل). لا يتحمل المنتج المسؤولية عن الضمان ولا يتحمل أي مسؤولية متعلقة بخدمة ما بعد البيع إذا لم يكن هو من يبيع الأداة في بلدك.

خدمة الضمان

للحصول على خدمة الضمان، من الضروري الاتصال بالشركة التي باعت لك الأداة أو بأقرب مركز صيانة يقوم بأعمال إصلاح أدوات CROWN. عند إحضار الأداة إلى مركز الصيانة أو المؤسسة التجارية، من الضروري أن تسلّم الأداة كاملة في عبوتها الأصلية مع وصف العطل، بالإضافة إلى كتيب الإرشادات والضمان – كتاب الصيانة مع قسيمة الضمان المكتوبة في النقاط "أ" و"ب" و"ج"، بالإضافة إلى الإيصال أم المستند البديل الذي يؤكد تاريخ شراء الأداة إذا تبين بعد الانتهاء من فحص العطل أن العطل قد حدث بسبب المنتج، فسيتم تقديم خدمة الضمان.

وفي حالة حدوث العطل بسبب المستخدم، فسيتمثل المستخدم تكاليف الخدمات التي تُجرى من أجل إصلاح الأداة. تتوقف مدة تنفيذ الأعمال على مدى تعقيد التخلص من سبب العطل ويحددها المندوب التجاري أو مركز الصيانة الذي قبل الأداة لإجراء أعمال الإصلاح عليها.

" " _____ 20 _____

التاريخ

التوقيع

- خدمات ضمانت در این موارد ارائه نمی شود:
- استفاده از ابزار برای هدف هایی که در دفترچه راهنما ذکر نشده است:
 - عدم وجود:
 - کوپن ضمانت که قسمت های A، B، C آن به نحو صحیح تکمیل شده باشد، رسید تأیید تاریخ خرید و مدت ضمانت یا سایر اسناد جایگزین؛
 - دستورالعمل های کارکرد، برجسب های روی ابزار یا شماره سریال تولیدکننده؛
 - فرسودگی طبیعی مکانیسم ها و مجموعه هایی که دارای ظرفیت مدت زمان کار محدود هستند؛
 - اقدامات نگهداری و تعویض پیشگیرانه از اقلام با فرسودگی سریع (در مراکز خدمات CROWN که در کشور شما کار می کنند، می توانید اطلاعات بیشتر را دریافت کنید)؛
 - استفاده زیاد یا سنگین از ابزار که این نتایج را در پی دارد:
 - مشکل همزمان در یک یا چند قطعه سخت افزاری و عملکرد مجموعه های متصل به سیستم؛
 - سوختن، نیم سوز شدن، ذوب شدن به دلیل دماهای داخلی بسیار بالای سخت افزار (اجزای حرارتی، سونچ ها، سیم کشی و محفظه ها)؛
 - آسیب های مکانیکی، وجود اشیای خارجی در دستگاه؛
 - پیاده سازی و تعمیراتی که توسط کارشناسان CROWN انجام نشود.
- ضمانت برای لوازم جانبی و قطعات مصرفی که تا حدی زیرمجموعه ملزومات مصرفی قرار می گیرند، معتبر نیست.
- در صورت استفاده از ابزار با اهداف صنعتی، شرایط خدمات ضمانت ممکن است کاسته شود.

ضمانت ابزار CROWN طبق قوانین و ویژگی های خاص هر کشور ارائه می شود. در صورتی که شرایط ضمانت در قانون وجود نداشته باشد، این شرایط توسط نماینده فروش مشغول در بخش فروش محصول ما تعیین می شود. می توانید اطلاعات مربوط به نماینده های فروش را در www.crown-tools.com ما پیدا کنید.

تاریخ فروش ابزار از طریق شرکت مسئول فروش (شرایط: کوپن ضمانت تکمیل شده به نحو صحیح در قسمت های A، B، C و همچنین ارسال رسید یا جایگزین آن)، شروع دوره ضمانت محسوب می شود.

اگر تولیدکننده به عنوان فروشنده ابزار در کشور شما محسوب نشود، هیچ گونه مسئولیتی را در خصوص ضمانت و خدمات پس از فروش نمی پذیرد.

خدمات ضمانت

برای آگاهی از سرویس ضمانت، باید با شرکتی که ابزار را به شما فروخته است یا نزدیک ترین مرکز خدماتی که اقدامات مربوط به ابزار های CROWN را بر عهده دارد، تماس بگیرید.

وقتی می خواهید ابزار را به مرکز خدمات یا سازمان مسئول فروش ارسال کنید، باید ابزار در وضعیت اصلی خود همراه با توضیحی درباره عیب و نقص، در بسته بندی اصلی با دستورالعمل های کارکرد و کتابچه خدمات ضمانت ارائه شود همچنین کوپن ضمانت باید در قسمت های A، B، C تکمیل شده و رسید یا جایگزین آن نیز برای تأیید تاریخ خرید ابزار ارائه شود.

اگر بعد از بررسی عیب و نقص مشخص شود که علت اصلی تولیدکننده است، خدمات ضمانت ارائه می شود.

در صورتی که عیب و نقص ناشی از خود کاربر باشد، هزینه خدمات تعمیر ابزار بر عهده خود کاربر می باشد.

شرایط اجرای تعمیرات به بنچیدگی حذف دلیل عیب و نقص بستگی دارد و توسط نماینده فروش یا مرکز خدماتی که ابزار را برای تعمیر قبول کرده است، تعیین می شود.

تاریخ

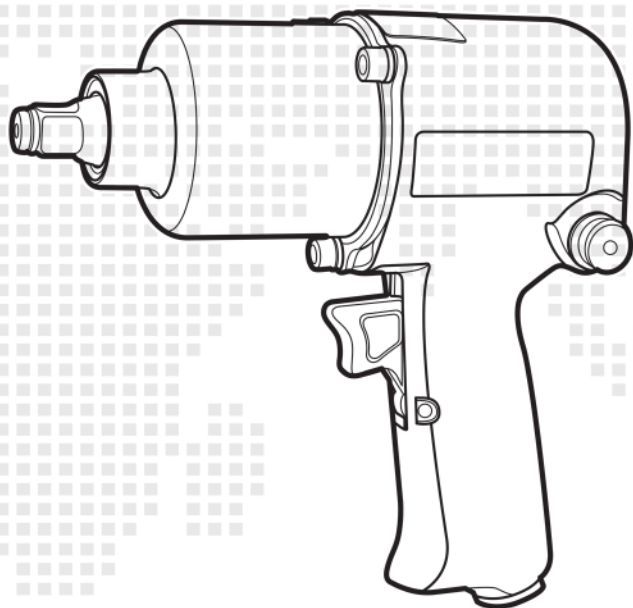
" " _____ 20 _____

امضا

CROWN

TOOLS FOR A BETTER LIFE

- CT38112
- CT38113
- CT38115
- CT38114
- CT38085
- CT38116
- CT38083
- CT38084



en Warranty card and service cards

fr Garantie coupon et cartes de service

es Tarjetas de mantenimiento y cupón de garantía

pt Cupão da garantia e cartões de reparação

tr Garanti kuponu ve servis kartları

ru Гарантийный талон и сервисные талоны

ua Гарантійний талон і сервісні талони

kz Гарантиялы талон және қызмет көрсету карталары

ar بطاقات الضمان و بطاقات الصيانة

fa کوپن ضمانت


Warranty Card

	A CT	
	B	
	C	
	« ____ » _____ 20 _____	

i	A	B	C	Service Card No.: I, II, III, IV
	[CT / Ser. No.:]			
DE	Modell / Seriennummer	Verkaufsstelle	Garantiefrist (Monat) und Verkaufsdatum	Nur für Service Centres
EN	Model / Serial number	Trading company	Warranty period (month) and sale date	For service centres only
FR	Modèle / Numéro de série	Revendeur	Période de garantie (mois) et date de vente	Uniquement pour les centres assistance
IT	Modello / Numero di serie	Impresa commerciale	Periodo (mese) e data d'acquisto	Solo per centri assistenza
ES	Modelo / Numero de serie	Empresa comercial	Periodo de garantía (mes) y fecha de venta	Solo para centro de asistencia técnica
PT	Modelo / Número de série	Empresa de revenda	Periodo da garantia (mês) e data da venda	Apenas para centros de reparação
BR	Modelo / Número de série	Empresa de revenda	Periodo da garantia (mês) e data da venda	Apenas para centros de reparação
FI	Malli / Sarjanumero	Jälleenmyyjä	Takuu aika (kuukautta) ja ostopäivä	Vain huoltoliikkeille
SV	Modell / Seriennummer	Återförsäljare	Garanti period (månader) och försäljningsdatum	Endast för servicecenter
DA	Model / Seriennummer	Handelsfirma	Garanti periode (måned) og salgsdato	Kun for servicecentre
NL	Model / Seriennummer	Handelsbedrijf	Garantieperiode (maanden) en verkoopdatum	Alleen voor servicecentra
TR	Model / Seri no	Ticaret şirketi	Garanti periyodu (ay) ve satış tarihi	Sadece servis merkezleri için
PL	Model / Numer seryjny	Firma handlowa	Termin gwarancji (miesiąc) i data sprzedaży	Tylko dla centrów serwisowych
CS	Typ / Výrobní číslo	Obchodní společnost	Záruční lhůta (měsíců) a datum prodeje	Pouze pro servisní střediska
SK	Typ / Výrobné číslo	Obchodná spoločnosť	Záručná lehota (mesiacov) a dátum predaja	Iba pre servisné strediská
HU	Modell / Szériaszám	Kereskedő cég	Garanciális időhossz (hónap) és a vásárlás dátuma	Csak a szervizeknek
RO	Model / Număr de înregistrare	Vanzator	Perioada de garanție (luna) și data vânzării	Numai pentru centrele service
SR	Model / Serijski broj	Trgovinska kompanija	Garantni period (mesec) i datum prodaje	Samo za servisne centre
HR	Model / Serijski broj	Trgovačka tvrtka	Jamstveno razdoblje (mjes.) i datum prodaje	Samo za servisne centre
BG	Модел / Сериен номер	Търговска компания	Гаранционен период (мес.) и дата на продажба	Само за сервисни центрове
GR	Μοντέλο / Αριθμός σειράς	Εμπορική εταιρεία	Περίοδος εγγύησης (μήνες) και ημερομηνία πώλησης	Μόνο για κέντρα σέρβις
RU	Модель / Сер. номер	Торговая организация	Срок гарантии (мес.) и дата продажи	Только для сервисных центров
UA	Модель / Сер. номер	Торгова організація	Термін гарантії (міс.) і дата продажу	Лише для сервісних центрів
LT	Modelis / Serijinis numeris	Prekybos kompanija	Garantinis laikotarpis (mėnesiais) ir pirkimo data	Tik aptarnavimo centrams
LV	Modelis / Sērijas numurs	Tirdzniecības uzņēmums	Garantijas periods (mēn.) un pārdošanas datums	Tikai servisa centriem
ET	Mudel / Seerianumber	Edasimüüja	Garantiiperiood (kuudes) ning ostukuupäev	Ainult remonditöökodele
ZH	型号/序列号	贸易公司	保修期(月)和销售日期	仅供服务中心
VI	Loại hình / số seri	Công ty thương mại	Thời hạn bảo hành (tháng) và ngày bán	Mục dành riêng cho trung tâm phục vụ
KZ	Моделі / Серіялық нөмірі	Сауда компаниясы	Кепілдік мерзімі (ай) және сатылған күні	Тек қызмет орталықтарына
AR	الطراز / الرقم المتسلسل	التجارة التجارية	فترة الضمان (الشهر) وتاريخ المبيع	لمراكز الصيانة فقط
FA	مدل / شماره سریال	شرکت داد و ستد	دوره ضمانت (بر حسب ماه) و دادهای فروش	فقط برای مراکز فروش


Service Card No.: I

No.: _____


 No.: II

_____ ✎

_____ ✎


 _____ ✎

« _____ » _____ 20 _____ ✎


 No.: III

_____ ✎

_____ ✎


 _____ ✎

« _____ » _____ 20 _____ ✎

 No.: IV

_____ ✎

_____ ✎

 _____ ✎

« _____ » _____ 20 _____ ✎


Service Card No.: II

No.: _____

A CT _____ ✎

_____ ✎

_____ ✎

 _____ ✎


_____ ✎


_____ ✎


C _____ ✎


_____ ✎

« _____ » _____ 20 _____ ✎

 _____ ✎

 « _____ » _____ 20 _____ ✎

 _____ ✎

 « _____ » _____ 20 _____ ✎

« _____ » « _____ » ✎


Service Card No.: IV

No.: _____

A CT _____ ✎

_____ ✎

_____ ✎

 _____ ✎

_____ ✎


_____ ✎


_____ ✎


C _____ ✎


_____ ✎

« _____ » _____ 20 _____ ✎

 _____ ✎

 « _____ » _____ 20 _____ ✎

 _____ ✎

 « _____ » _____ 20 _____ ✎

« _____ » « _____ » ✎


Service Card No.: III

No.: _____

A CT _____ ✎

_____ ✎

_____ ✎

 _____ ✎

_____ ✎


_____ ✎


_____ ✎


C _____ ✎


_____ ✎

« _____ » _____ 20 _____ ✎


 _____ ✎




 « _____ » _____ 20 _____ ✎


 _____ ✎


 « _____ » _____ 20 _____ ✎

« _____ » « _____ » ✎


No.: II 

No.:	a [No.:] 	b [min] 	c [kg] 	i
1				
2				
3				
4				
5				
6				




No.: II 


1		i
2		
3		
4		
5		
6		




No.: III 


1		i
2		
3		
4		
5		
6		


No.: IV 




1		i
2		
3		
4		
5		
6		

No.: III 

No.:	a [No.:] 	b [min] 	c [kg] 	i
1				
2				
3				
4				
5				
6				



No.: IV 

No.:	a [No.:] 	b [min] 	c [kg] 	i
1				
2				
3				
4				
5				
6				

